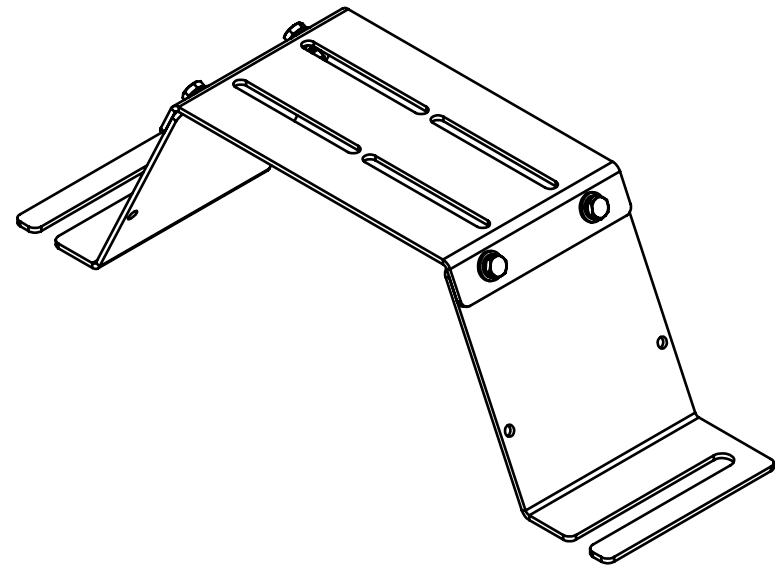


**C-B7**



**C-B33**

C-B7 HAS BEEN SUPERSEDED BY C-B33.  
THIS CREATES THE SAME FIT AND FUNCTION WITH EASIER  
INSTALLATION. WHILE MAINTAINING SUPERIOR STRENGTH.

