

# INSTALL INSTRUCTIONS C-TMW-F150-01

## HEAVY DUTY TUNNEL PLATE

### 2004-2008 FORD F-150 PICKUP (*COLUMN SHIFT ONLY*)

#### TOOLS REQUIRED:

Ratcheting wrench  
Sockets Set  
7/16" open-end wrench  
Utility knife

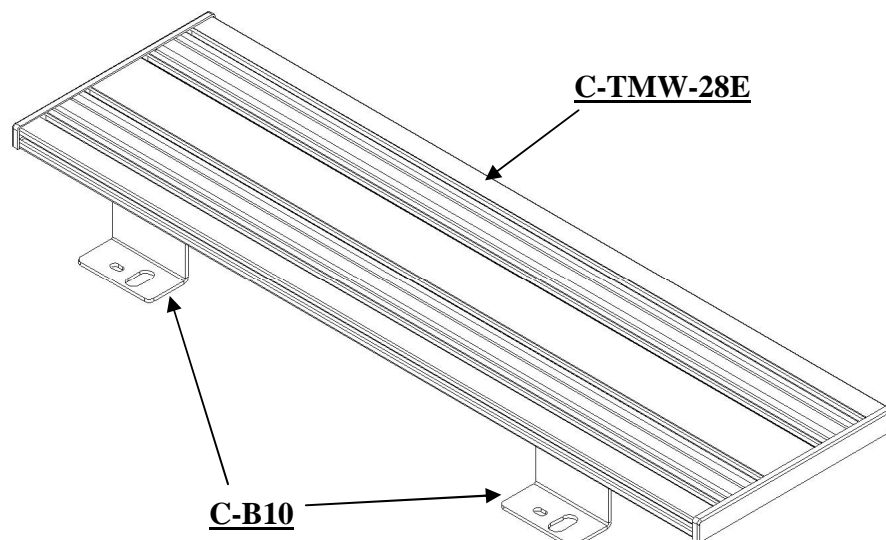
Tape measure  
Tap and Die Set  
HD Air Impact Wrench (not mandatory)

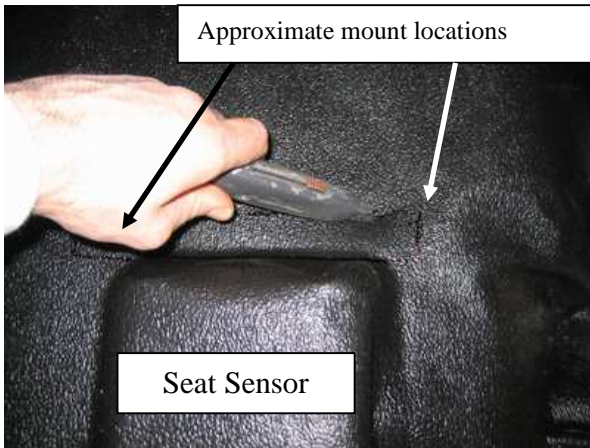
#### HARDWARE:

<u>QTY</u>	<u>DESCRIPTION</u>	<u>PART #</u>
2	Tunnel mounting brackets	C-B10
1	Tunnel Plate	C-TMW-28E
2	3/8" x 1" Thread cutting screws	GSM33302
2	1/2" x 1" Thread cutting screws	GSM33304
8	1/4" x 3/4" Hex head bolts	GSM33001
8	1/4" Serrated flange nuts	GSM30023

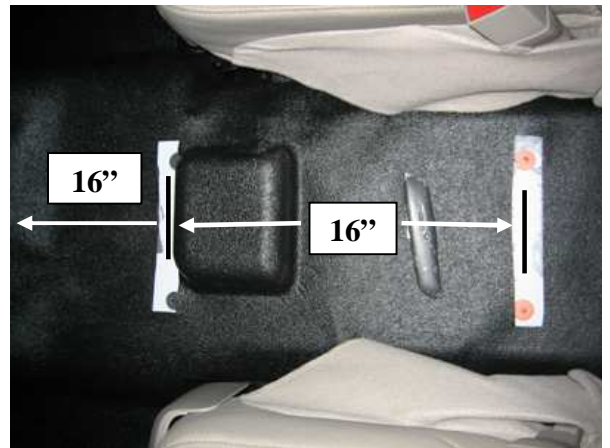
#### Always!

- Read all instructions before installing any Havis, Inc. products.
- Check for obstructions (Wire, brake lines, fuel tank, etc.) before drilling any holes!
- Use hardware provided with install kit





Measure back 16" off dashboard. Cut floor mat at this point to expose floor-mounting points for C-B10 brackets.



Measure back 16" from front mounting locations. Cut floor mat to expose mounting locations. Remove floor plugs



With the floor plugs removed, tap out the (2) forward holes with the 3/8 x 1" Thread cutting screws.



Install the C-B10 mounting brackets using the same 3/8 x 1" screws



Repeat these steps on the rear holes using the 1/2 x 1" Thread cutting bolts.



Tighten all floor hardware.



1. Slide (4) 1/4 x 3/4" hex bolts into the slide rails on bottom of tunnel
2. The bottom side is the side w/ the 1/4" slots closer to each other



Position the nuts to line up with the slots in the C-B10 brackets previously installed.



Attach the tunnel to the C-B10's using 1/4" serrated nuts. Adjust Trak to desired position and tighten hardware.



The C-TM-F150 is ready to accept equipment brackets, computer mount and accessories.