

GENERAL ASSEMBLY & INSTALLATION INSTRUCTIONS C-SERIES, C-AS-SERIES, & C-TM-SERIES CONSOLE KITS

HARDWARE: (C-HK) *(Not all hardware is used in most applications)*

<u>QTY</u>	<u>DESCRIPTION</u>	<u>PART #</u>
12	1/4" x 3/4" Hex head bolt	GSM33001B
8	1/4" x 1/2" Hex head bolt	GSM33000
4	1/4" x 3/4" Carriage bolt	GSM32000
4	1/4" x 3/4" Hex head lag	GSM33060-1
12	1/4" Hex nut	GSM30005
4	1/4" Serrated nut	GSM30023
16	1/4" Flat washer	GSM31005
6	1/4" Split lock washer	GSM31026
4	1/4" Retaining washer	GSM31322
4	1/16" Nylon spacer	CM86600

TOOLS REQUIRED:

3/16" Allen wrench	Ratcheting wrench
Standard socket set	Powered drill w/ drill bit set
Metric socket set	Open-end wrench set

Always!

- Disconnect the vehicles' battery. Removing seat bolts on some vehicles may give the vehicles computer a false reading resulting in warning lights. This requires the vehicles' computer to be reset.
- Read all instructions before installing any Havis-Shields Equipment Corp products.
- Check for obstructions (Wire, brake lines, fuel tank, etc.) before drilling any holes!
- Use hardware provided with install kit.
- For product support, visit the Install Instructions Section of our website at <http://havis.com/Installation/Installation.html>, email technicalsupport@havis.com or call 1-800-524-9900

SUB ASSEMBLY:

1. Confirm receipt of all hardware and components.
2. Remove front bolts on driver and passenger seats.
3. Loosely attach console-mounting brackets to the C-Series console following assembly drawing on page two. Assemblies will vary depending on console and trak length.
4. Determine location of Trak in relation to transmission hump bracket and assemble the two pieces following assembly drawing.

Note: When mounting the Trak to the transmission hump bracket, be aware of the different patterns of slots on each side. The side with the 1/4" slots closer together is the side that is attached to the hump bracket.

INSTALLATION OPTIONS:

1. MOUNT C-SERIES CONSOLE TO TRAK MOUNT:

- Mount hump bracket and trak assembly to vehicle. *(See specific C-TM instructions)*
- Sub-assemble console mounting brackets to console and position on trak mount.
- Slide ¼ x ¾” bolts in slide rails of trak and attach to consoles’ front mounting bracket.
- Adjust console on trak. Determine positioning before continuing.
- Attach rear console mounting bracket to vehicle. Mark and pre-drill mounting holes. Attach to vehicle using ¼” x ¾” Hex head lag bolts.

Note: Be sure to check for obstructions prior to drilling.

2. MOUNT CONTROL HEAD(s) TO TRAK:

- Attach C-3061-x (depending on application) to control head. *(Radio, siren, etc..)*
- Slide ¼ x ¾” bolts in slide rails of trak and loosely attach using ¼” serrated nuts.
- Position control head and tighten.

3. MOUNT ANGLED/STOUT SERIES CONSOLE TO TRAK MOUNT:

- Mount hump bracket and trak assembly to vehicle.
- Slide ¼ x ¾” bolts in slide rails of trak and loosely attach using ¼” serrated nuts.
- Position console and tighten.

4. MOUNT ANGLED CONSOLE TO TRANSMISSION HUMP BRACKET:

- Sub-assemble ¼” x ¾” carriage bolts w/ retaining washers to transmission hump bracket.
- Install transmission hump bracket to inner front seat bolts.
- Position console on transmission hump bracket so that carriage bolts align w/ slots in console and loosely attach ¼” serrated nuts
- Adjust console and tighten.

5. MOUNT C-SERIES CONSOLE TO TRANSMISSION HUMP BRACKET:

- Sub-assemble ¼” x ¾” carriage bolts w/ retaining washers to transmission hump bracket.
- Install transmission hump bracket to inner front seat bolts.
- Sub-assemble console mounting bracket(s) depending on particular application.
- Position console on transmission hump bracket so that carriage bolts align w/ slots in console mounting bracket(s) and loosely attach ¼” serrated nuts.
- Some applications use a rear leg that bolts to the floor of the vehicle. In this application pre-drill floor using 3/16” hole and attach leg using ¼” x ¾” lag bolt.

6. MOUNT C-SERIES CONSOLE TO FLOOR OF VEHICLE:

- Check vehicle for obstructions. (Wire harnesses, fuel lines, hoses, drive shaft, etc...)
- Sub-assemble console mounting bracket(s) depending on particular application.
- Position console, mark, & pre-drill floor of vehicle using 3/16” drill bit.
- Mount console brackets to vehicles using ¼” x ¾” lag bolts.

Note: Longer bolts may be necessary in some applications. (Not included)

7. MOUNT ANGLED SERIES/STOUT SERIES CONSOLE TO FLOOR OF VEHICLE:

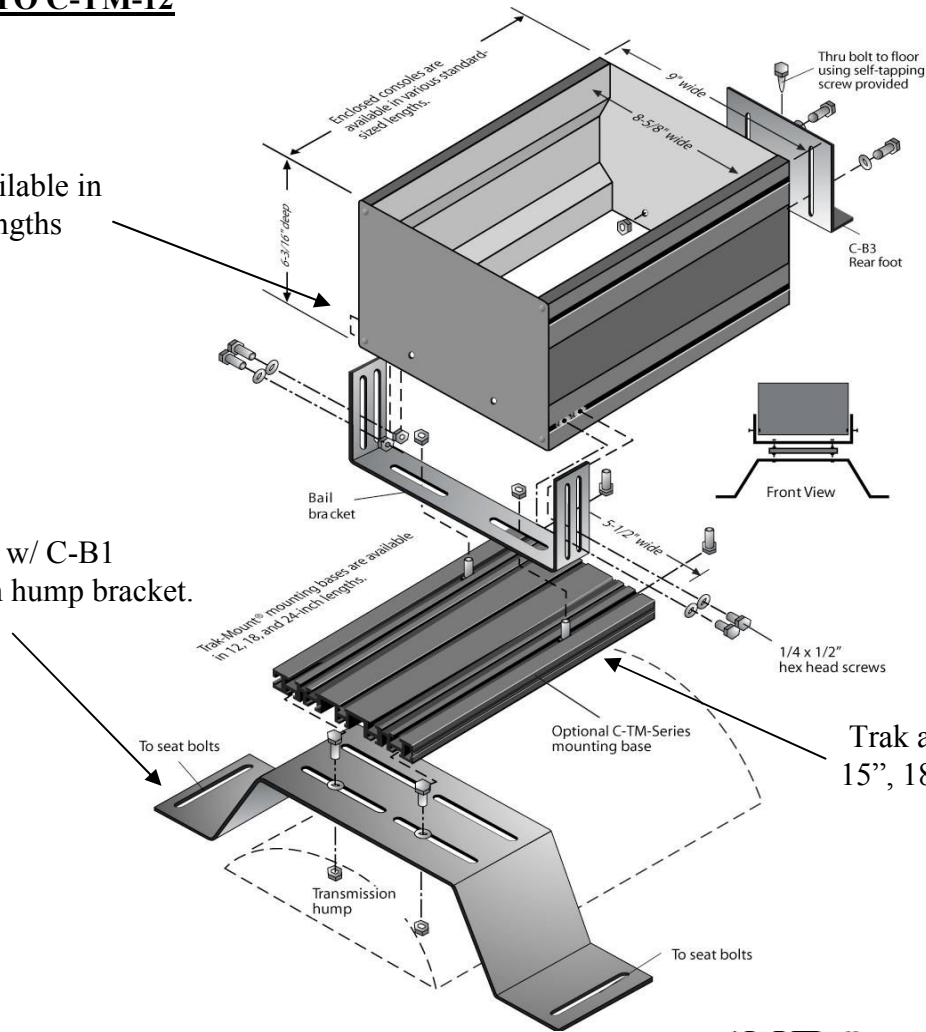
- Check vehicle for obstructions. (Wire harnesses, fuel lines, hoses, drive shaft, etc.)
- Position console, mark, & pre-drill floor of vehicle using 3/16” drill bit.
- Mount console to vehicle using ¼” x ¾” lag bolts.

Note: Longer bolts may be necessary in some applications. (Not included)

C-SERIES CONSOLE MOUNTING TO C-TM-12

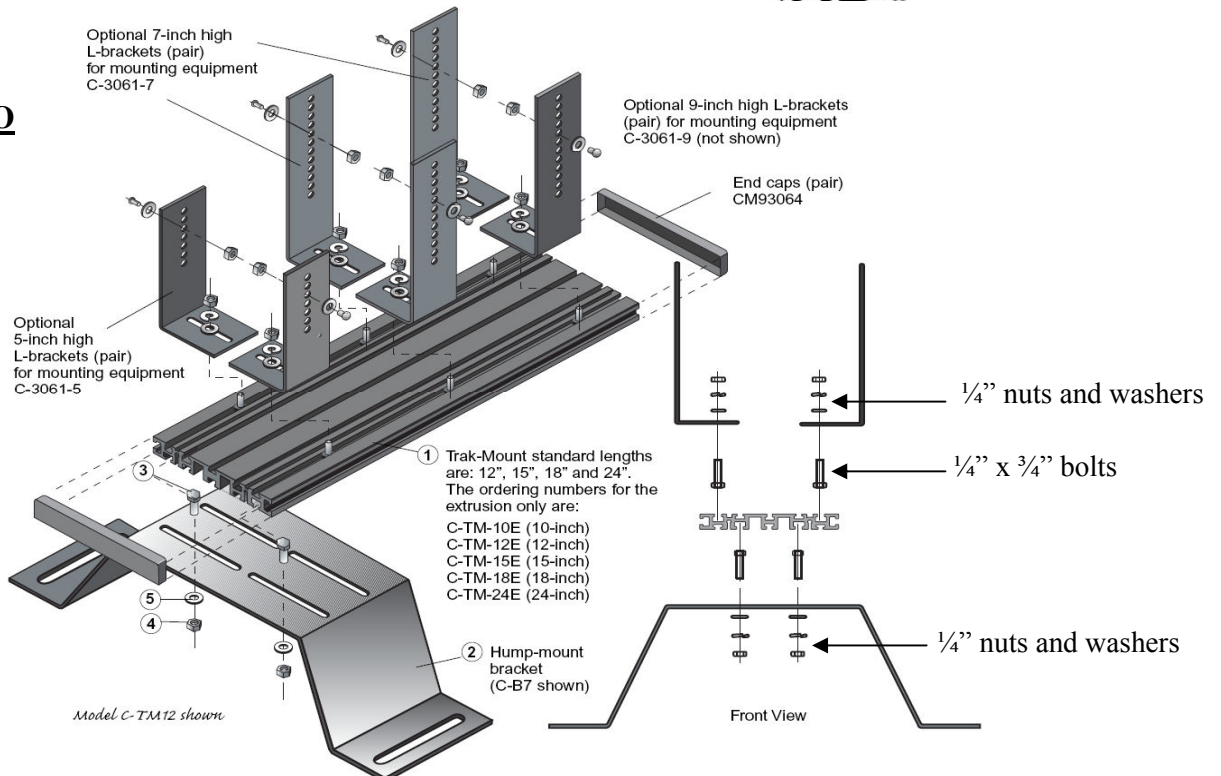
Consoles available in various lengths

Shown w/ C-B1
Transmission hump bracket.

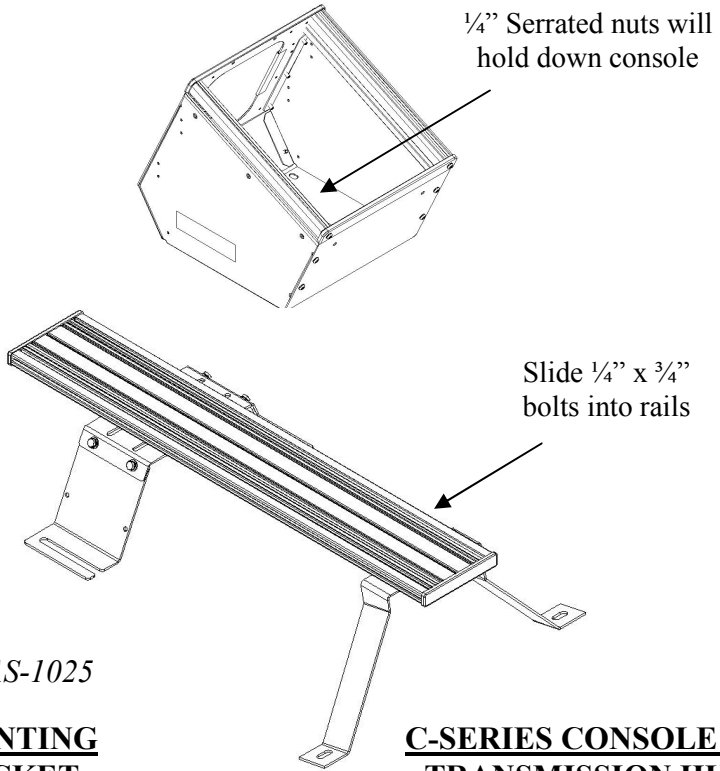


Trak available in 10\", 12\", 15\", 18\", 24\" & 32\" lengths

MOUNTING CONTROL HEAD(S) TO TRAK



ANGLED/STOUT CONSOLE MOUNTING TO FULL LENGTH TRAK-MOUNT



Shown w/ C-TM-CV & C-AS-1025

ANGLED/STOUT CONSOLE MOUNTING TO TRANSMISSION HUMP BRACKET

C-SERIES CONSOLE MOUNTING TO TRANSMISSION HUMP BRACKET

