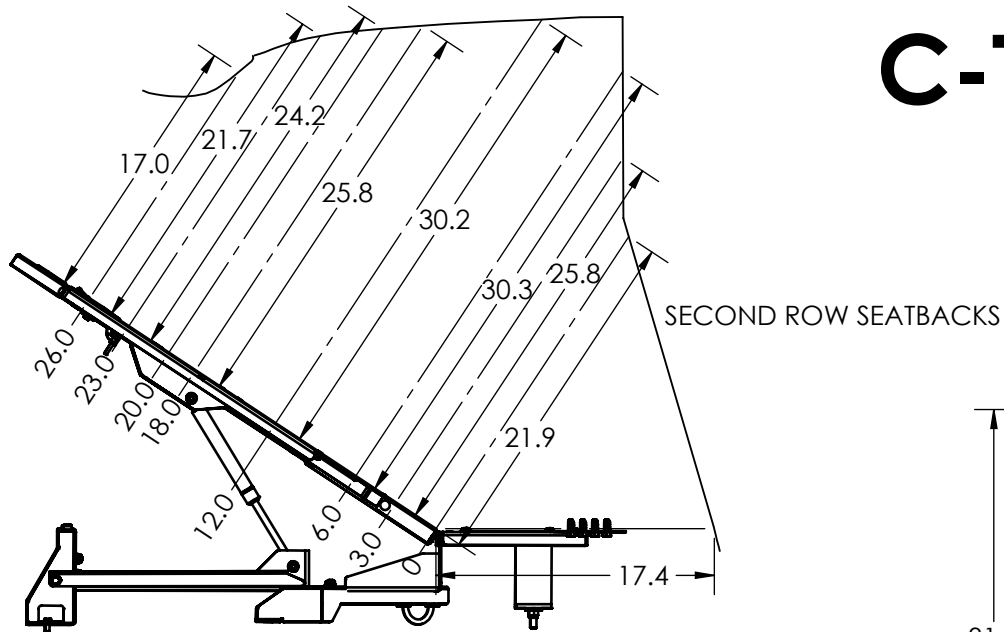


# ROOFLINE CLEARANCE- 40" WIDTH BOX

# C-TTP-INUT-1200-X



## TOP VIEW- MOUNTING SURFACE

