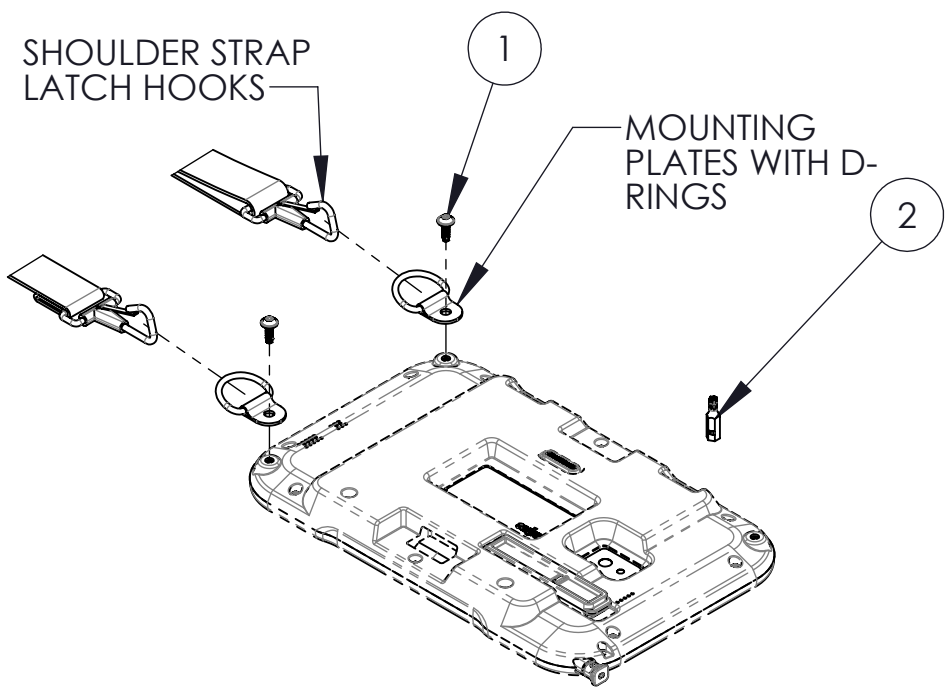
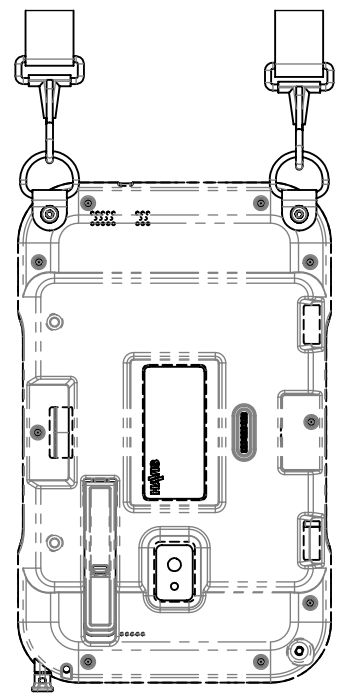
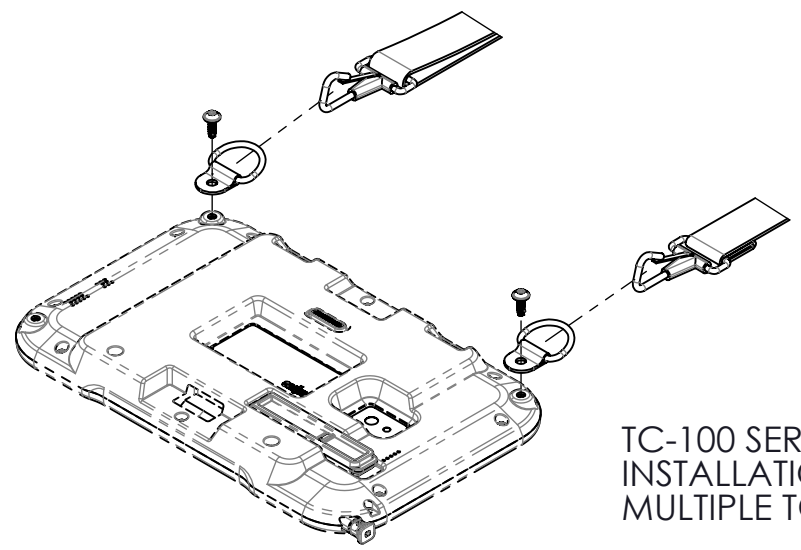
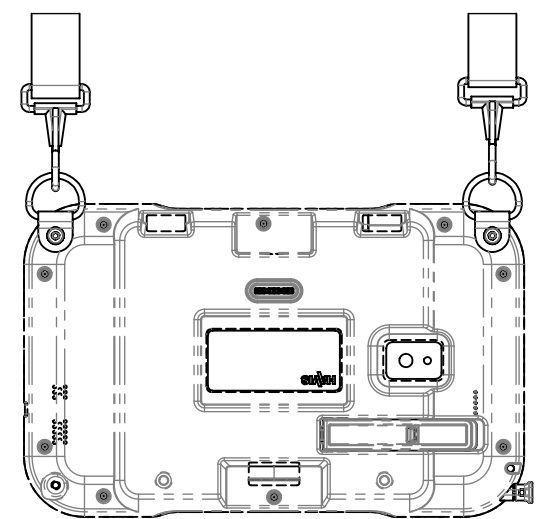


PORTRAIT INSTALLATION



LANDSCAPE INSTALLATION



TC-100 SERIES SHOWN (SOLD SEPARATELY).
INSTALLATION INSTRUCTIONS APPLICABLE TO
MULTIPLE TC-100 SERIES PROTECTIVE COVERS

INSTALLATION INSTRUCTIONS:

1. Shoulder strap can be installed with the tablet hanging in portrait position, or in landscape position. In some cases there are (2) options for portrait position, and (2) options for landscape positions. Install mounting brackets according to your preferred tablet position.
2. Position the flat surface of mounting plates onto the TC-100 series cover in the positions indicated for either the portrait or landscape installation.
3. Using the T20 torx bit supplied, fasten and secure each mounting plate to the TC-100 series cover with a M4x12mm Thread Forming screw. Ensure that the screws are fully seated onto mounting plate. Recommended torque value for fasteners is 16 in-lbs. +/- 10%. Do not over-tighten fasteners.
4. Attach the shoulder strap latch hooks to the installed mounting plate D-rings.
5. Adjust length of shoulder strap to desired length.

HARDWARE KIT CONTENTS

| ITEM # | DESCRIPTION | INSTALL/QTY. | FINISH | DRIVE STYLE/ SIZE |
|--------|--------------------------------------------------------------------|--------------|------------------------------------|-------------------|
| 1 | THREAD-FORMING SCREW, PAN HEAD (KN6038), STS +, M4X12MM, T20 DRIVE | 2 | ZINC-NICKEL-PLATED (PASSIVE BLACK) | T20 |
| 2 | T-20 TORX BIT | 1 | ----- | 1/4" HEX |

PRODUCT I.D. DS-DA-107 DATE 11-08-18

PRODUCT NAME
INSTALLATION INSTRUCTIONS
FOR DS-DA-107

HAVIS
1-800-524-9900
WWW.HAVIS.COM WEIGHT: (LBS)
REV. DATE 11-08-2018

**DRAWING NUMBER:
DS-DA-107_INST_11-18**

WARNING: ALL HAVIS INC. PRODUCTS ARE DESIGNED WITH SAFETY OF USE AND INSTALLATION IN MIND. HOWEVER, IT IS THE SOLE RESPONSIBILITY OF THE OWNER/OPERATOR OF A VEHICLE USING HAVIS INC. MOUNTING AND DOCKING EQUIPMENT, TO INSURE THAT THE EQUIPMENT IS INSTALLED SO THAT IT WILL NOT INTERFERE WITH VEHICLE OPERATION, INTERFERE WITH SAFETY DEVICES, OBSTRUCT VIEW OF DRIVING CONDITIONS, OR IN ANY WAY DEGRADE OCCUPANT SAFETY. IMPROPER INSTALLATION CAN CAUSE SERIOUS INJURY IN THE EVENT OF AN ACCIDENT. INSTALLATION SHOULD ONLY BE PERFORMED BY QUALIFIED PROFESSIONALS. COMPUTERS AND MOTION DEVICES MUST BE MOVED TO AND STOWED/SECURED IN THEIR SAFE DRIVING POSITIONS BEFORE OPERATING VEHICLE.

PRODUCT DESCRIPTION
INSTALLATION INSTRUCTIONS FOR 1" WIDE,
ADJUSTABLE LENGTH SHOULDER STRAP FOR USE
WITH TC-100 SERIES PROTECTIVE COVERS.