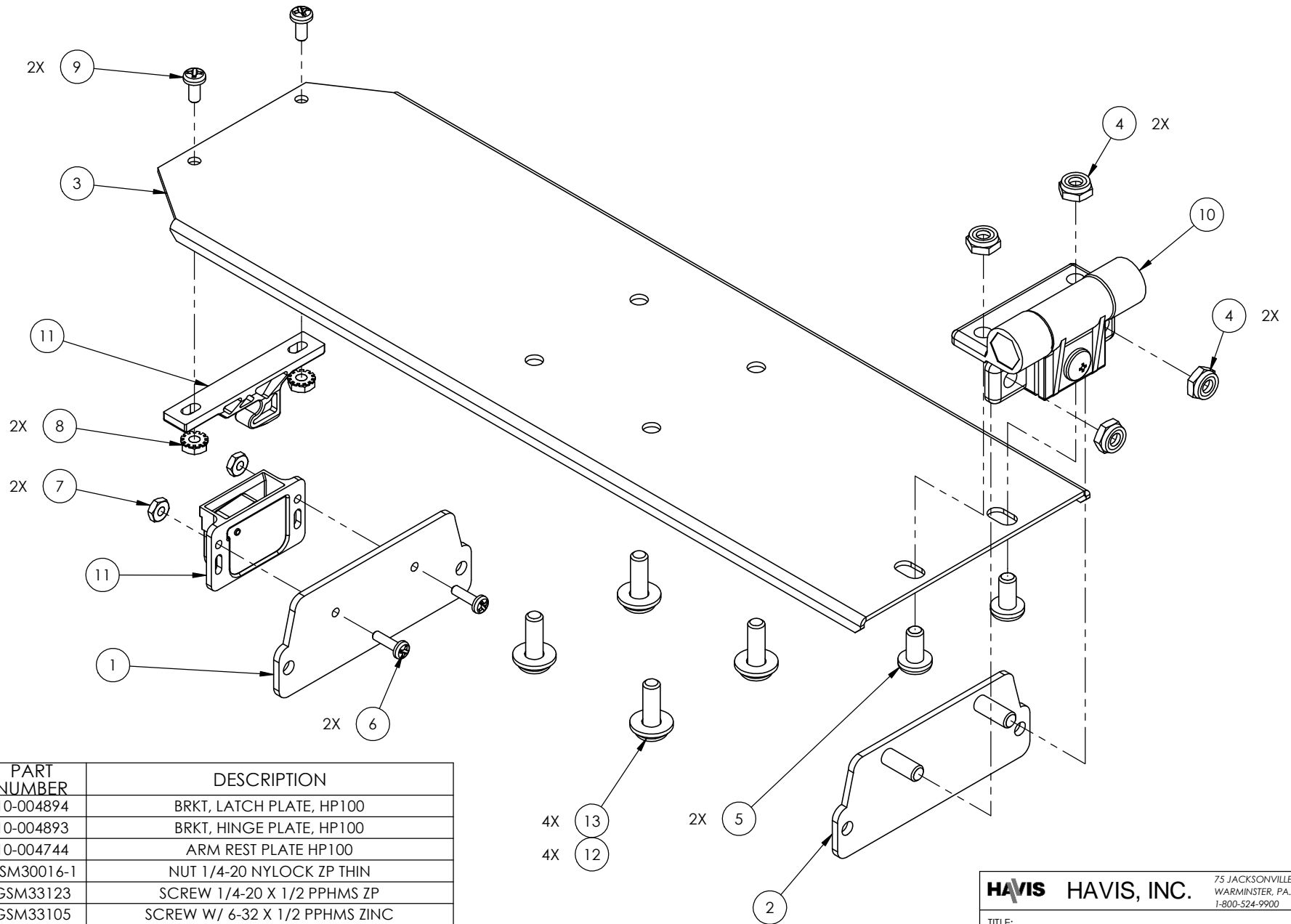


NOTES:

1. * ITEMS ARE INCLUDED WITH OPTIONAL CM005029 HINGED ARM PAD MOUNT. SEE SHEET 2 FOR ASSEMBLY DETAILS.
2. † ITEMS ARE INCLUDED WITH C-PM-111.
3. 10-32 X 1/2 SCREWS, LOCK WASHERS AND FLAT WASHERS RETAIN PRINTER IN MOUNT BY RESTING AGAINST PRINTER ABOVE THE LIP IN THE PRINTER HOUSING, PREVENTING THE PRINTER FROM LIFTING UP.
4. ALSO USED FOR ATTACHING HINGE PLATE AND CATCH WHEN USED WITH ARM REST OPTION.
5. THIS INSTRUCTION IS USED FOR THE FOLLOWING HAVIS ASSEMBLIES:
 C-PM-111
 C-ARPB-118
 C-ARPB-119
 C-ARPB-120
 C-ARPB-121

| | | | |
|---|---------------------------|--|--------------|
| HAVIS HAVIS, INC. | | 75 JACKSONVILLE RD. WARMINSTER, PA. 18974 1-800-524-9900 | |
| TITLE: HP100 ARMREST PRINTER MOUNT INSTALLATION | | | |
| DO NOT SCALE DRAWING | | | |
| SIZE A | DWG. NO. C-PM-111_INST | | REV B |
| WEIGHT (LB): 9.64 | | SCALE: 1:8 | SHEET 1 OF 2 |



| ITEM NO. | QTY. | PART NUMBER | DESCRIPTION |
|----------|------|-------------|--------------------------------|
| 1 | 1 | 10-004894 | BRKT, LATCH PLATE, HP100 |
| 2 | 1 | 10-004893 | BRKT, HINGE PLATE, HP100 |
| 3 | 1 | 10-004744 | ARM REST PLATE HP100 |
| 4 | 4 | GSM30016-1 | NUT 1/4-20 NYLOCK ZP THIN |
| 5 | 2 | GSM33123 | SCREW 1/4-20 X 1/2 PPHMS ZP |
| 6 | 2 | GSM33105 | SCREW W/ 6-32 X 1/2 PPHMS ZINC |
| 7 | 2 | GSM30001 | NUT 6-32 HEX ZP |
| 8 | 2 | GSM30027 | NUT 8-32 KEPS ZP |
| 9 | 2 | GSM33540 | SCREW 8-32 X 3/8 PTHMS ZP |
| 10 | 1 | CM86132 | TORQUE HINGE |
| 11 | 1 | GSM50252 | PUSH LATCH SOUTHCO C3-805 |
| 12 | 4 | GSM31005 | WASHER, 1/4 FLAT ZP, BLACK |
| 13 | 4 | GSM33124 | SCREW 1/4-20 X 3/4 PPHMS |

HAVIS HAVIS, INC. 75 JACKSONVILLE RD.
WARMINSTER, PA. 18974
1-800-524-9900

TITLE:
**HP100 ARMREST PRINTER MOUNT
INSTALLATION**

DO NOT SCALE DRAWING

| | | |
|-------------------|----------------------------------|-----------------|
| SIZE A | DWG. NO. C-PM-111_INST | REV B |
| WEIGHT (LB): 2.08 | SCALE: 1:2 | SHEET 2 OF 2 |