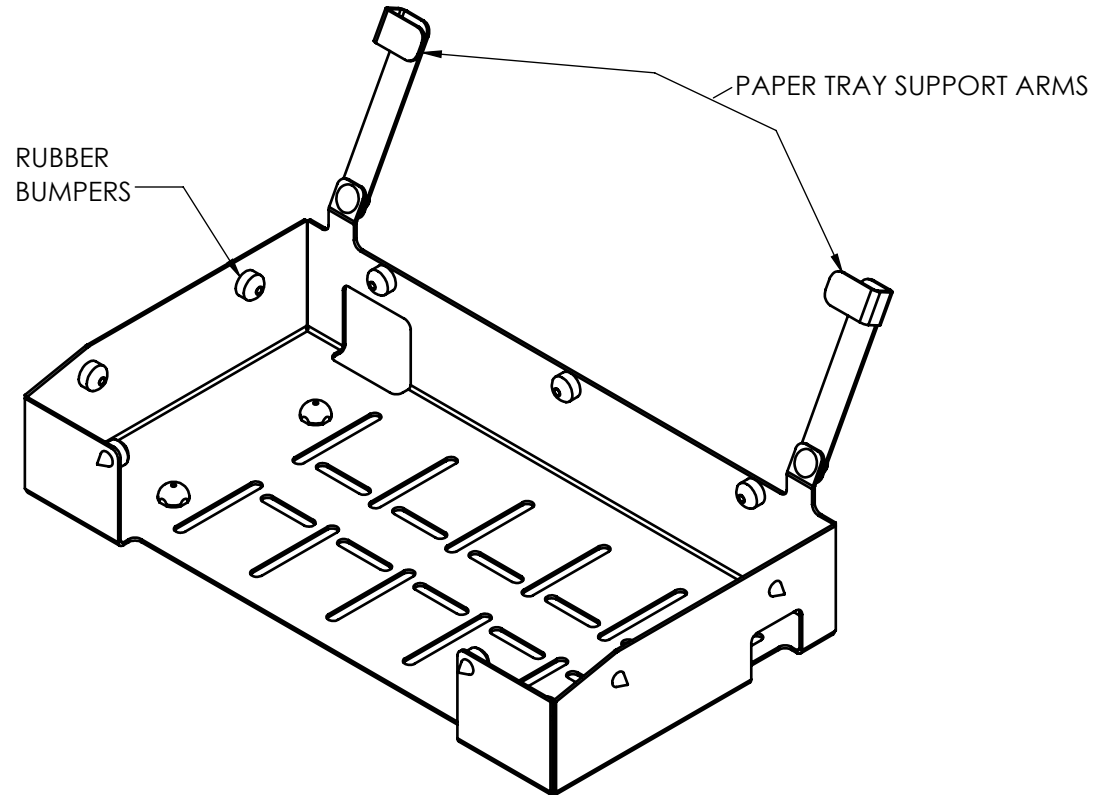


INSTALLATION INSTRUCTIONS

1. ATTACH PRINTER MOUNT TO TRACK, POLE, OR OTHER MOUNTING BASE USING INCLUDED HARDWARE.
2. ADJUST THE PAPER TRAY SUPPORT ARMS SO THAT THEY DO NOT BLOCK INSTALLATION OF THE PRINTER.
3. ALIGN PRINTER WITH PRINTER MOUNT AND PUSH DOWN TO COMPRESS THE RUBBER BUMPERS UNTIL PRINTER IS FIRMLY SEATED IN THE MOUNT.
4. INSTALL CABLES, OPEN PRINTER LID AND CHECK FUNCTIONALITY OF PRINTER.



HAVIS HAVIS, INC.		75 JACKSONVILLE RD. WARMINSTER, PA. 18974 1-800-524-9900
TITLE: INSTALLATION INSTRUCTIONS, OFFICEJET 250 PRINTER MOUNT		
DO NOT SCALE DRAWING		
SIZE A	DWG. NO. C-PM-121-INST	REV 4-18
WEIGHT (LB): 4.63	SCALE: 1:4	SHEET 1 OF 1