

INSTALLATION INSTRUCTIONS

C-DMM-3008 Flip Up Dash Monitor Mount

2019 - 2020 Ford Fusion Responder

TOOLS REQUIRED:

| | | |
|----------------|-------------------------|-------------------------|
| Ratchet Wrench | Dash panel removal tool | Open End Wrench - 7/16" |
| 7 mm Socket | Phillips screwdriver | Wire cutters |

HARDWARE and PARTS:

| <u>QTY</u> | <u>DESCRIPTION</u> | <u>PART#</u> |
|------------|--------------------------------------|--------------|
| 1 | Upper driver side support bracket | CM009533 |
| 1 | Upper passenger side support bracket | CM009534 |
| 1 | Lower passenger side support bracket | CM009554 |
| 3 | 10-32 x 1/2" Machine screw | GSM33118 |
| 3 | #10 Star washer | GSM31034 |
| 1 | VESA rotator plate | CM010471 |
| 2 | 1/4" x 3/4" Carriage bolts | GSM32000 |
| 1 | PVC washer | CM010648 |
| 2 | 1/4" Plastic washer | CM86600 |
| 2 | 1/4" Steel washer | GSM31005 |
| 2 | 1/4" Nylock nut | GSM30016-1 |

Notes:

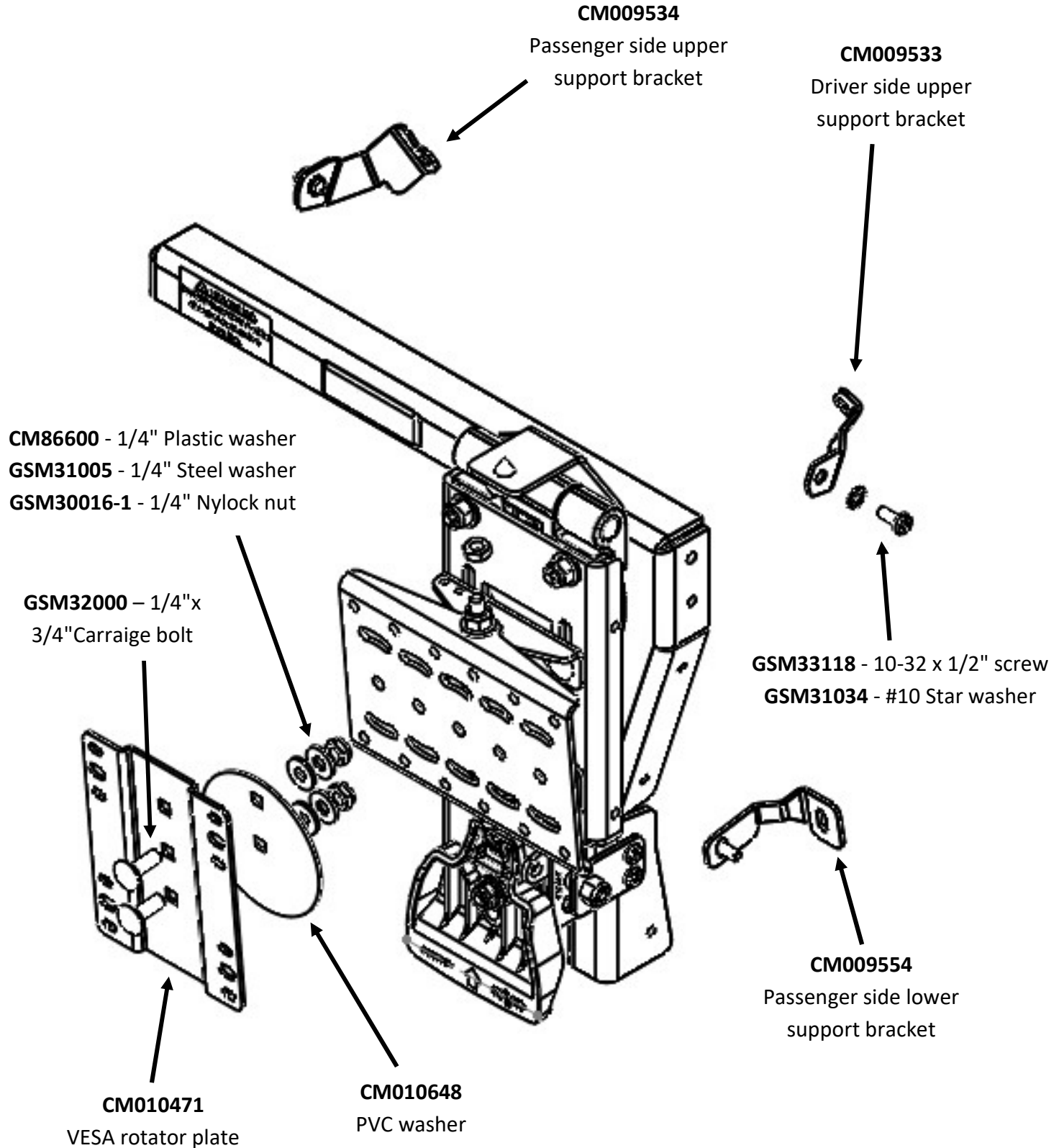
The C-DMM-3000 swivel plate accepts C-MM-301 offset bracket used with C-MM-2XX adaptors. C-MM-2XX series adaptor brackets are not needed for most VESA 75 and other Havis Docking Station mounting applications.

CM010471 VESA rotator plate gives additional positioning options, but is not required depending on mounting preference.

Always!

- Read all instructions before installing any Havis, Inc. products.
 - Use hardware provided with install kit

**C-DMM-3008
Assembly**





View of dash center instrument panel



Carefully remove upper center trim bezel using plastic panel tool.



Attach driver side upper support bracket using OEM upper radio mount screw.
(7mm socket)



Attach passenger side upper support bracket using OEM upper radio mount screw.
(7mm socket)



Carefully partially remove lower center and side trim panels. ***It is not necessary to completely remove and unplug panels.***



Attach passenger side lower support bracket to dash using OEM lower radio mount screw.
(7mm socket)



Reattach lower center and side trim panels.



Reattach upper center trim bezel.



Place DMM main frame onto the support brackets.



Attach frame to upper passenger side support bracket with 10-32 x 1/2" screw and star washer. (Phillips screwdriver)



Attach frame to upper driver side support bracket with 10-32 x 1/2" screw and star washer.



Attach frame to lower passenger side support bracket with 10-32 x 1/2" screw and star washer.



Position VESA plate on back of Device as desired. Attach VESA plate with carriage bolts to the back of the dock. The gray PVC washer will go between this bracket and the DMM swivel plate.



Determine desired position for your specific computer and attach to DMM swivel plate using 1/4" x 3/4" carriage bolts, PVC spacer, nylon washers, steel washers, and nylock nuts. Tighten so that the dock rotates smoothly.



Push up latch to release and lift

Check and adjust positioning as desired. Test for proper latching in closed position.



Route wiring along the side of the DMM flip up frame using wire ties and existing holes. Test up / down and side to side motion to confirm wires have adequate slack and strain relief.



Dock the computer and test.



Installation is now complete.