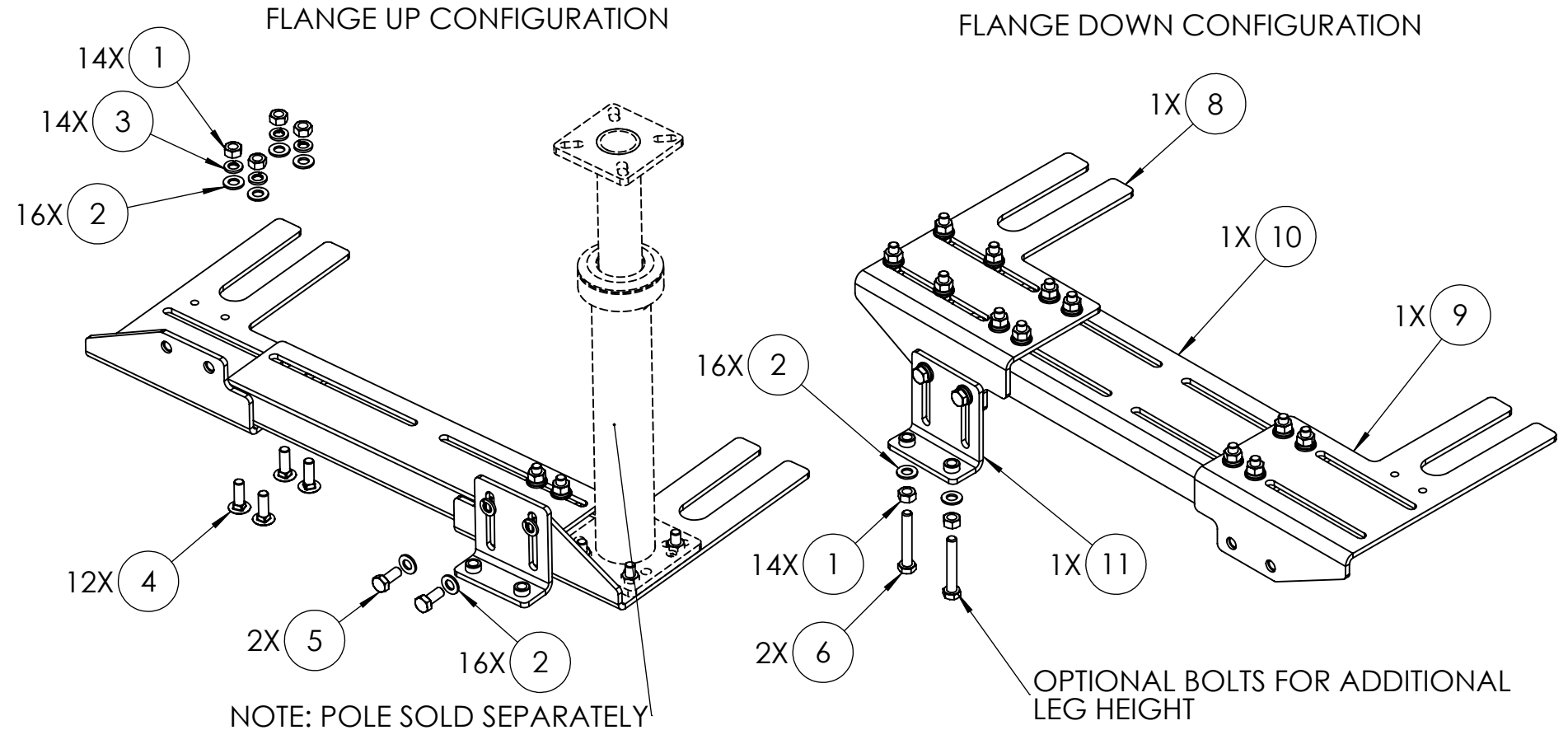


INSTALLATION INSTRUCTIONS:

1. DETERMINE THE DIRECTION OF THE BRACKETS:
 - FLANGE UP IF THE FRONT BOLTS FOR THE SEAT ARE LEVEL WITH THE FLOOR
 - FLANGE DOWN IF THE FRONT BOLTS FOR THE SEAT SIT ABOVE THE FLOOR
2. INSTALL THE 8 CARRIAGE BOLTS FACING UPWARD IN THE 8 LOCATIONS TOWARD THE INSIDE OF THE BRACKETS. LOOSELY ATTACH A SPLIT LOCK WASHER, FLAT WASHER, AND NUT TO EACH BOLT.
3. INSTALL THE 4 REMAINING CARRIAGE BOLTS FACING UPWARD IN THE SLOTS THAT WILL BE CLOSEST TO THE CENTER CONSOLE. THESE BOLTS ARE FOR MOUNTING A POLE. NOTE THAT THIS BRACKET ALLOWS FOR MOUNTING TO A VEHICLE WITH EITHER LEFT OR RIGHT SIDE DRIVER'S SEAT. LOOSELY ATTACH THE POLE, THEN A SPLIT LOCK WASHER, FLAT WASHER, AND NUT TO EACH BOLT.
4. REMOVE FLOOR MAT.
5. REMOVE PASSENGER SIDE FRONT SEAT BOLTS.
6. SLIDE BASE PLATE IN BETWEEN FLOOR AND SEAT BRACKETS.
7. RE-INSTALL VEHICLE MANUFACTURER'S BOLTS AND TIGHTEN TO VEHICLE MANUFACTURER'S TORQUE SPECIFICATION.
8. SLIDE POLE CARRIAGE BOLTS LEFT/RIGHT TO DESIRED DISTANCE FROM CENTER CONSOLE. TIGHTEN POLE NUTS AND 8 REMAINING NUTS ON BRACKET.
9. IF NECESSARY, INSTALL THE ADJUSTABLE LEG BRACKET TIGHT TO THE FLOOR USING TWO BOLTS, FLAT WASHERS, AND SPLIT LOCK WASHERS.
10. IF MORE HEIGHT IS NEEDED ON THE LEG, ATTACH TWO BOLTS, WASHERS, AND NUTS IN THE ORDER SHOWN IN THE DIAGRAM. LOOSEN THE BOLTS UNTIL THEY MAKE CONTACT WITH THE FLOOR, THEN TIGHTEN THE NUTS ONTO THE LEG.
11. FOLLOW GENERAL INSTRUCTIONS FOR POLE AND UPPER MOUNT PARTS.



| LINE | QTY. | ITEM NUMBER | DESCRIPTION |
|------|------|-------------|-----------------------------------|
| 1 | 14 | 15999 | NUT 5/16-18 HEX ZP |
| 2 | 16 | 16123 | WASHER, 5/16" FLAT, SAE ZP |
| 3 | 14 | 16143 | WASHER, 5/16" LOCK, ZP |
| 4 | 12 | 16244 | CARRIAGE BOLT 5/16-18 X 1 BLK |
| 5 | 2 | 16335 | SCREW, 5/16-18 X 3/4" |
| 6 | 2 | 16339 | SCREW 5/16-18 X 2 HHCS ZP |
| 7 | 1 | 22025 | OWNER'S MANUAL REFERENCE POSTCARD |
| 8 | 1 | 25604 | BRKT, UNIVERSAL MNT DS |
| 9 | 1 | 25605 | BRKT, UNIVERSAL MNT PS |
| 10 | 1 | 25606 | BRKT, UNIVERSAL MNT CENTER |
| 11 | 1 | 25607 | BRKT, UNIVERSAL MNT FOOT |

WARNING: ALL HAVIS INC. PRODUCTS ARE DESIGNED WITH SAFETY OF USE AND INSTALLATION IN MIND. HOWEVER, IT IS THE SOLE RESPONSIBILITY OF THE OWNER/OPERATOR OF A VEHICLE USING HAVIS INC. MOUNTING AND DOCKING EQUIPMENT, TO INSURE THAT THE EQUIPMENT IS INSTALLED SO THAT IT WILL NOT INTERFERE WITH VEHICLE OPERATION, INTERFERE WITH SAFETY DEVICES, OBSTRUCT VIEW OF DRIVING CONDITIONS, OR IN ANY WAY DEGRADE OCCUPANT SAFETY. IMPROPER INSTALLATION CAN CAUSE SERIOUS INJURY IN THE EVENT OF AN ACCIDENT. INSTALLATION SHOULD ONLY BE PERFORMED BY QUALIFIED PROFESSIONALS. COMPUTERS AND MOTION DEVICES MUST BE MOVED TO AND STOWED/SECURED IN THEIR SAFE DRIVING POSITIONS BEFORE OPERATING VEHICLE.

| | |
|---|--------------------------------|
| DRAWING NO. 10-012136 | |
| PRODUCT DESCRIPTION ASSY, UNIVERSAL PEDESTAL INSTRUCTIONS | |
| HAVIS 1-800-524-9900 WWW.HAVIS.COM | WEIGHT: (LBS) 14.083 |
| | REV. DATE 09-2021 |