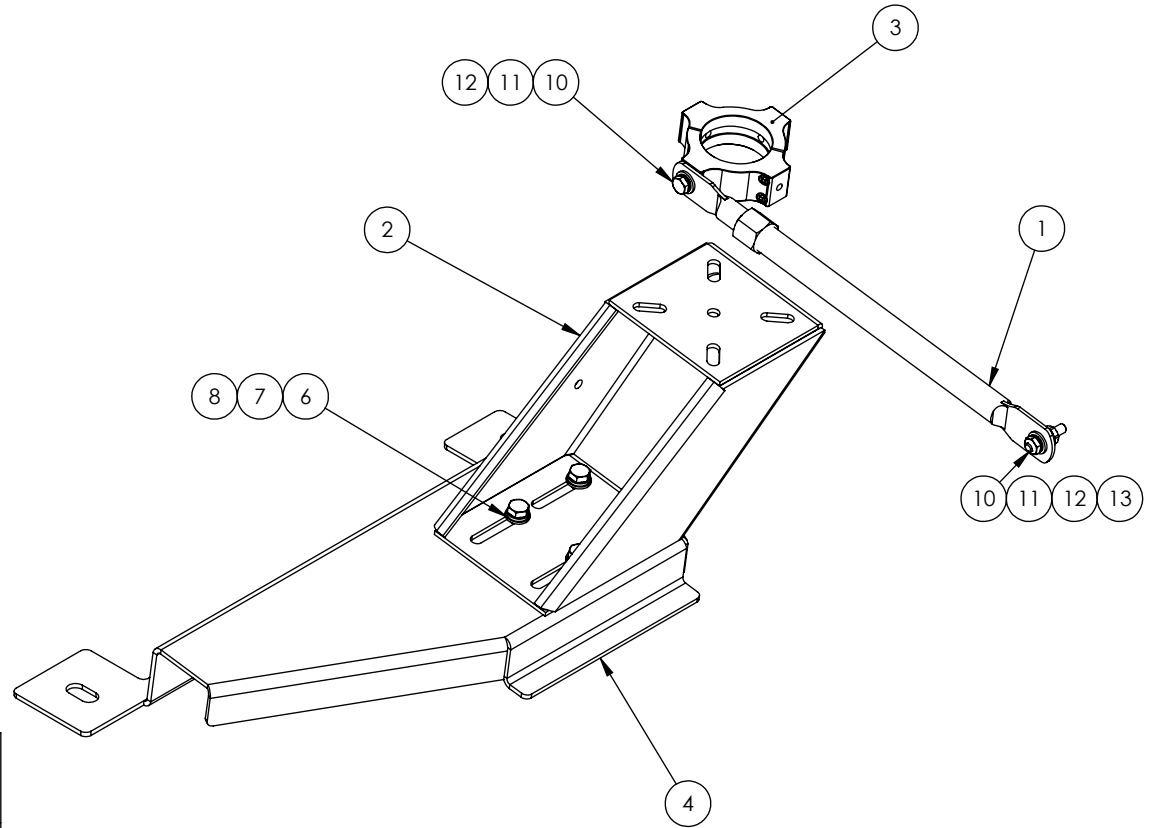


INSTALLATION INSTRUCTIONS

1. REMOVE PASSENGER SIDE FRONT SEAT BOLTS.
2. SLIDE BASE PLATE IN BETWEEN FLOOR AND SEAT BRACKETS.
3. REINSTALL OEM SEAT BOLTS AND TIGHTEN TO OEM TORQUE SPECIFICATION.
4. ATTACH LOWER OFFSET TO BASEPLATE WITH 5/16" BOLTS, LOCK WASHERS AND FLAT WASHERS ANGLE TOWARDS CENTER OF VEHICLE.
5. INSTALL SPIDER COLLAR ON THE HDM POLE (POLE NOT SHOWN) AS A SNUG FIT.
6. FIX HDM POLE ONTO THE BASE BRACKET USING HARDWARE FROM C-HK-102 HARDWARE KIT.
7. INSTALL SUPPORT ARM TO COLLAR AS SHOWN USING 1/4-20 HARDWARE SUPPLIED. ATTACH UNDER DASH WITH "L" BRACKETS SUPPLIED.
8. FOLLOW GENERAL INSTRUCTIONS FOR POLE AND UPPER MOUNT PARTS.



ITEM NO.	QTY.	PART NUMBER	DESCRIPTION
1	2	10-002267	BRACKET, LATCH, UNIVERSAL MOUNTING
2	1	10-002541	BRACKET, MOUNT, 45 DEG. 5" LOWER OFFSET BASE W/SLOTS
3	1	10-002624	EXTRUSION SPIDER, 2PC, COLLAR
4	1	10-006430	BRACKET, MOUNT, HDM BASE, FORD VAN TRANSIT
5	1	GSM01260	ASSY SUPPORT ARM 12.5-19"
6	4	GSM31006	WASHER, 5/16" FLAT, SAE ZP
7	4	GSM31027	WASHER, 5/16" LOCK, ZP
8	4	GSM33011	SCREW, 5/16-18 X 3/4"
9	1	GSM33000	SCREW 1/4-20 X 1/2 HHCS, BLK, ZP, GRD 5
10	4	GSM33001	SCREW 1/4-20 x 3/4" HHCS ZP
11	4	GSM31026	WASHER 1/4 LOCK ZP
12	5	GSM31005	WASHER, 1/4 FLAT ZP, BLACK
13	4	GSM30005	NUT 1/4-20 HEX BLK, ZINC, GRD 5
14	4	GSM34214	SHCS, STAINLESS 10-24 X 1-1/4" LG

HAVIS HAVIS, INC.		75 JACKSONVILLE RD. WARMINSTER, PA. 18974 1-800-524-9900	
TITLE: FORD TRANSIT HDM BASE ASSEMBLY			
DO NOT SCALE DRAWING			
SIZE A	DWG. NO. C-HDM-183-INST	REV 12-14	
WEIGHT (LB): 11.74	SCALE: 1:8	SHEET 1 OF 1	