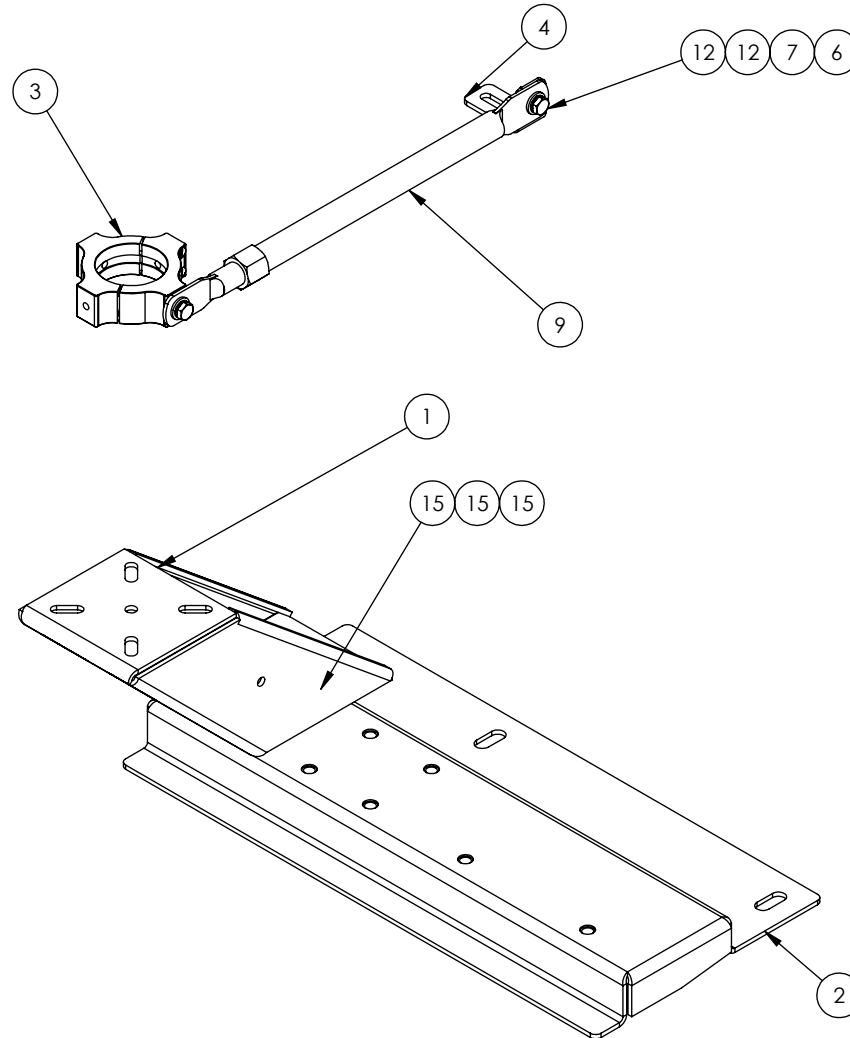


PROJECT #	REV.	DESCRIPTION
1427	8-15	RELEASED TO PRODUCTION

## INSTALLATION INSTRUCTIONS

1. REMOVE PASSENGER SEAT NUTS.
2. SLIDE BASE PLATE IN BETWEEN FLOOR AND INBOARD PASSENGER SEAT BRACKETS.
3. REINSTALL OEM SEAT NUTS AND TIGHTEN TO OEM TORQUE SPECIFICATION.
4. ATTACH LOWER OFFSET TO BASEPLATE WITH 5/16" BOLTS, LOCK WASHERS AND FLAT WASHERS ANGLE TOWARDS CENTER OF VEHICLE.
5. INSTALL SPIDER COLLAR ON THE HDM POLE (POLE NOT SHOWN) AS A SNUG FIT.
6. FIX HDM POLE ONTO THE BASE BRACKET USING HARDWARE FROM C-HK-102 HARDWARE KIT.
7. INSTALL SUPPORT ARM TO COLLAR AS SHOWN USING 1/4-20 HARDWARE SUPPLIED. ATTACH UNDER DASH WITH "L" BRACKETS SUPPLIED.
8. FOLLOW GENERAL INSTRUCTIONS FOR POLE AND UPPER MOUNT PARTS.



ITEM NO.	QTY.	PART NUMBER	DESCRIPTION
1	1	10-002541	BRACKET, MOUNT, 45 DEG. 5" LOWER OFFSET BASE W/SLOTS
2	1	10-006853	BRKT, INTERNATIONAL HDM BASE
3	1	10-002624	EXTRUSION SPIDER, 2PC, COLLAR
4	2	10-002267	BRACKET, LATCH, UNIVERSAL MOUNTING
5	1	GSM01260	ASSY SUPPORT ARM 12.5-19"
6	4	GSM30005	NUT 1/4-20 HEX BLK, ZINC, GRD 5
7	5	GSM31005	WASHER, 1/4 FLAT ZP, BLACK
8	1	GSM31006	WASHER, 5/16" FLAT, SAE ZP
9	4	GSM31026	WASHER 1/4 LOCK ZP
10	1	GSM31027	WASHER, 5/16" LOCK, ZP
11	1	GSM33000	SCREW 1/4-20 X 1/2 HHCS, BLK, ZP, GRD 5
12	4	GSM33001	SCREW 1/4-20 x 3/4" HHCS ZP
13	1	GSM33011	SCREW, 5/16-18 X 3/4"
14	4	GSM34214	SHCS, STAINLESS 10-24 X 1-1/4" LG

<b>HAVIS</b> HAVIS, INC.		75 JACKSONVILLE RD. WARMINSTER, PA. 18974 1-800-524-9900
TITLE: INTERNATIONAL HDM BASE ASSEMBLY		
<b>DO NOT SCALE DRAWING</b>		
SIZE <b>A</b>	DWG. NO. C-HDM-184-INST	REV 8-15
WEIGHT (LB): 13.60	SCALE: 1:8	SHEET 1 OF 1