

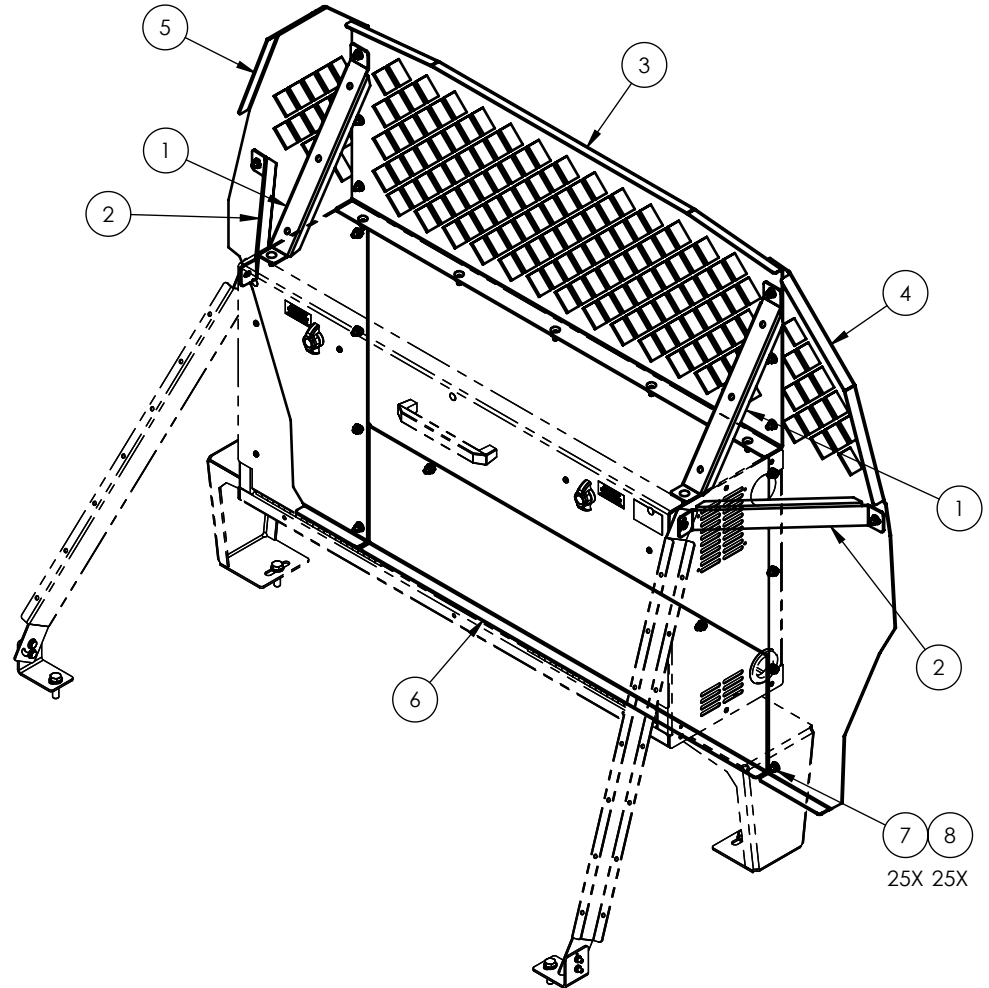
**INSTALLATION:**

**NOTES:**

DO NOT TIGHTEN ANY HARDWARE UNTIL ALL PARTS HAVE BEEN INSTALLED AND ADJUSTED.

ALL PANEL FLANGES POINT TOWARDS THE REAR OF THE VEHICLE.

1. ATTACH TOP PANEL TO TOP OF STORAGE BOX WITH (5) 1/4-20 X 3/4 CARRIAGE BOLTS AND FLANGED NUTS.
2. ATTACH 2 SIDE PANELS TO TOP PANEL AND BOX USING (4) 1/4-20 X 3/4 CARRIAGE BOLTS ON EACH. DO NOT INSTALL TOP BOLT OR BOTTOM 2 BOLTS EITHER SIDE.
3. INSTALL BOTTOM FILLER USING (6) 1/4-20 X 3/4 CARRIAGE BOLTS.
4. ATTACH UPPER STRUTS (WITH HOLES) TO TOP PANEL AND EXISTING HOLES IN STORAGE BOX TOP USING (2) 1/4-20 X 3/4 CARRIAGE BOLTS ON EACH.
5. REMOVE REAR STRUT UPPER BOLTS FROM STORAGE BOX.
6. ATTACH SIDE STRUTS TO SIDE PANELS AND STORAGE BOX USING A 1/4-20 X 3/4 CARRIAGE BOLT AT THE SIDE PANEL AND REUSING THE PREVIOUSLY REMOVED REAR STRUT BOLT.
7. MAKE SURE THAT ALL PANELS ARE POSITIONED AS DESIRED, AND TIGHTEN ALL HARDWARE.



ITEM NO.	QTY.	PART NUMBER	DESCRIPTION
1	2	10-005854	STRUT, INUT PARTITION
2	2	10-005856	STRUT, SIDE, INUT PARTITION
3	1	10-006488	TOP PANEL, SBX PARTITION, 2015 TAHOE
4	1	10-006489	SIDE PANEL, SBX PARTITION, PS, 2015 TAHOE
5	1	10-006490	SIDE PANEL, SBX PARTITION, DS, 2015 TAHOE
6	1	10-006491	BOTTOM PANEL, SBX PARTITION, 2015 TAHOE
7	25	GSM30023	NUT 1/4-20 HEX FLANGE SERRATED ZP, BLK
8	25	GSM32000	BOLT, 1/4-20 x 3/4 CARRIAGE ZP, BLK

<b>HAVIS HAVIS, INC.</b>		<small>75 JACKSONVILLE RD. WARMINSTER, PA. 18974 1-800-524-9900</small>	
TITLE: INSTALLATION, SBX PARTITION, 2015 TAHOE			
<b>DO NOT SCALE DRAWING</b>			
SIZE <b>A</b>	DWG. NO. C-SBX-903-INST	REV 9-14	
WEIGHT (LB): 45.10		SCALE: 1:12	SHEET 1 OF 1