

INSTALLATION INSTRUCTIONS C-VS-1400-INUT-1

14" Console for the 2020 - 2023 Ford Interceptor Utility

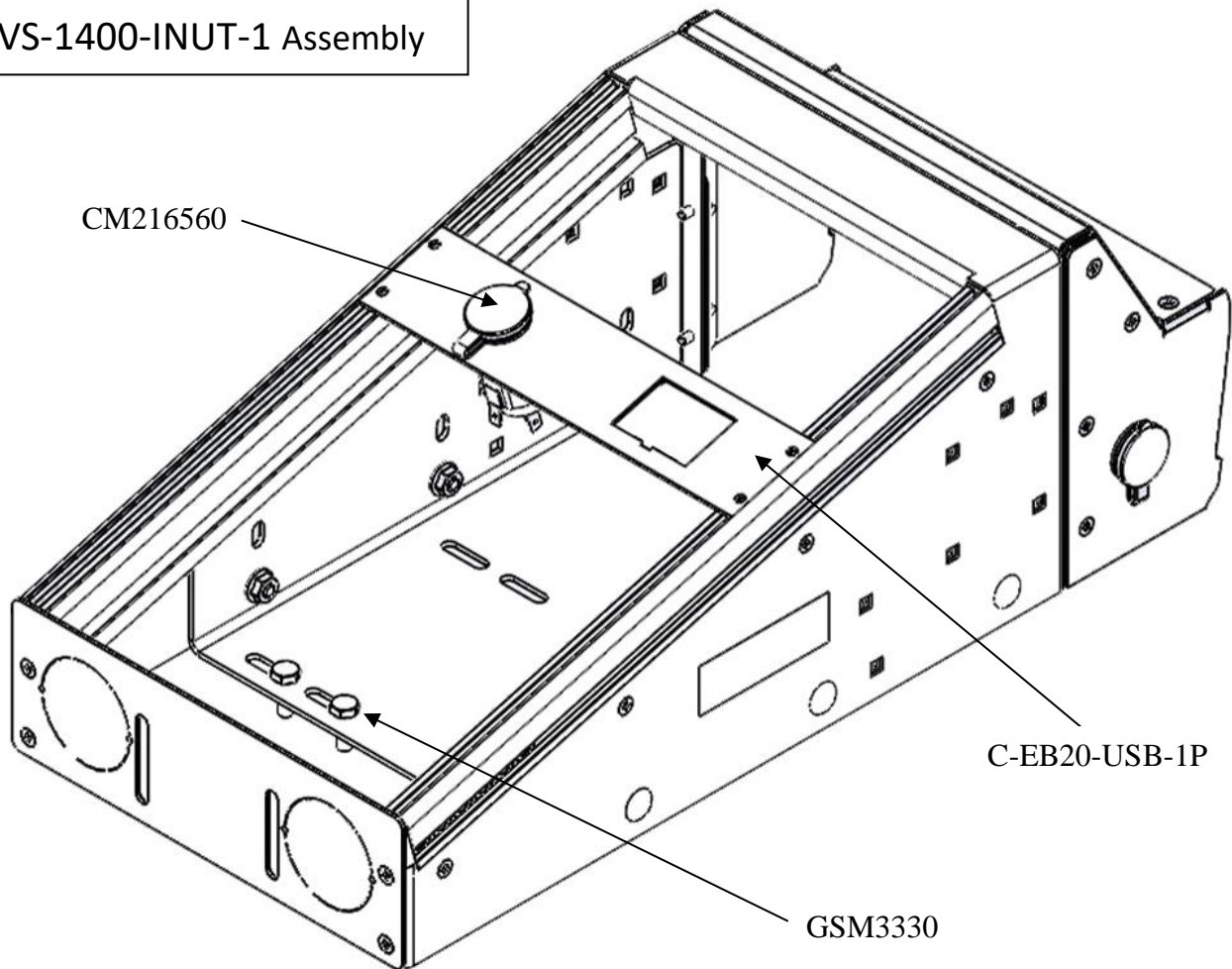
TOOLS REQUIRED:

Cordless drill Drill bit set Standard socket set Marker

PARTS and MOUNTING HARDWARE:

<u>QTY</u>	<u>DESCRIPTION</u>	<u>PART#</u>	
1	Forward center trim panel	CM009351	(shipped installed on console)
1	Driver side trim panel	CM009352-DS	(shipped installed on console)
1	Passenger side trim panel	CM009352-PS	(shipped installed on console)
8	1/4" x 3/4" Self-threading bolts	GSM33300	
1	USB & 12v socket relocation plate	C-EB20-USB-1P	
2	12 volt socket with rubber cap	CM216560	(one shipped installed on console)

C-VS-1400-INUT-1 Assembly



Always!

- Read all instructions before installing any Havis, Inc. products.
- **Check for obstructions (Wires, brake lines, fuel tank, etc.) before drilling any holes!**
 - Use hardware provided with install kit



View of Interceptor Utility before install



Place console on OEM tunnel plate. Slide tight to the dash.



Mark the tunnel plate using a pencil or marker.

NOTE: Do not mark or drill through the "No Drill Zone" that is indicated on the OEM tunnel plate.



Drill out marked holes using a #7 or 13/64" drill bit.



Reinstall console and attach using four (4) 1/4" x 3/4" self-threading bolts.



Wire and install equipment as needed.
Installation is now complete.