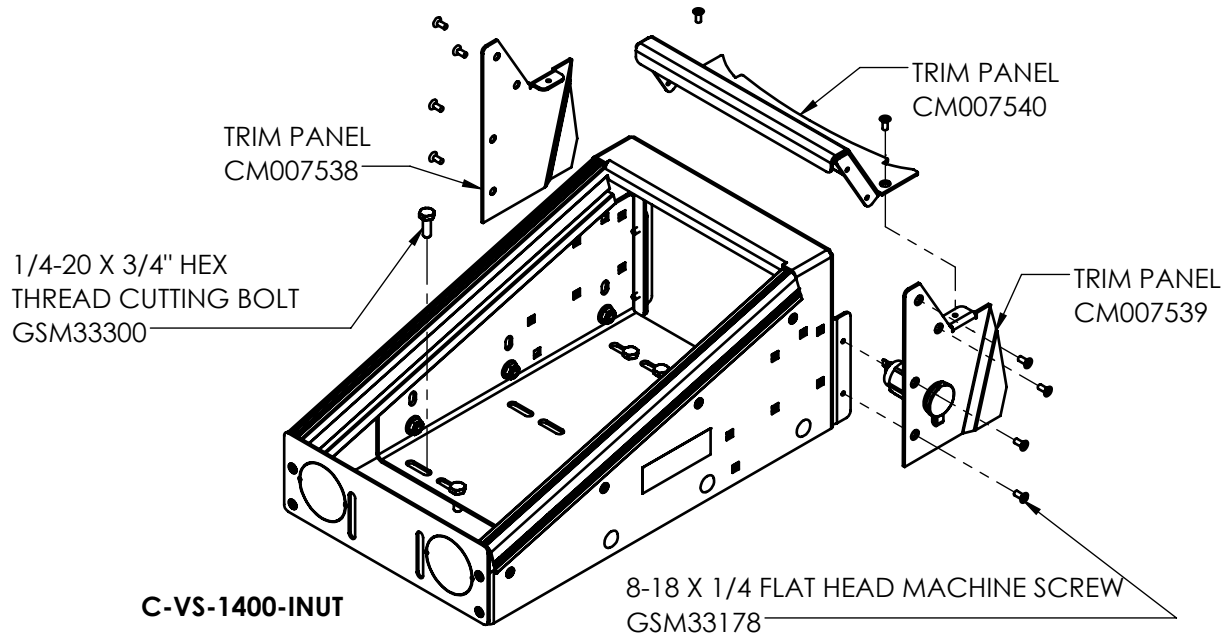
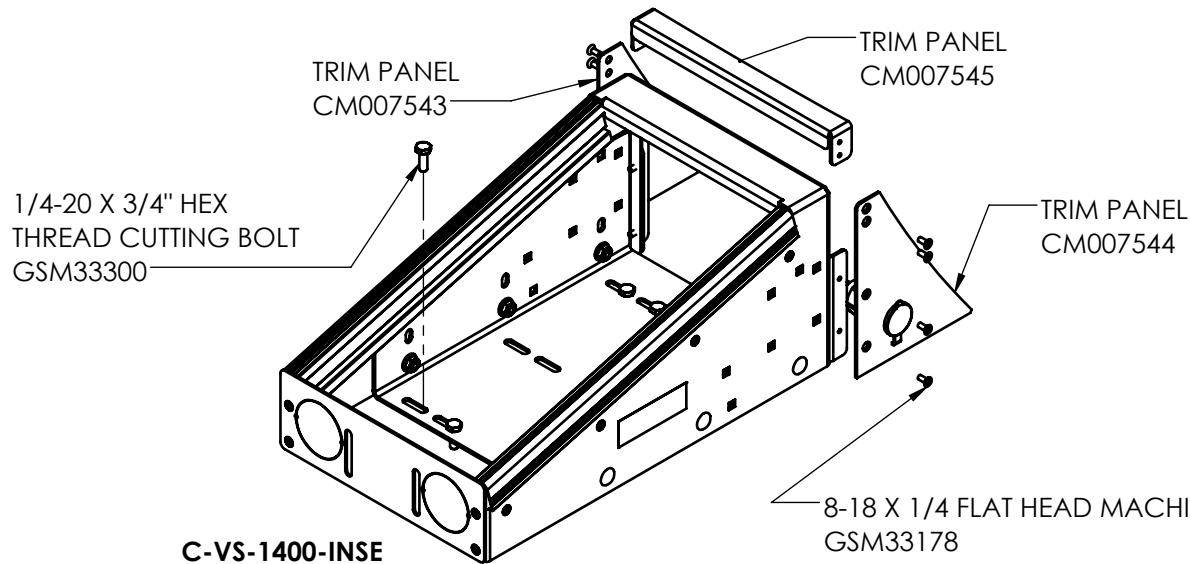


# C-VS-1400-INSE & C-VS-1400-INUT INSTALLATION INSTRUCTIONS



**C-VS-1400-INUT**



**C-VS-1400-INSE**

1. POSITION CONSOLE ON OEM TUNNEL PLATE IN DESIRED LOCATION.
2. MARK 4 POSITIONS WHERE CONSOLE SHOULD BE SECURED.

**NOTE THE SUV AND THE SEDAN HAVE DIFFERENT NO DRILL ZONES**

3. REMOVE CONSOLE AND DRILL  $\phi 7/32$  HOLES THROUGH OEM TUNNEL PLATE.
4. CLEAN UP ANY LOOSE CHIPS REPOSITION CONSOLE AND SECURE USING SUPPLIED HARDWARE.
5. IF SECURING ANY OTHER HAVIS PRODUCTS USE THE EXTRA SCREWS PROVIDED.

## **NOTICE TO CUSTOMERS WITH ICS SYSTEM**

FOR SERVICE ACCESS TO THE ICS PROCESSOR, THE FRONT TRIM PANELS CAN BE REMOVED WHILE THE CONSOLE HOUSING REMAINS IN PLACE.

PLEASE REFER TO THE EXPLODED VIEWS AND REMOVE THE NECESSARY HARDWARE (GSM33178) AND TRIM PANELS TO PROVIDE ACCESS TO THE ICS PROCESSOR.

