

# INSTALL INSTRUCTIONS C-VS-1800-CHGR-1

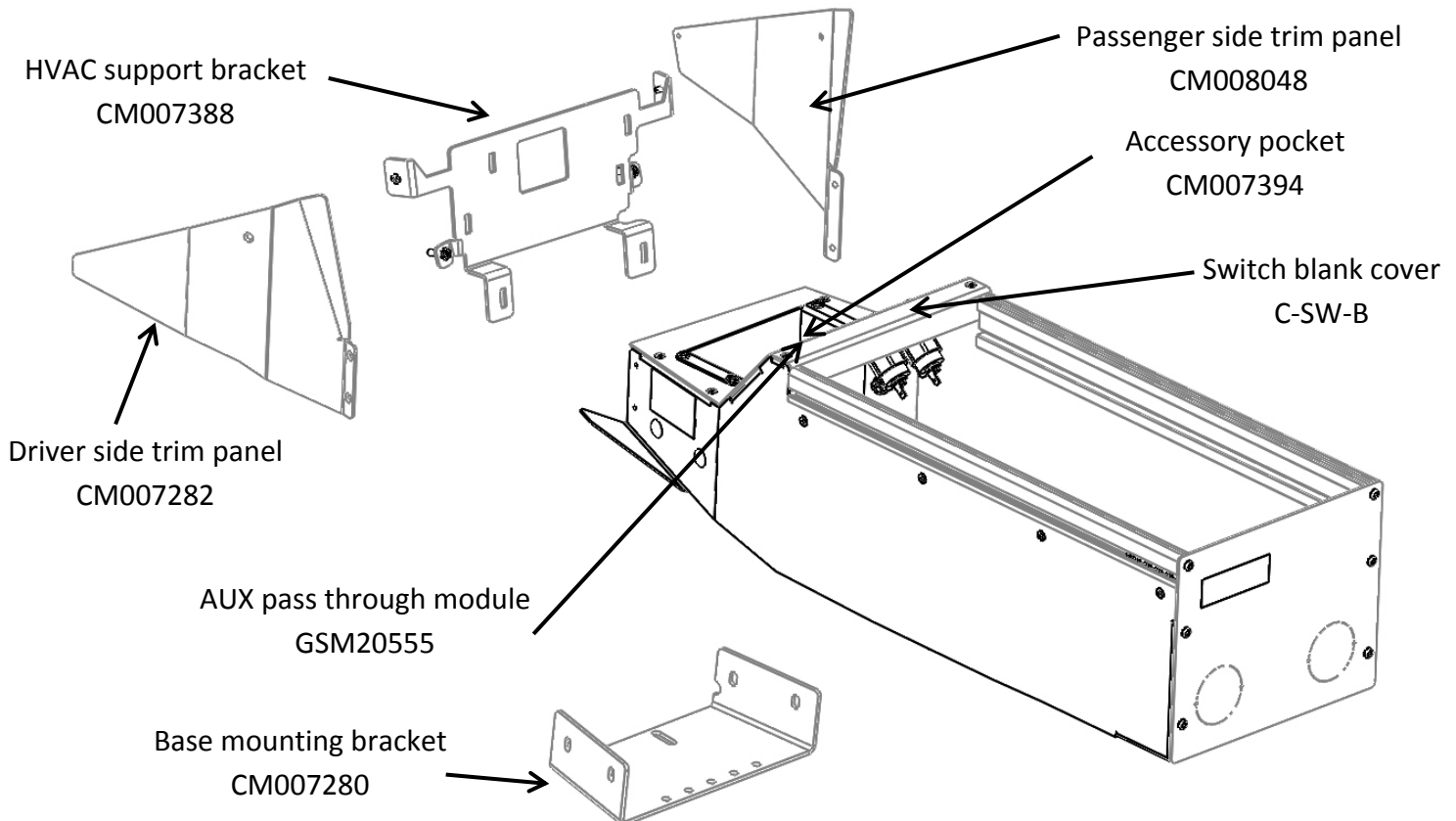
**18" Vehicle Specific Console for 2016-2020 Dodge Charger (Police Package)  
With the 12.1-inch Uconnect touchscreen display & OEM mini console  
\*\* Does not work in vehicle with Street Appearance Package interior upgrade \*\***

**TOOLS REQUIRED:**

Phillips Screw Driver	Socket set (Standard & Metric)	Wire Cutters
Wire Crimping tool	T-20 Torx Bit	7/16 wrench

**INSTALLATION PARTS AND MOUNTING HARDWARE:**

<u>QTY</u>	<u>DESCRIPTION</u>	<u>PART #</u>
1	Main Console Housing	
1	Passenger side trim panel	CM008048
1	Driver side trim panel	CM007282
1	HVAC Support bracket	CM007388
1	Sensor cover	CM001638
1	Aux USB Pass through module	GSM20555
1	Switch blank cover	C-SW-B
1	USB left angle extension	GSM20557
1	3.5mm right angle adaptor	GSM20510
1	7/8" Hole plug	CM86430
3	M6 X 1.0 Flange nut	GSM30141
3	1/4 X 3/4 HH SEMS screw	GSM33060-1
6	#8-18 X 1/4, PFHMS screw	GSM33178
2	#10 X 3/4 PPHSMS screw	GSM33195

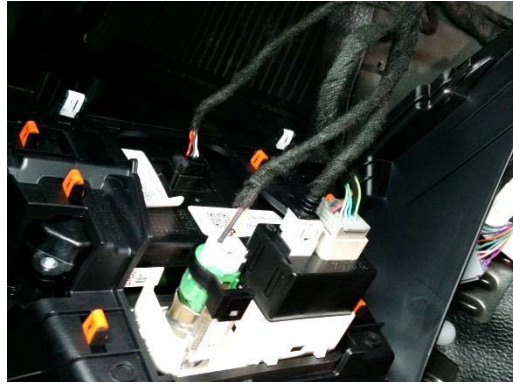


**Always!**

- Read all instructions before installing any Havis, Inc. products.
- Use hardware provided with install kit



Remove OEM track and center console



Unplug all the four (4) plugs and remove HVAC control and Aux panel by gently prying along dash to release the six (6) clips.



Attach the HVAC support bracket to the OEM control. Make sure all six (6) clips are fully seated in the bracket.



Re-install bracket and control in dash using two (2) supplied #10 X 3/4" sheet metal screws.



Place console up to dash and remove the accessory pocket. Attach the two (2) supplied M6 flange nuts to the OEM studs.



Use 1/4 x 3/4 self-threading screws (included in hardware kit) to loosely attach rear of console to existing floor inserts. Inserts located under rubber mat as shown. (7/16 socket)



Plug in the angled USB (not shown) and aux extension wires from the Aux pass through module into the OEM aux panel on the HVAC module. Tuck wires to the side and re-install accessory pocket.



Attach driver side filler to the console and the HVAC support bracket using three (3) supplied #8 x 1/4" flat head screws. Repeat process for other side



Console housing installation is now complete.