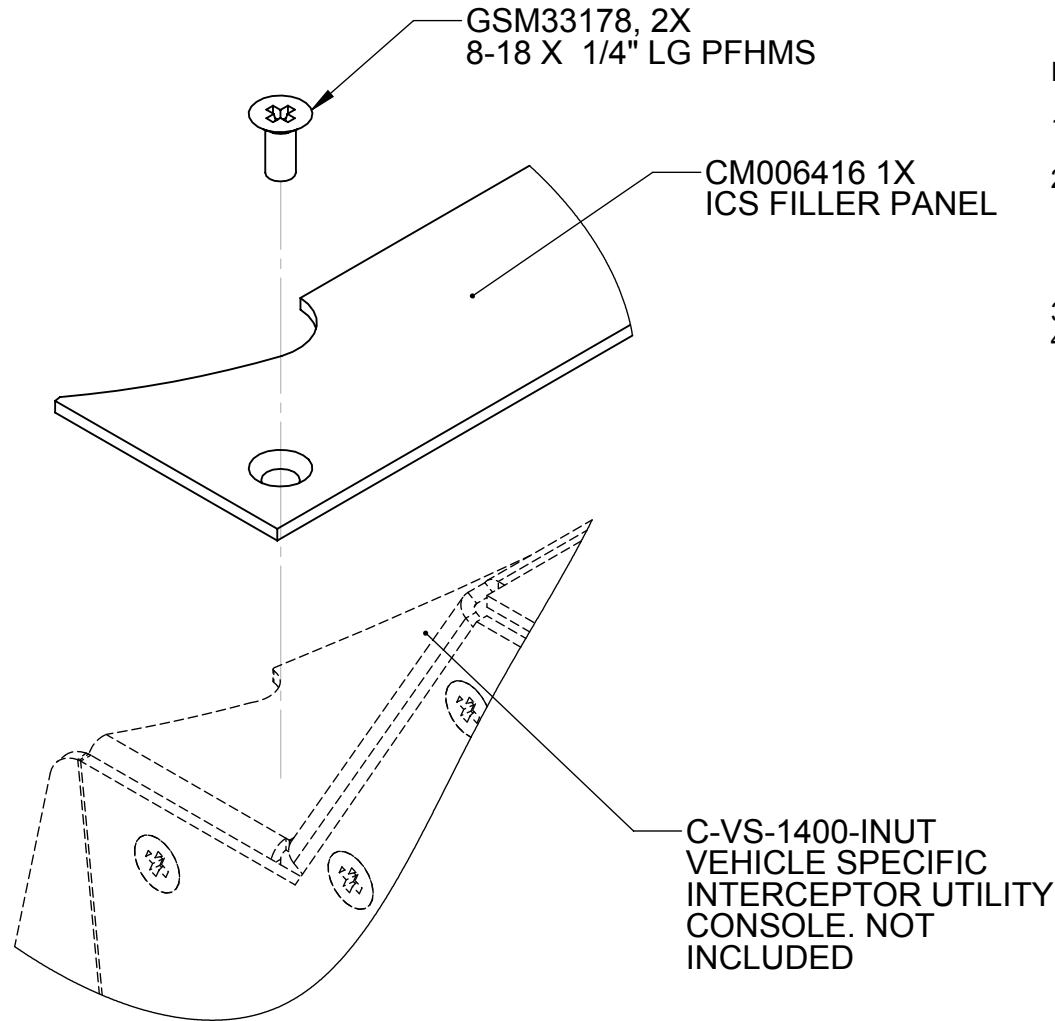
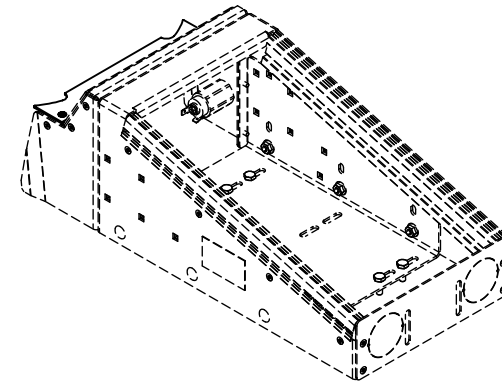


PROJECT #	REV.	DESCRIPTION
1837	1-15	RELEASED TO PRODUCTION



INSTALLATION INSTRUCTIONS

1. INSTALL THE C-VS-1400-INUT USING THE INSTRUCTIONS PROVIDED WITH THE C-VS-1400-INUT.
2. LINE UP CM006779 IN THE OPTIMUM LOCATION TO COVER ANY GAPS BETWEEN THE CONSOLE AND THE LOWER TRIM PANEL OF THE ICS SYSTEM. USING CM006779 AS A TEMPLATE MARK THE LOCATIONS OF THE TWO HOLES.
3. DRILL THE TWO HOLES $\phi .140$ (9/64").
4. ATTACH CM006779 TO C-VS-1400-INUT USING THE GSM33178, 2X SCREWS PROVIDED.



HAVIS HAVIS, INC.		75 JACKSONVILLE RD. WARMINSTER, PA. 18974 1-800-524-9900
TITLE: INSTALLATION INSTRUCTIONS CM006986		
DO NOT SCALE DRAWING		
SIZE A	DWG. NO. CM006986-INST	REV 1-15
WEIGHT (LB): 16.26	SCALE: 1:8	SHEET 1 OF 1