

INSTALLATION INSTRUCTIONS:

Note:
 -Docking station depicted may not match Identically to product purchased. However, all Installation instructions are still applicable unless otherwise noted.

-Bracket can be mounted on either side of docking station.
 -Bracket can be mounted on same side as LPS-204 (Accessory Power Supply Mounting Bracket - not shown).

1. Remove the (qty:2) screws that hold the mounting bracket to the GTC-600 Series Docking Station.

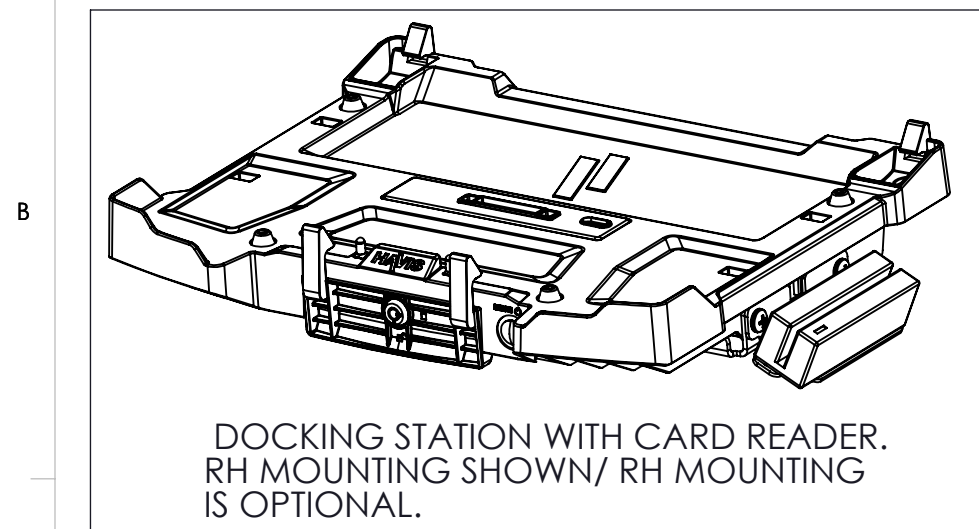
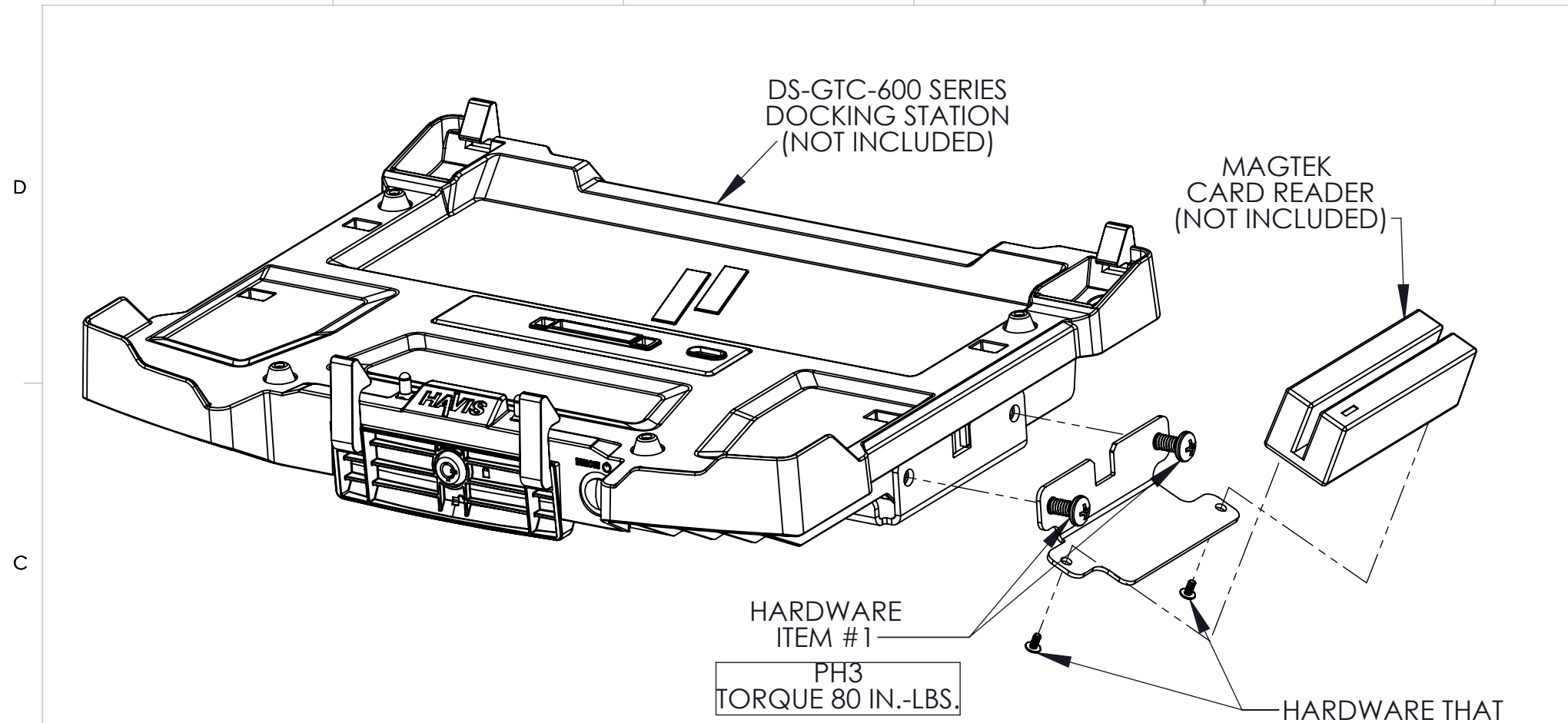
2. To install card reader bracket, position bracket as shown in image at left and align mounting holes (qty:2) with holes (qty:2) on side of docking station's mounting bracket.

3. Insert (qty:2) pan head, 1/4"-20 x 1/2" long, machine screws (Hardware Item #1) into holes and fasten card reader bracket & docking station mounting bracket to DS-GTC-600 Series docking station. Torque screws to 80 in.-lbs. with a #3 philips head driver.

4. Plug cabling (supplied with Magtek Card Reader) into card reader and position card reader such that cabling is directed towards the rear of the docking station.

5. Align card reader over card reader mounting bracket as shown. Using the indicated drive type/size, secure the card reader to the bracket with the two machine screws (supplied with the Magtek card reader) and torque to 8.0 in.-lbs (0.9 Nm) +/- 10%.

6. Plug the card reader cabling into the appropriate docking station port(s) and be sure to properly strain relieve the cables with supplied zip ties (Hardware Item #2).



HARDWARE ITEM #1
 PH3
 TORQUE 80 IN.-LBS.

HARDWARE THAT IS SUPPLIED WITH MAGTEK CARD READER
 PH1
 TORQUE 8 IN.-LBS.

HARDWARE CONTENTS					PRODUCT I.D.	DATE
ITEM #	DESCRIPTION	QTY.	FINISH	DRIVE STYLE/SIZE	DS-DA-232	05-26-16
1	1/4"-20 X 1/2" LONG, PAN HEAD MACHINE SCREW	3	W/ PATCH	PH3	PRODUCT NAME	
2	ZIP TIE, 0.09" W X 0.03" T X 4.0" L, 18# TENSILE	2	PLAIN		CARD READER BRACKET FOR DS-GTC-600 SERIES	

DRAWING NUMBER:
DS-DA-232_INST_5-16

WARNING: ALL HAVIS INC. PRODUCTS ARE DESIGNED WITH SAFETY OF USE AND INSTALLATION IN MIND. HOWEVER, IT IS THE SOLE RESPONSIBILITY OF THE OWNER/OPERATOR OF A VEHICLE USING HAVIS INC. MOUNTING AND DOCKING EQUIPMENT, TO INSURE THAT THE EQUIPMENT IS INSTALLED SO THAT IT WILL NOT INTERFERE WITH VEHICLE OPERATION, INTERFERE WITH SAFETY DEVICES, OBSTRUCT VIEW OF DRIVING CONDITIONS, OR IN ANY WAY DEGRADE OCCUPANT SAFETY. IMPROPER INSTALLATION CAN CAUSE SERIOUS INJURY IN THE EVENT OF AN ACCIDENT. INSTALLATION SHOULD ONLY BE PERFORMED BY QUALIFIED PROFESSIONALS. COMPUTERS AND MOTION DEVICES MUST BE MOVED TO AND STOWED/SECURED IN THEIR SAFE DRIVING POSITIONS BEFORE OPERATING VEHICLE.

PRODUCT DESCRIPTION
 CARD READER MOUNTING BRACKET FOR THE MAGTEK MODEL. COMPATIBLE WITH DS-GTC-600 SERIES DOCKING STATIONS.

HAVIS
 1-800-524-9900
 WWW.HAVIS.COM

WEIGHT: (LBS)
 REV. DATE
 05-26-16