

## **INSTALLATION:**

1. INSTALL BETWEEN DOCK MOUNTING BRACKET AND MOTION DEVICE USING DOCK MOUNTING HARDWARE
2. INSTALL PRINTER MOUNT TO PRINTER BRACKET USING PRINTER MOUNTING HARDWARE.
3. ADJUST PRINTER DISTANCE FROM DOCK AS DESIRED.
4. TIGHTEN HARDWARE.

## **NOTES:**

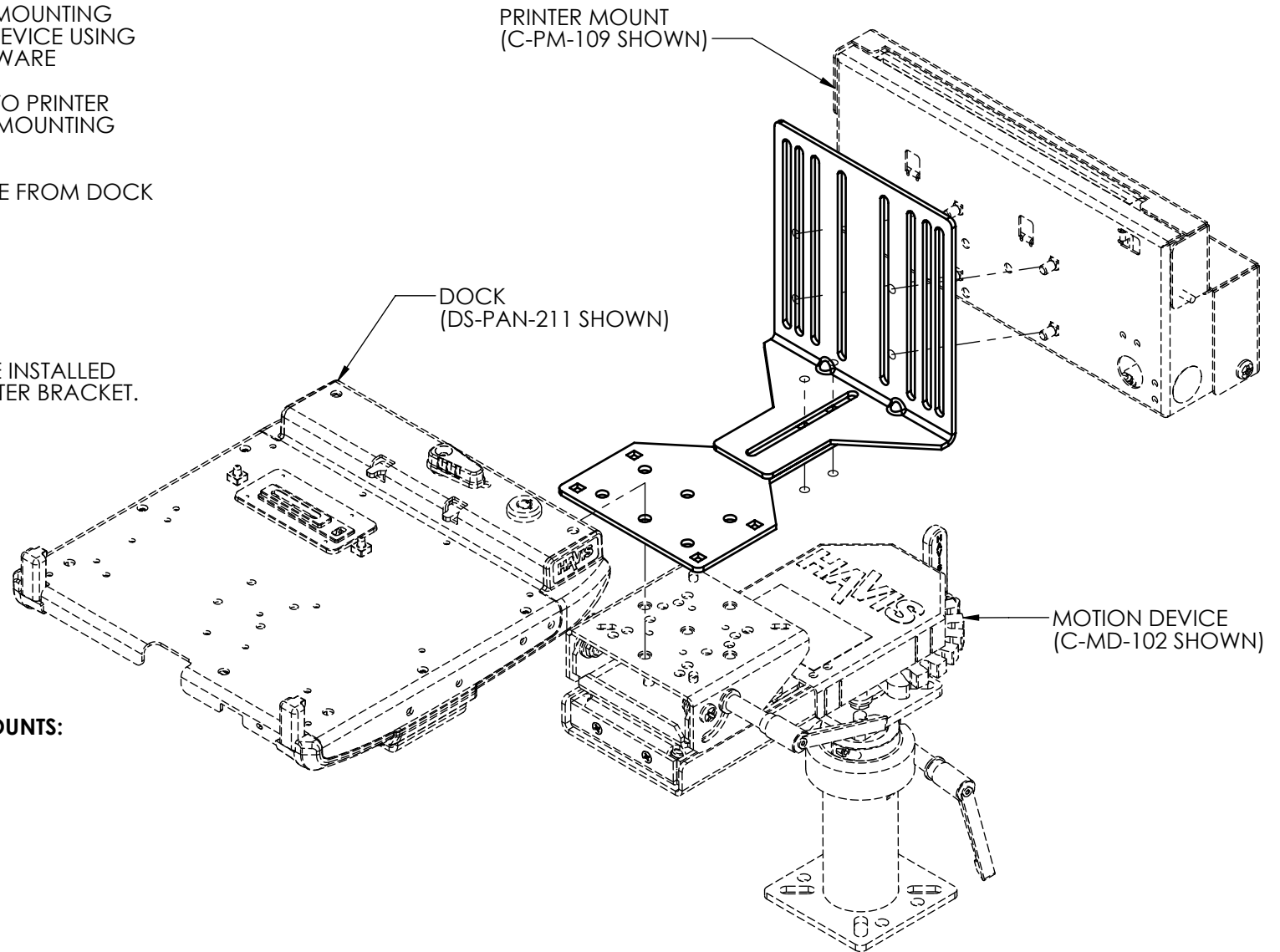
1. PRINTER BRACKET MAY BE INSTALLED BELOW OR ABOVE ADAPTER BRACKET.

## **WORKS WITH HAVIS DOCKS:**

DS-DELL-100 SERIES  
DS-DELL-230 SERIES  
DS-DELL-300 SERIES  
DS-GD-100 SERIES  
DS-GTC-100 SERIES  
DS-PAN-110 SERIES  
DS-PAN-210 SERIES  
DS-PAN-400 SERIES  
DS-PAN-410 SERIES

## **WORKS WITH HAVIS PRINTER MOUNTS:**

C-PM-101  
C-PM-103  
C-PM-106  
C-PM-107  
C-PM-109  
C-PM-110  
C-PM-111  
C-PM-112  
C-PM-115



<b>HAVIS HAVIS, INC.</b>		75 JACKSONVILLE RD. WARMINSTER, PA. 18974 1-800-524-9900
TITLE: PRINTER MT/DOCK ADAPTER BRKT		
DO NOT SCALE DRAWING		
SIZE <b>A</b>	DWG. NO. DS-DA-238-INST	REV 11-17
WEIGHT (LB): 32.25	SCALE: 1:4	SHEET 1 OF 1