

# Instructions for Havis Protective Case For Apple iPad

DS-DA-701 for iPad 2/3  
DS-DA-702 for iPad 4  
DS-DA-704 for iPad Air / Air 2  
DS-DA-705 for iPad 5/6 / Air / Air2 / Pro 9.7



## **CAUTION**

- READ ALL INSTRUCTIONS THOROUGHLY BEFORE BEGINNING INSTALLATION.

## Specifications

Power Supply Input	5V (10 Watt)
Dimensions	11.4" (28.9 cm) W x 8.7" (22.1 cm) D x 0.87" (2.2 cm) H
Weight	0.8 lbs (0.36 kg)
Operating Environment	0° C to 35° C (32° F to 95° F)
Storage Environment	-20° C to 45° C (-4° F to 113° F)

## FCC Statement / Declaration of Conformity

This device complies with the requirements of the Code of Federal Regulations listed below:  
FCC Title 47 CFR, Part 15 Class for a digital device.

Operation is subject to the following two conditions:

- (1) This device may not cause harmful interference, and
- (2) This device must accept any interference received, including interference that may cause undesired operation.

NOTE: This equipment has been tested and found to comply with the limits for a Class B digital device, pursuant to part 15 of the FCC Rules. These limits are designed to provide reasonable protection against harmful interference when the equipment is operated in a commercial environment. This equipment generates, uses, and can radiate radio frequency energy and, if not installed and used in accordance with instruction manual, may cause harmful interference to radio communications. Operation of this equipment in a residential area is likely to cause harmful interference in which case the user will be required to correct the interference at his own expense.

# Compatibility Matrix

	Havis Product	Apple iPad Model(s)	Compatible Havis Products
Docking Stations	DS-APP-102	All (2, 3, 4, 5, 6, Air, Air 2, & Pro 9.7)	DS-DA-701 DS-DA-702 DS-DA-704 DS-DA-705
	DS-APP-112	Air, Air 2, Pro 9.7, & iPad 5 & 6	DS-DA-705
Protective Cases	DS-DA-701	iPad 2 & 3	DS-APP-102
	DS-DA-702	iPad 4	DS-APP-102
	DS-DA-704	Air & Air 2	DS-APP-102
	DS-DA-705**	Air, Air 2, Pro 9.7, iPad 5 & 6	DS-APP-102 DS-APP-112
Docking Station/Case Packages	PKG-DS-APP-102 <i>(includes DS-APP-102* &amp; DS-DA-701)</i>	iPad 2 & 3	n/a
	PKG-DS-APP-112 <i>(includes DS-APP-102* &amp; DS-DA-702)</i>	iPad 4	n/a
	PKG-DS-APP-142 <i>(includes DS-APP-112 &amp; DS-DA-705**)</i>	Air, Air 2, Pro 9.7, iPad 5 & 6	n/a

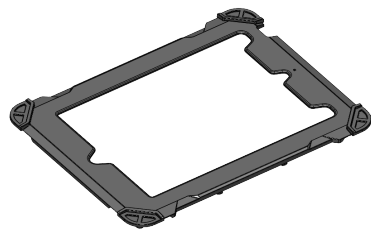
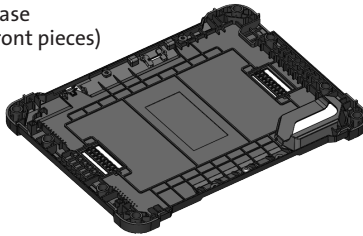
\* Compatible with all Havis Protective Cases

\*\* Apple Pencil is not compatible due to pairing requirements. The Apple Pencil 1st Generation requires direct access to the Lighting Connector on the iPad and will not pair via Bluetooth Connection.

## Parts Included

*(Original Instructions)*

- Protective Case  
(Back and Front pieces)

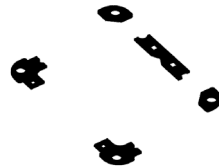


- Hand Strap (1)

**NOTE:** The Hand Strap comes pre-attached to the back of the Protective Case. If the Hand Strap will not be utilized, remove prior to assembly.



- Rubber Corners/Edge (5)



- #4-20 x 3/8" Plastite Screws (12)



- Micro-USB Power Cable (1)



## Tools Required

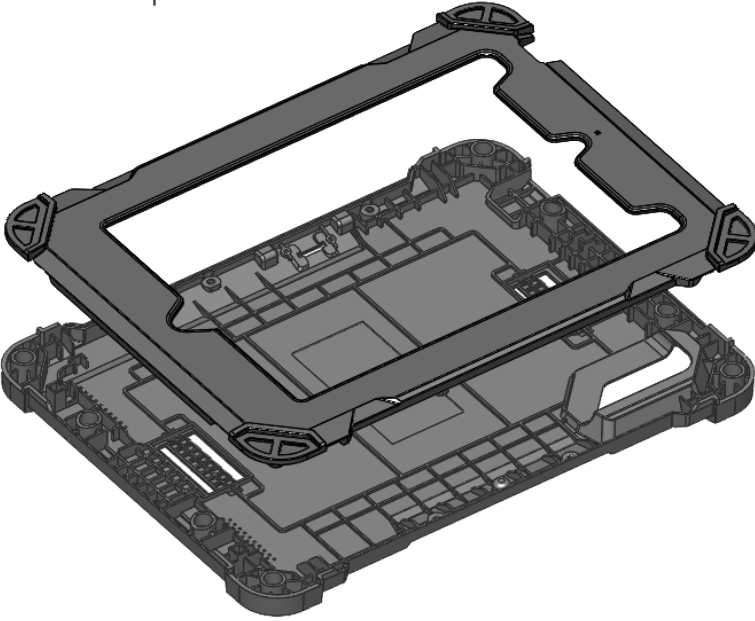
- #1 Phillips Screwdriver



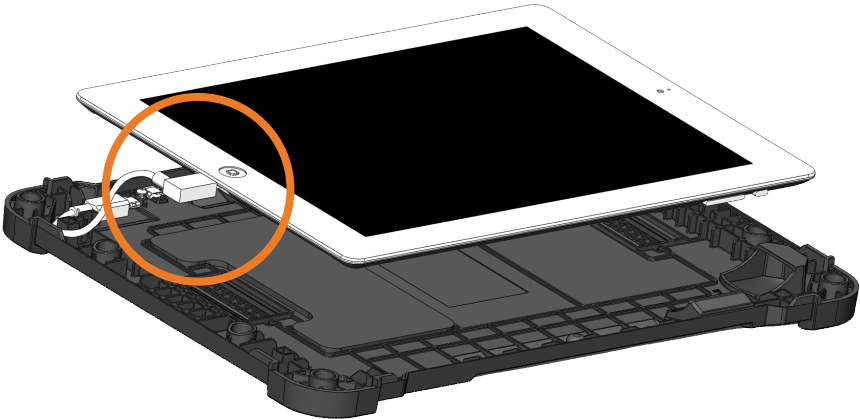
# Installation

---

1. Remove Protective Case from packaging and separate the Back piece from the Front piece.

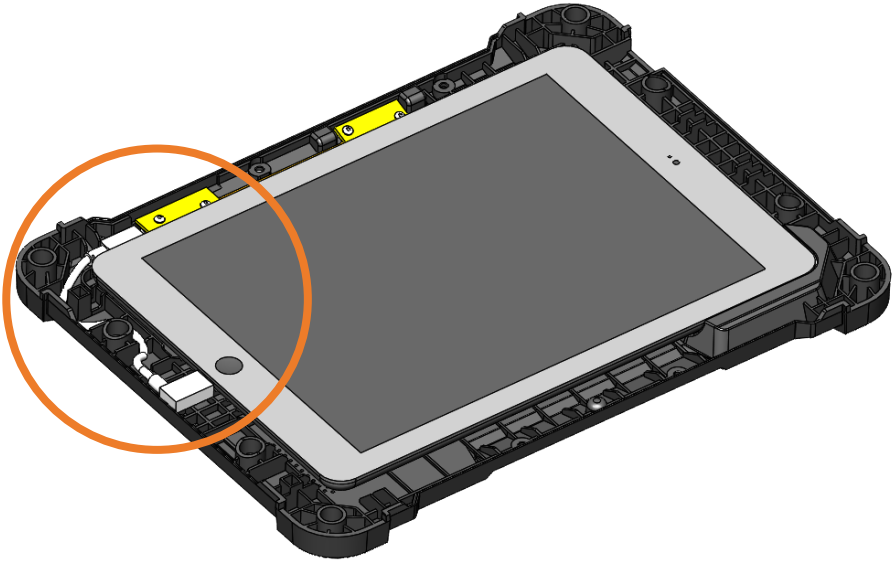


2. Insert the connector from the Protective Case into the Apple iPad.

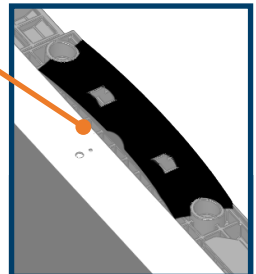
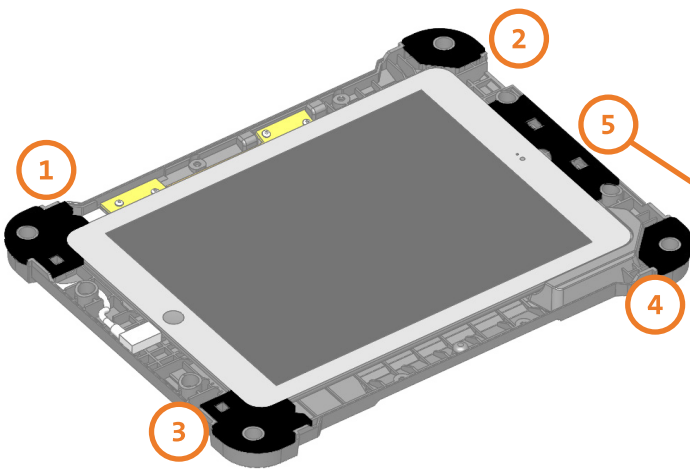


## Installation (continued)

3. Place the iPad into the Back piece of Protective Case, ensuring the connector cable is routed as shown.



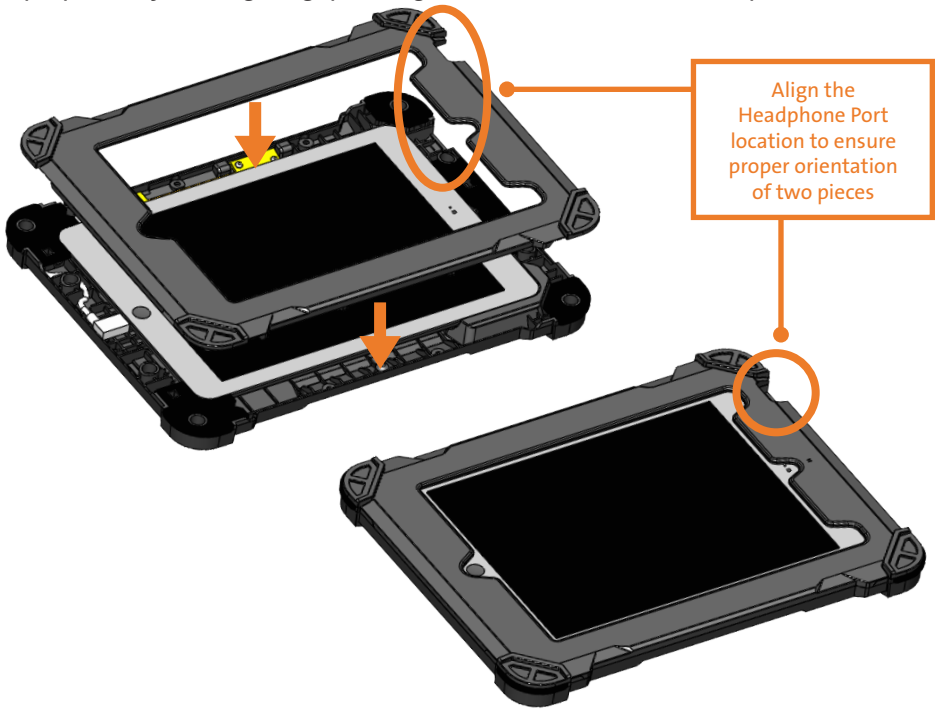
4. Place the five (5) Rubber Corners & Edge onto the Back piece of Protective Case, ensuring each one aligned properly or they will not fit securely in place. Insert Rubber Edge piece (#5 below) with short edge along outside edge of Protective Case.



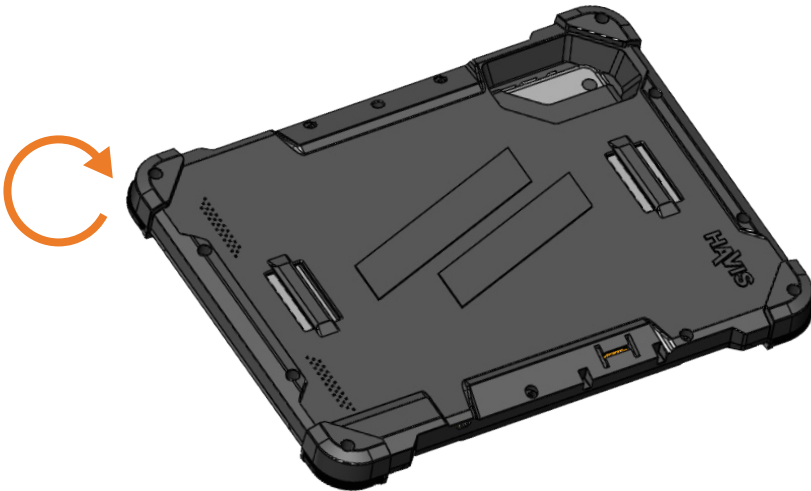
Some slight warping will be evident if inserted incorrectly

## Installation *(continued)*

5. Place the Front piece of Protective Case on the Back piece. Ensure a proper fit by looking for gaps along the seam between the two pieces.

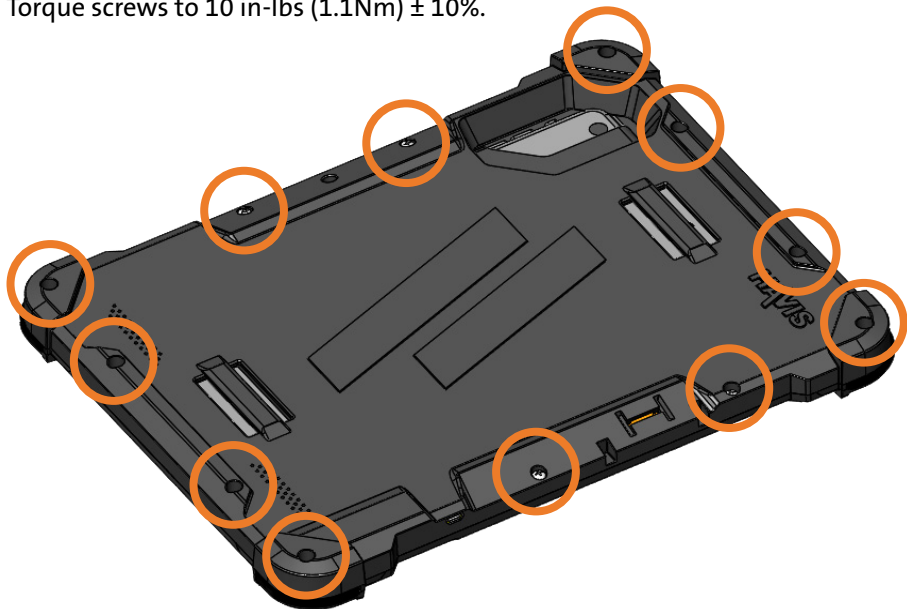


6. Holding the two pieces together, carefully turn the Protective Case over.

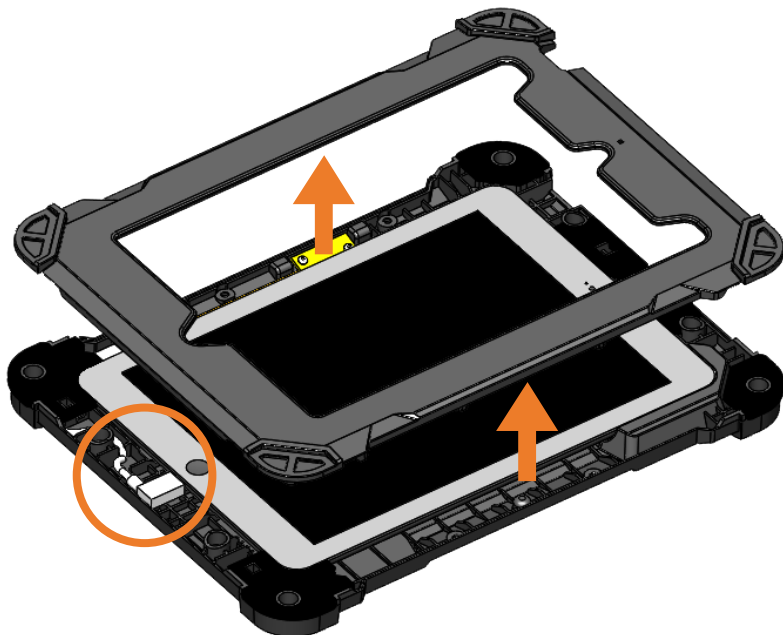


## Installation *(continued)*

7. Insert all twelve (12) screws and then tighten with #1 phillips screwdriver. Torque screws to 10 in-lbs (1.1Nm)  $\pm$  10%.



8. To remove your Apple iPad from the Havis Protective Case, simply remove the twelve screws, turn the case over, and lift the Front piece of Protective Case off the Back piece. Unplug the connector, and remove tablet.



## Charging Your Tablet

---

**NOTE: The Havis iPad Protective Case is designed to be charged using a designated Havis Docking Station.**  
*(See the Compatibility Matrix on Page 2)*

If you have the need to charge your tablet when not docked, use the supplied Micro-USB cable. Simply connect the Micro-USB cable to the Protective Case, then insert the other end of the cable into a 5V (10Watt) power source.





## Related Product

---

Havis offers a Docking Station specifically for use with the DS-DA-700 Series Protective Case. For more information or to order, please visit [www.havis.com](http://www.havis.com).



### **DS-APP-100 Series** ***Docking Station***

Docking Station for Apple iPad for in vehicle computing.

## **Havis, Inc.**

75 Jacksonville Road  
Warminster, PA 18974

[www.havis.com](http://www.havis.com) 1-800-524-9900