

# Owner's Manual

## Havis Slim Docking Station for Dell Latitude Rugged 12 Tablet

### DS-DELL-610 Series

DS-DELL-611

DS-DELL-613

DS-DELL-611-2

DS-DELL-613-2

DS-DELL-612

DS-DELL-616

DS-DELL-612-2

DS-DELL-616-2



Havis is pleased to provide this Owner's Manual to aid in the proper installation and use of the DS-DELL-610 Series Docking Station for Dell Latitude Rugged 12 Tablet

For questions regarding the set-up of your DS-DELL-610 Series Docking Station, please contact Havis at 1-800-524-9900 or visit [www.havis.com](http://www.havis.com) for additional product support and information.

This Owner's Manual applies to the following Part Numbers:

DS-DELL-611	DS-DELL-612	DS-DELL-613	DS-DELL-616
DS-DELL-611-2	DS-DELL-612-2	DS-DELL-613-2	DS-DELL-616-2

## **WARNING**

- **NEVER STOW OR MOUNT THE DOCKING STATION DIRECTLY IN A VEHICLE AIRBAG DEPLOYMENT ZONE.**
- **DO NOT USE COMPUTER WHILE DRIVING.**

## **CAUTION**

- **READ ALL INSTRUCTIONS THOROUGHLY BEFORE BEGINNING INSTALLATION.**
- **DO NOT STORE, INSTALL, OR OPERATE THE DOCKING STATION WHERE WATER, MOISTURE, STEAM, DUST, ETC. ARE PRESENT**
- **FOR THE DS-DELL-611, DS-DELL-611-2, DS-DELL-612, DS-DELL-612-2 DOCKING STATIONS: DO NOT CONNECT DIRECTLY TO VEHICLE VOLTAGE SOURCE:** This product requires a certified, automotive grade, Dell approved 90W power source rated for a continuous, regulated 19.5VDC output (Havis Part Number LPS-138 or equivalent). Failure to comply with this requirement will cause product damage that is NOT covered under warranty.

## **NOTICE**

- **FOR DOCKING STATION MODELS EQUIPPED WITH A BUNDLED POWER SUPPLY (DS-DELL-612/612-2/616/616-2) REFER TO THE SUPPLIED LIND POWER SUPPLY REFERENCE GUIDE.**

## EC DECLARATION OF CONFORMITY

**Manufacturers Name:** Havis, Inc.  
**Manufacturers Address:** 75 Jacksonville Road, Warminster, PA 18974 USA

**This declaration of conformity is issued under the sole responsibility of the manufacturer.**

Product name:	Tablet Docking Station
Model:	DS-DELL-61x, where 'x' may be any alphanumeric character and which describes product options.
(Object of Declaration)	May be followed by any alphanumeric characters which describe product options.
Product Options:	This declaration covers all options of the above product which bear the CE Marking.

**Is in conformity with the following directives, standards, or other normative documents:**

EMC Directive 2014/30/EU	EN 55022::2010/AC:2011 EN 55024:2010
RoHS Directive 2011/65/EU	EN 50581:2012

The object of the declaration described above is in conformity with Directive 2011/65/EU of the European Parliament and of the Council of 8 June 2011 on the restriction of the use of certain hazardous substances in electrical and electronic equipment.

### **Supplementary Information:**

The object of the declaration described above is in conformity with the relevant Union harmonisation legislation.

Signed for and on behalf of Havis, Inc.:  
Warminster, PA, USA August 13, 2015

Bruce Jonik, Director of Engineering, Havis, Inc.

**FCC 47CFR, Part 15 compliance:** This is an FCC Class B device. Any changes or modifications to the model DS-DELL-61X not expressly approved by Havis, Inc. could void the user's authority to operate this equipment.

# Table of Contents

Specifications .....	3
Parts Included .....	3
Port Replication Capability .....	5
Antenna Identification .....	5
Installation and Cable Management .....	6
Operation - Docking .....	8
Operation - Undocking .....	10
Precautions	

- Do not place metal objects or containers of liquid on top of the Docking Station
- If a malfunction occurs, immediately unplug the Power Supply and remove the tablet
- Use only the specified Power Supply (*Part # LPS-138 or equivalent*) with this Docking Station,
- Do not connect cables into ports other than what they are specified for
- Do not leave the Docking Station in a high temperature environment (greater than 85°C, 185°F) for a long period of time

## Specifications

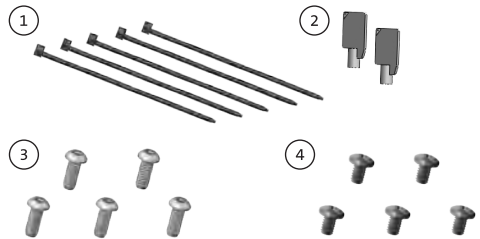
Power Supply Input	19.5V DC
Dimensions	10.06" ( 25.6 cm ) H x 12.45" ( 31.2 cm ) W x 2.89" ( 7.34 cm ) D
Weight	4.20 lbs ( 1.91 kg )
Operating Environment	-29° C to 63° C ( -20° F to 145° F )
Storage Environment	-40° C to 85° C ( -40° F to 185° F )

## Parts Included

### Hardware Kit (*HWK-0046*)

This Hardware Kit includes:

1. Zip Ties (5)
2. Keys (2)
3. 1/4"-20 x 5/8" long Button Head Screws (5)
4. 1/4"-20 x 3/8" long Pan Head Screws (5)

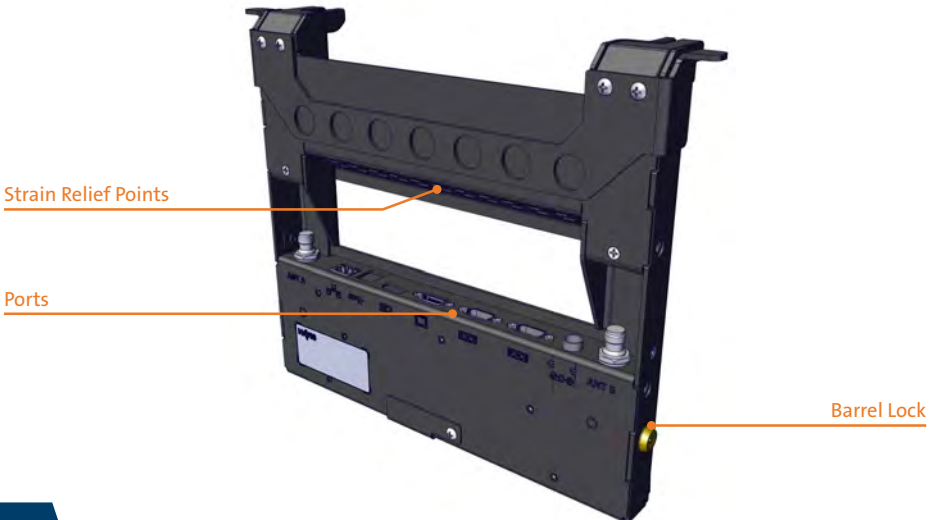
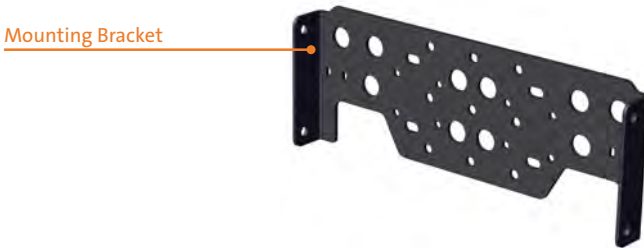
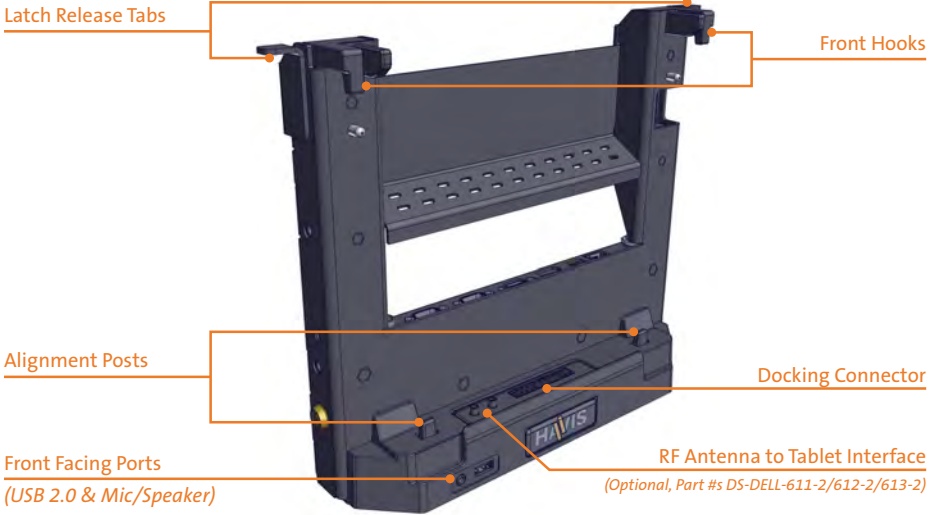


Tools required for installation:

- 5/32" Hex Drive  
(For attaching Mounting Bracket to Motion Device with Button Head 1/4"-20 Screws)
- #3 Phillips  
(For attaching Mounting Bracket to Docking Station with Pan Head 1/4"-20 Screws)

# Parts Included (continued)

## Docking Station



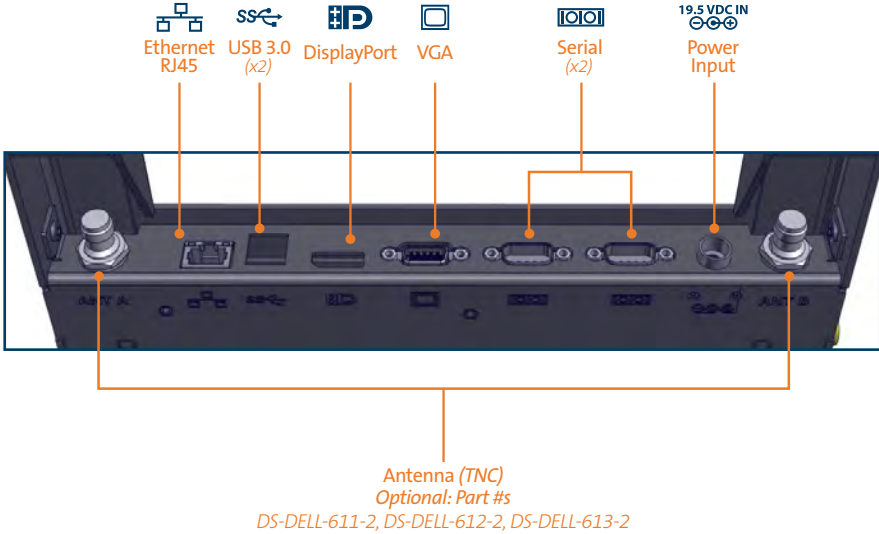
# Port Replication Capability

## Forward Facing Ports

(All Docking Stations, not including DS-DELL-613 & DS-DELL-613-2)



## Rear Ports



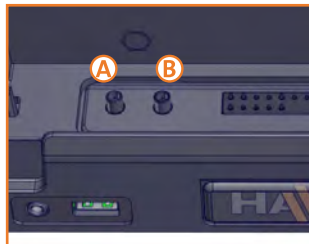
## Antenna Identification (DS-DELL-611-2, DS-DELL-612-2, DS-DELL-613-2)

- (A) WIFI**
- (B) CELLULAR**

### Antenna Connectors (TNC)



### Tablet Interface

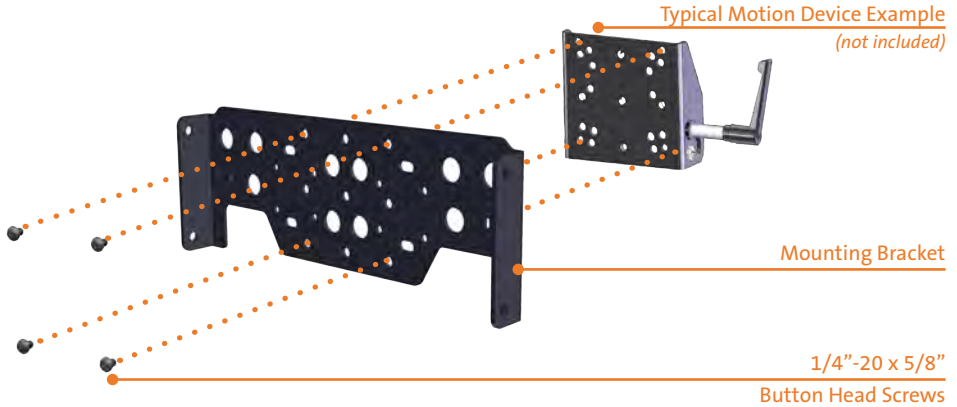


# Installation and Cable Management

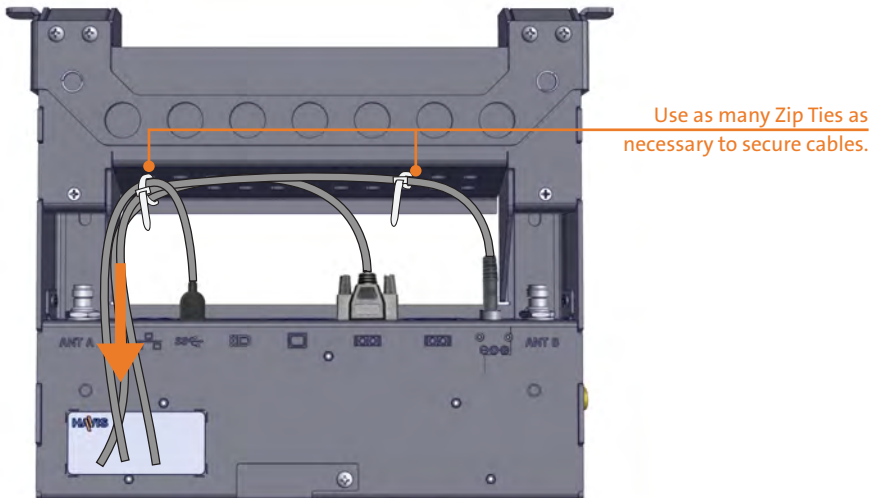
**NOTE:** We recommend applying a drop of medium strength (blue) thread locking adhesive to the threads of all fasteners.

- 1) Remove the Mounting Bracket from the packaging. Install the Mounting Bracket to the Motion Device using (4) 1/4"-20 x 5/8" long button head screws (Hardware Kit Item 3). Torque screws to 80 in-lbs (9.0Nm)  $\pm$  10%.

*NOTE: Numerous hole patterns present in Mounting Bracket will accommodate Havis Motion Devices as well as most competitors'*



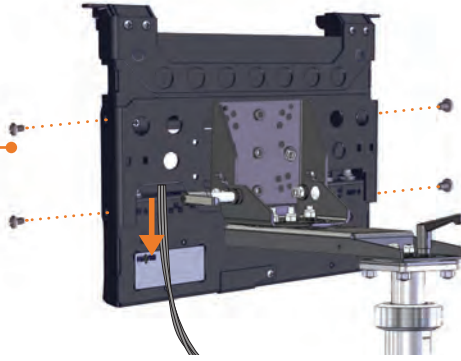
- 2) Install all cables that are necessary for computing needs. Use Zip Ties (Hardware Kit Item 1) to strain relieve cables to the Strain Relief Points, routing all cables together downward on either or both sides.



## Installation and Cable Management (*continued*)

- 3) Ensuring the bundled cables exit through the opening(s) in the Mounting Bracket, place the Docking Station onto the Mounting Bracket and secure with (4) 1/4"-20 x 3/8" long pan head screws (Hardware Kit Item 4). Torque screws to 80 in-lbs (9.0 Nm)  $\pm$  10%.

1/4"-20 x 3/8"  
Pan Head Screws



- 4) Secure cable bundle to the Mounting Bracket with a supplied Zip Tie.
- 5) Create a service loop with cable bundle to ensure that no tension is on the connectors and to enable intended motion.
- 6) Tie off cables onto a stationary part of the mounting system.  
(Mounting system not included with Docking Station)

4

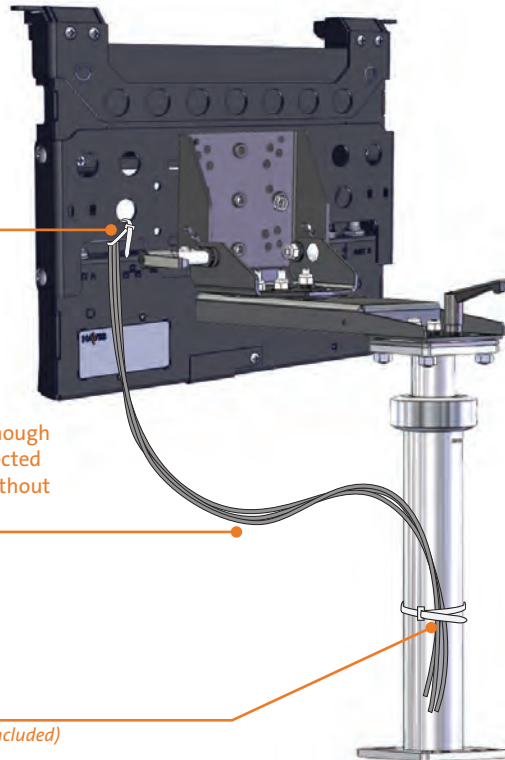
5

This loop must be large enough to allow full range of expected rotation and extension without stressing connections.

6

Collect cables to secure to the mounting system

(Note: mounting system not included)

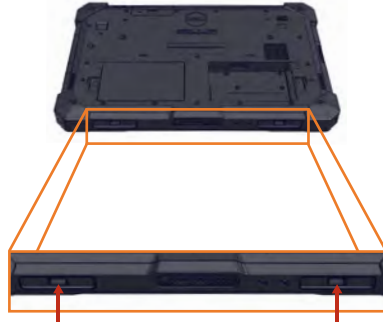


## ⚠ CAUTION

**DO NOT FORCE TABLET ONTO DOCKING STATION.  
IF THERE IS RESISTANCE, CHECK THE ALIGNMENT OF TABLET ON DOCKING STATION.**



Your tablet's bottom Alignment Sockets will align with the Docking Station's Alignment Posts.



- 1) Ensure Docking Station is unlatched by pulling up the Latch Handles.



- 2) Hold tablet in landscape orientation, with bottom angled toward Docking Station. Lower tablet into the bottom of the Docking Station by aligning the tablet Alignment Sockets with the Docking Station's Alignment Posts.



## ⚠ WARNING



**DO NOT DOCK TABLET BACKWARDS  
IN THE DOCKING STATION OR  
DAMAGE TO THE SCREEN, TABLET  
ELECTRONICS, AND DOCKING  
STATION ELECTRONICS WILL RESULT**



## Operation - Docking (continued)

- 3) Pivot the top of tablet into Docking Station and apply light rearward pressure to top of tablet. The Front Hooks will align with tablet's top alignment sockets and secure tablet.



- 4) For theft deterrence, secure tablet by locking Docking Station with supplied key (Hardware Kit item 2).



## Operation - Undocking

---

- 1) If previously locked, unlock Docking Station using supplied key.



- 2) While holding tablet with one hand, lift the Latch Handles up and the Front Hooks will release the tablet.



- 3) Once unlatched grab both sides of tablet and carefully lift up and out of the Docking Station, top end first.



## Related Products

---

Havis offers a wide variety of accessory products specifically for use with the DS-DELL-610 Series Docking Station. For more information or to order, please visit [www.havis.com](http://www.havis.com).



### **LPS-138** ***90W Power Supply***

External power supply with cigarette lighter adaptor and Dell mini-Bondi output cable for Havis Docking Stations.



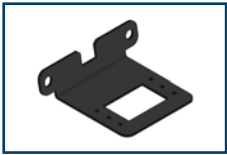
### **LPS-204** ***Power Supply Mounting Kit***

Attach the LPS-138 Power Supply to DS-DELL-610 Series Docking Stations.



### **DS-DA-218** ***Desktop Stand***

Durable stand for mounting the DS-DELL-610 Series Docking Stations in the home or office.



### **DS-DA-231** ***Card Reader Bracket***

Mount E-Seek 250 and 260 card readers with this bracket for the DS-DELL-610 Series Docking Stations.



### **DS-DA-232** ***Card Reader Bracket***

Mount Magtek card reader with this bracket for the DS-DELL-610 Series Docking Stations.



### **DS-DA-503** ***Replacement Keys***

Set of two (2) replacement keys for DS-DELL-610 Series Docking Stations.



## Havis, Inc.

75 Jacksonville Road  
Warminster, PA 18974  
[www.havis.com](http://www.havis.com) 1-800-524-9900