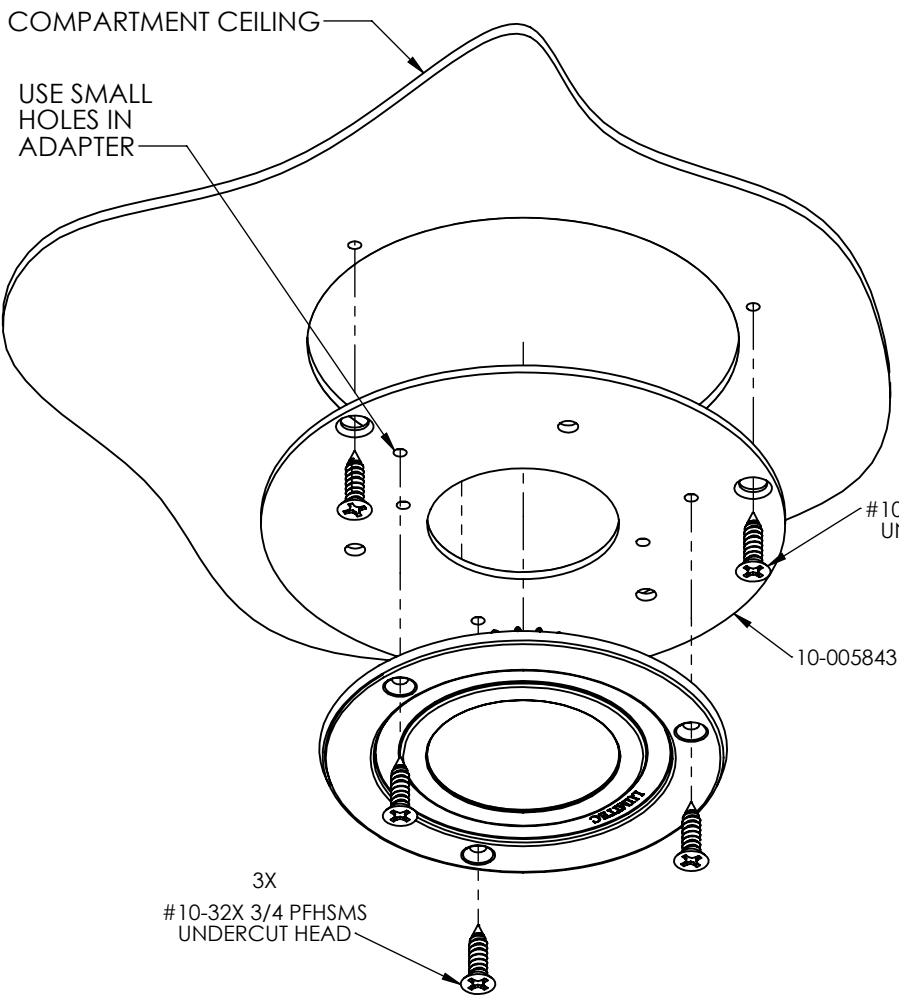
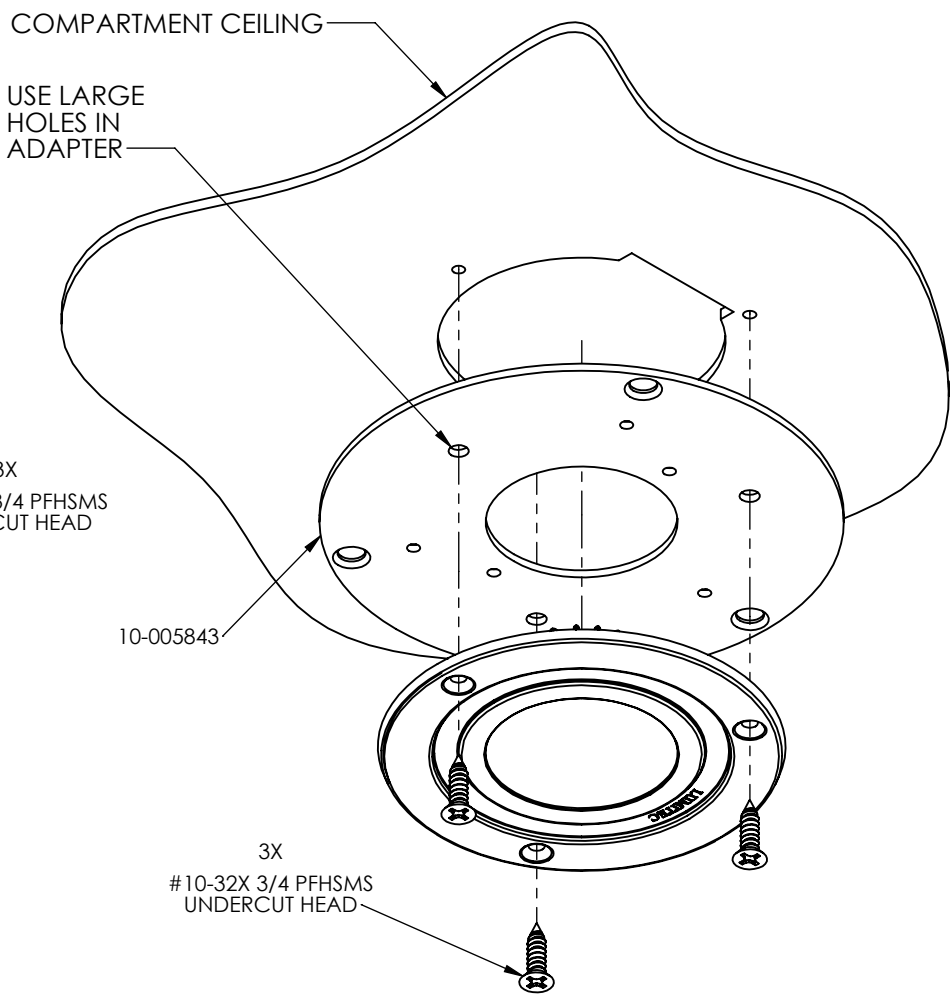


PROJECT #	REV.	DESCRIPTION	DATE	BY	CHECKED BY
2359	A	RELEASE TO PRODUCTION	8/26/16	PMELAYA	



INSTALLING IN K9 KIT



INSTALLING IN KK-KIT

PROPRIETARY AND CONFIDENTIAL THE INFORMATION CONTAINED IN THIS DRAWING IS THE SOLE PROPERTY OF HAVIS, INC. ANY REPRODUCTION IN PART OR AS A WHOLE WITHOUT THE WRITTEN PERMISSION OF HAVIS IS PROHIBITED.		UNLESS OTHERWISE SPECIFIED: ALL DIMENSIONS ARE IN INCHES ALL THREADS ARE IN UNC-2A/2B OR UNF-2A/2B AFTER COATING AND TOLERANCES ARE: .XX .XXX ANGLES ±.02 ±.010 ± 1 DEG		HAVIS HAVIS, INC. <small>75 JACKSONVILLE RD. WARMINSTER, PA. 18974 1-800-524-9900</small>	
STANDARD 98-000004 SPEC'S REQUIRED: DESIGNED BY: KDAVIS DRAWN BY: KDAVIS CHECKED BY: - REF # K9-A-106-INST		MATERIAL: SEE BOM FINISH: NONE AREA(SQ. IN.): 167.59		TITLE: LED OVERHEAD LIGHT INSTALLATION INSTRUCTION DO NOT SCALE DRAWING SIZE A DWG. NO. K9-A-106-INST REV A	
		WEIGHT (LB): 0.89		SCALE: 1:2	
				SHEET 1 OF 1	