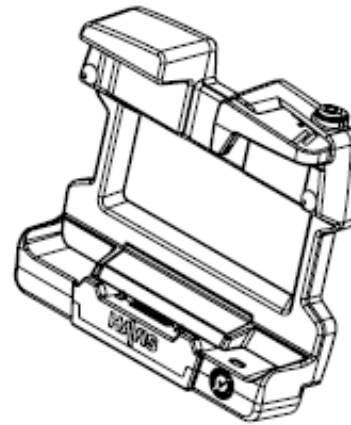


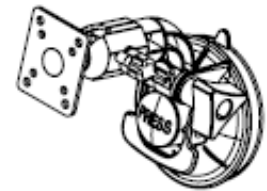
DS-PAN-1302



C-ADP-112



WIN-101



**PKG-HCS-PAN-1302-WIN**

