

# INSTALLATION INSTRUCTIONS

## PT-A-919 Prisoner Transport Van Harness

**Also includes specific wiring instructions for Rear Load Light (PT-A-916) and Interior LED Dome light (PT-A-912)**

**TOOLS & INSTALLER SUPPLIED PARTS REQUIRED:**

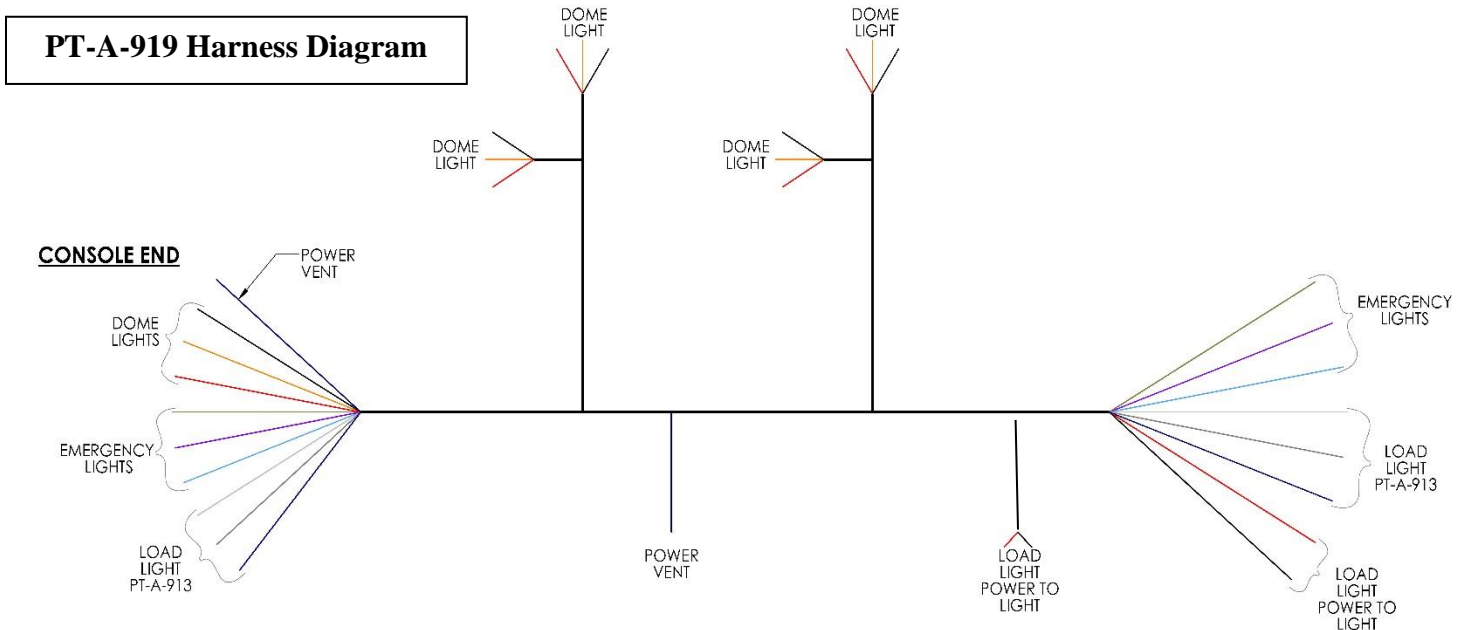
Wire Cutter / Crimper

Wire Terminals and Connectors

Wire ties

**WIRE LEGEND:**

<u>GAUGE</u>	<u>DESCRIPTION</u>	<u>COLOR</u>
14	PT-A-916 Load light wiring	Blue
16	PT-A-916 Load light wiring	Gray
14	PT-A-916 Load light wiring	White
14	PT-A-916 Load light wiring	Red
14	PT-A-916 Load light wiring	Black
12	PT-A-903 Power Vent wiring	Blue
16	Rear emergency lighting wiring	Blue
16	Rear emergency lighting wiring	Purple
16	Rear emergency lighting wiring	Tan
16	Dome light wiring	Red
16	Dome light wiring	Black
16	Dome light wiring	Orange



**Always!**

➤ Read all instructions before installing any Havis, Inc. products.



Loosely install the harness in the van by lining up the first set of dome light wires to the first cross beam.



Route the harness down the "B" pillar and towards the console area.

***For vans not getting a console the wiring can be ran as needed to customer supplied switches.***



Continue running the harness towards the rear of the van attaching to the OEM harness as needed.

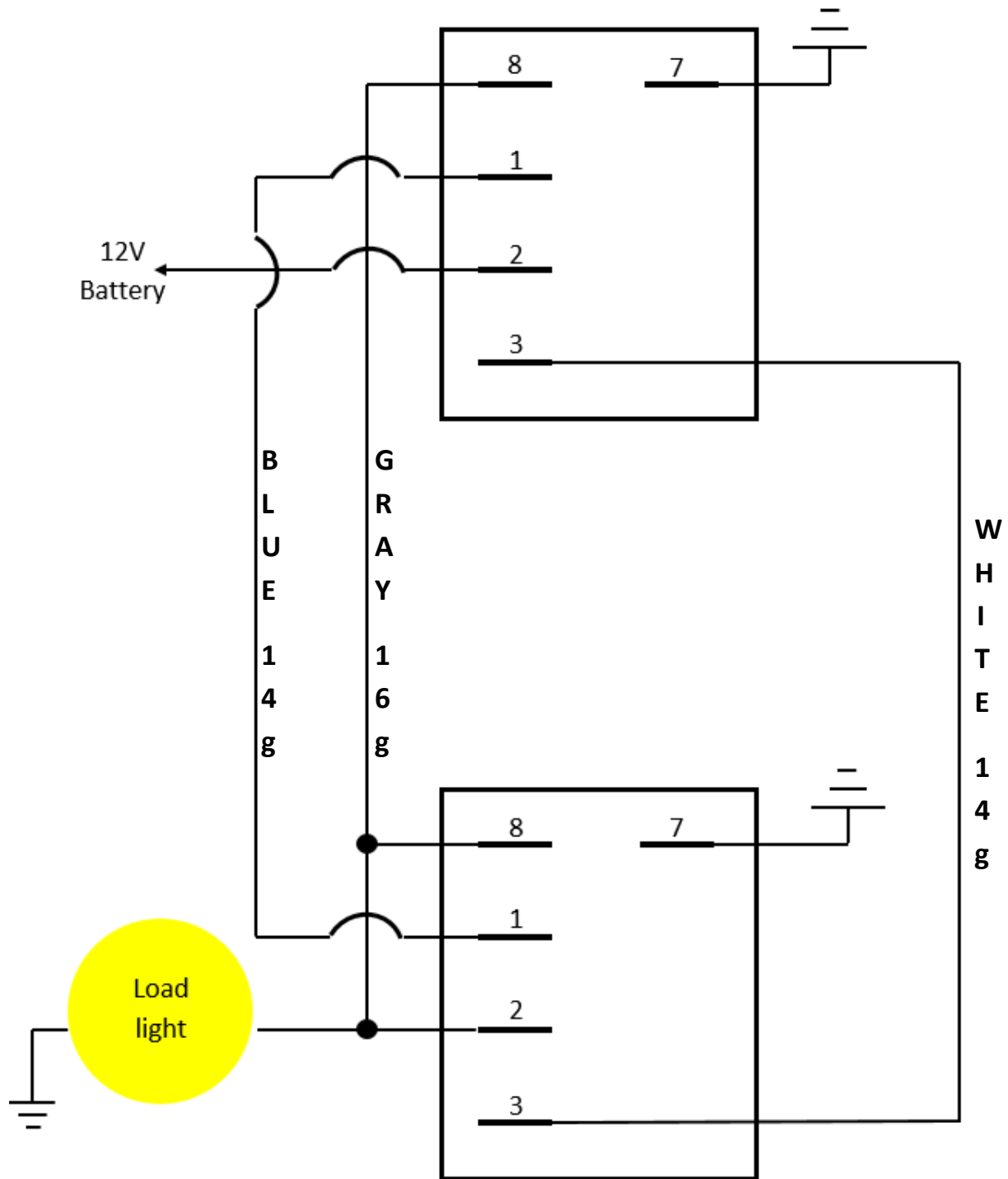


Route the harness around the top of the rear door opening and towards the passenger side of the van.

***Rear emergency lighting can be added in at any point to the harness.***

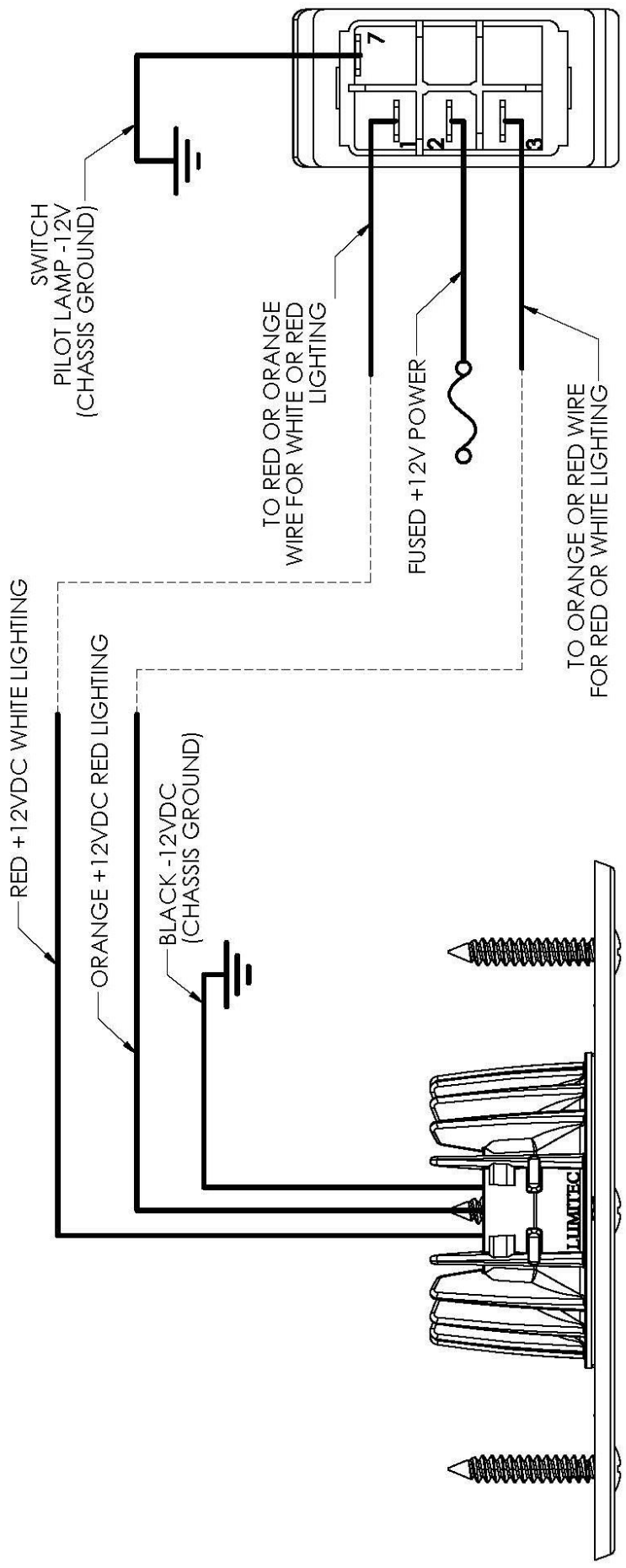
***For vans not using the PT-A-916 option, the wires can be used as spares.***

**PRISONER TRANSPORT OPTION**  
**ROOF MOUNTED REAR LOAD LIGHT (PT-A-916)**  
**3-WAY Switching Diagram using C-SW-8 Rocker Switches**



PROJECT #	REV.	DESCRIPTION	DATE	BY	CHECKED BY
1026	A	RELEASE TO PRODUCTION	08/23/13	K DAVIS	
1026	B	ADDED SWITCH DIAGRAM AND NOTE 4.	12/20/2013	K DAVIS	

- NOTES:**
- ORANGE COLOR WIRE IS FOR RED LIGHT.
  - RED COLOR WIRE IS FOR WHITE LIGHT.
  - WHEN BOTH RED AND ORANGE WIRES HAVE +12VDC, ONLY RED LIGHT IS LIGHTED.
  - SWITCH MAY BE WIRED SO THAT EITHER UP OR DOWN POSITION ACTIVATES RED OR WHITE LIGHTING.
  - TO AVOID INADVERTANT BATTERY DRAIN, IT IS RECOMMENDED THAT LIGHTING BE WIRED TO A SOURCE THAT IS ONLY HOT WHEN IGNITION IS ON OR IN THE ACCESSORY POSITION.



**C-SW-2**  
**3 POSITION SWITCH**  
 (VIEW FROM REAR OF SWITCH)

<b>PROPRIETARY AND CONFIDENTIAL</b> THE INFORMATION CONTAINED IN THIS DRAWING IS THE SOLE PROPERTY OF HAVIS, INC. ANY REPRODUCTION IN PART OR AS A WHOLE WITHOUT THE WRITTEN PERMISSION OF HAVIS IS PROHIBITED. STANDARD 98-000004 SPECS REQUIRED:	<b>UNLESS OTHERWISE SPECIFIED:</b> ALL DIMENSIONS ARE IN INCHES ALL THREADS ARE IN UNF-2A/2B OR UNF-2A/2B AFTER COATING AND TOLERANCES ARE: .XX .XXX ANGLES ±.02 ±.010 ±.1 DEG	<b>HAVIS HAVIS, INC.</b> 75 JACKSONVILLE RD. WARRMINSTER, PA. 16974 P-800-624-9900	
		<b>TITLE:</b> WIRING, LED DUAL COLOR LIGHT	
DESIGNED BY: K DAVIS	MATERIAL: SEE BOM	<b>DO NOT SCALE DRAWING</b>	
DRAWN BY: K DAVIS	FINISH: NONE	SIZE <b>A</b>	REV <b>B</b>
CHECKED BY: -	AREA(SQ. IN.): 17.05	WEIGHT (LB): 0.51 SCALE: 1:1 SHEET 1 OF 1	
REF # C3M01213-WD			