

INSTALLATION INSTRUCTIONS

Three Window Bars or Window Guards for Rear cargo Area For 2020 Ford Interceptor Utility

TOOLS REQUIRED:

Standard and Metric Socket set	Phillips Screwdriver	Trim removal tool
Plastic cutting tool (Utility Knife)	Drill & drill bits	

PARTS and MOUNTING HARDWARE:

WGI-F28-RC

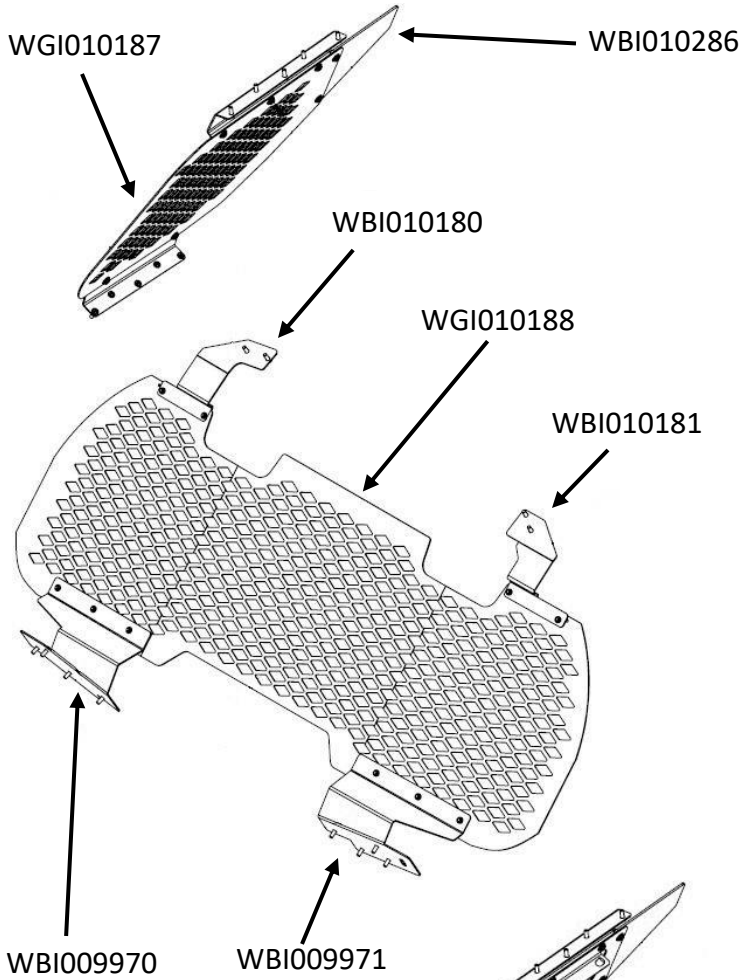
<u>QTY</u>	<u>DESCRIPTION</u>	<u>PART#</u>
1	Lower rear window mounting bracket DS	WBI009970
1	Lower rear window mounting bracket PS	WBI009971
2	Lower side window mounting bracket	WBI009981
2	Upper side window mounting bracket	WBI009982
1	DS upper rear window bracket	WBI010180
1	PS upper rear window bracket	WBI010181
2	Side window guard	WGI010187
1	Rear window guard	WGI010188
2	Side window light pod filler	WBI010286
4	10-32 Nylock nut	GSM30015
24	#10 Flat washer	GSM31046
4	10-32 x 1/2" Screw	GSM33118
32	#10 x 1/2" Tek screw	GSM33500
20	10-32 x 3/8" Stainless steel screw	GSM34096

WBI-F28-RC

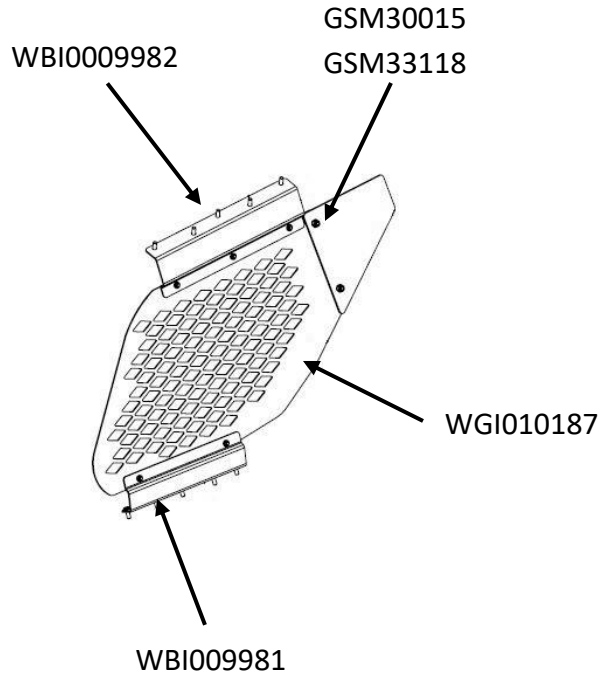
<u>QTY</u>	<u>DESCRIPTION</u>	<u>PART#</u>
1	Lower rear window mounting bracket DS	WBI009970
1	Lower rear window mounting bracket PS	WBI009971
2	Lower side window mounting bracket	WBI009981
2	Upper side window mounting bracket	WBI009982
1	DS upper rear window bracket	WBI010180
1	PS upper rear window bracket	WBI010181
2	Side window light pod filler	WBI010286
1	Rear window bars	WBI009965
1	DS side window bars	WBI009975
1	PS side window bars	WBI009984
4	10-32 Nylock nut	GSM30015
24	#10 Flat washer	GSM31046
4	10-32 x 1/2" Screw	GSM33118
32	#10 x 1/2" Tek screw	GSM33500
20	10-32 x 3/8" Stainless steel screw	GSM34096

Always!

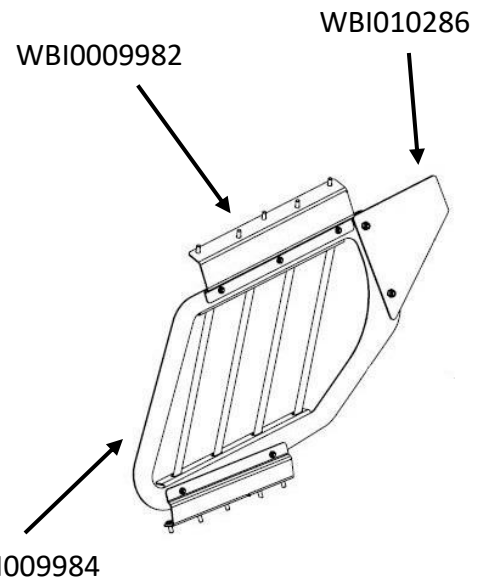
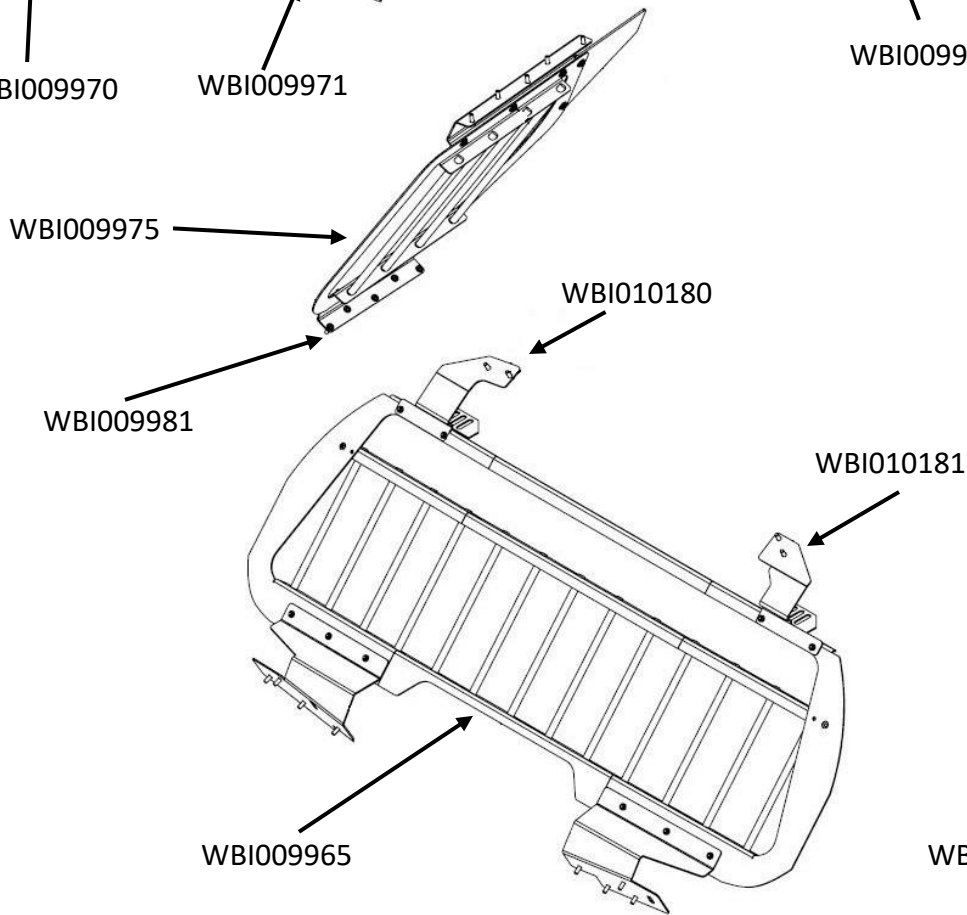
- Read all instructions before installing any Havis, Inc. products.
- **Check for obstructions (Wires, brake lines, fuel tank, etc.) before drilling any holes!**
 - Use hardware provided with install kit



WGI-F28-RC



WBI-F28-RC

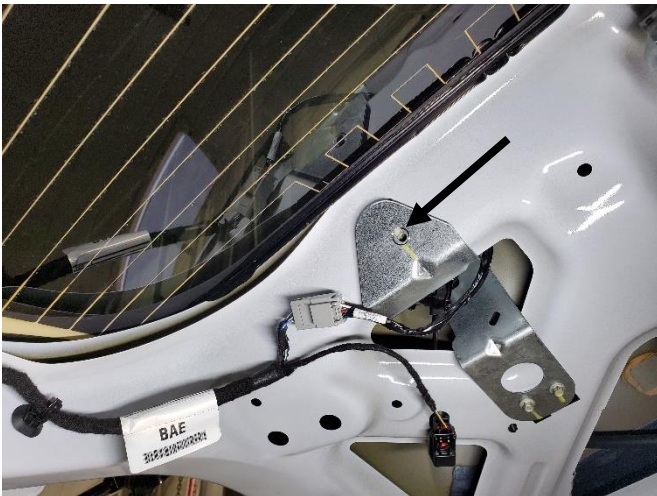




Carefully remove OEM trim from rear hatch



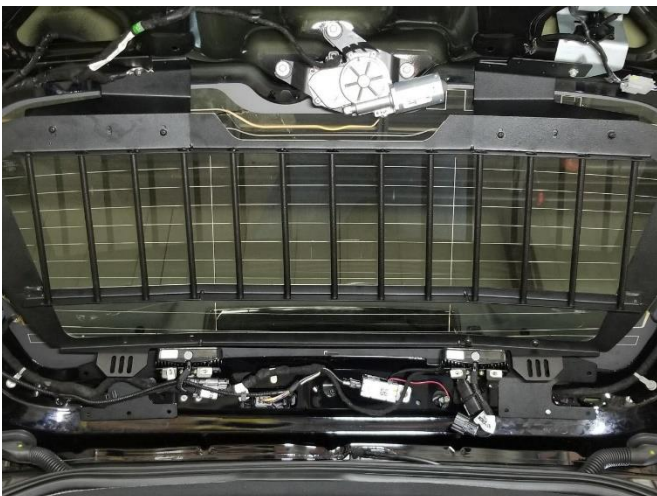
Temporarily remove ground bolt from driver side of trim panel. (5/16 socket)



Temporarily remove OEM fastener from door lock mounting bracket. (5/16 socket)



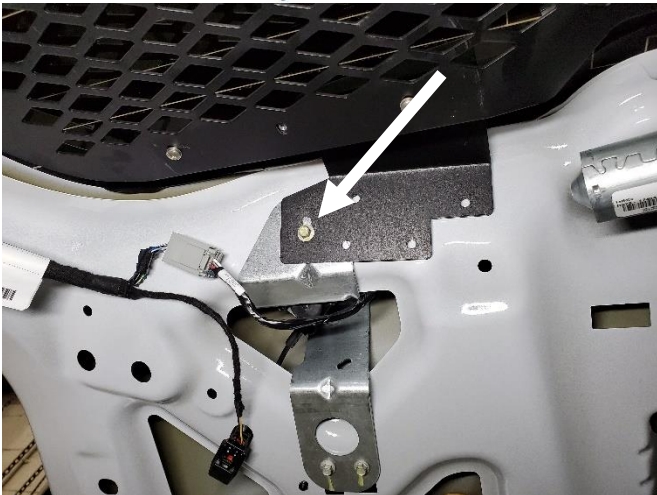
Attach mounting brackets to rear window screen and hold up to interior window frame.



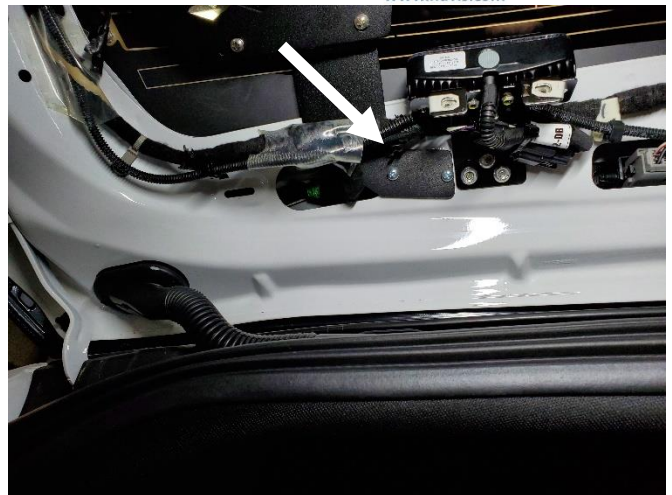
Follow same process for window bars.



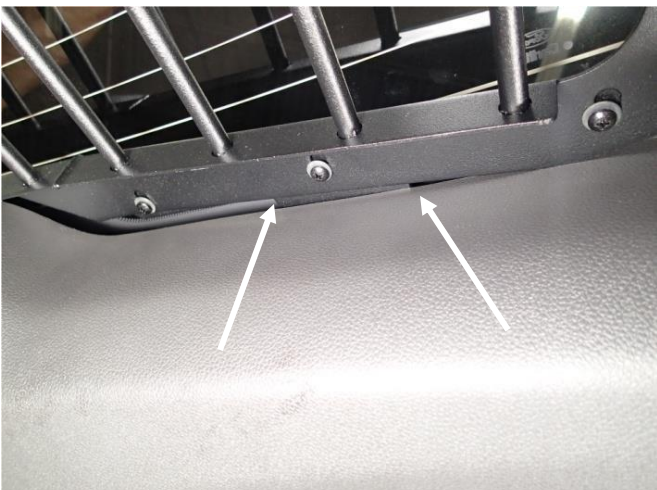
Line up to previously removed OEM fasteners. Re-install fasteners in slotted holes in bracket and tighten.



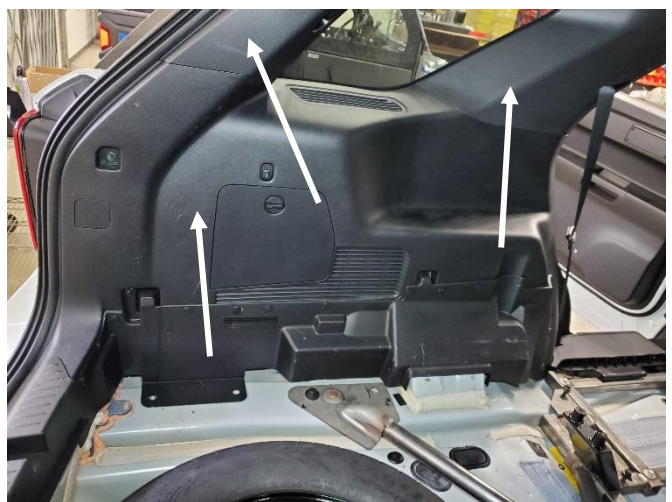
Using supplied #10 x 1/2" Tek screws, install in remaining holes in brackets.



View of driver upper bracket with screws installed.



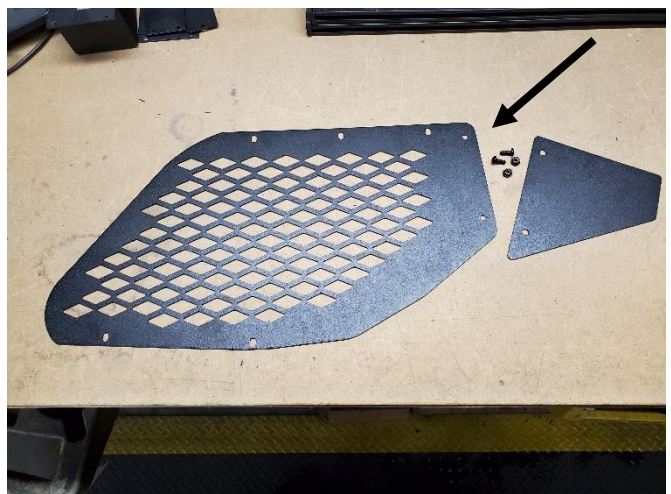
Loosely install OEM trim as tight as possible. Mark bracket locations and remove trim. Notch plastic as needed for clearance. Re-install when all trimming complete.



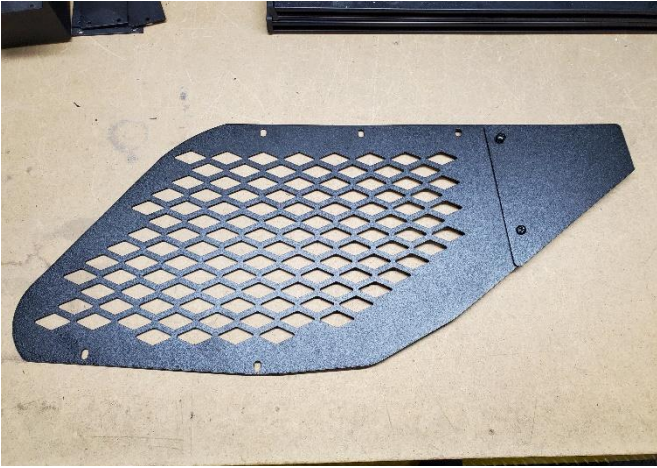
Remove all OEM trim from rear section of vehicle.



Lower headliner



On side window screens, if OEM "Ready for the road" light pods are not installed, attach filler brackets using supplied 10-32 x 1/2" bolts, washers and nylock nuts.



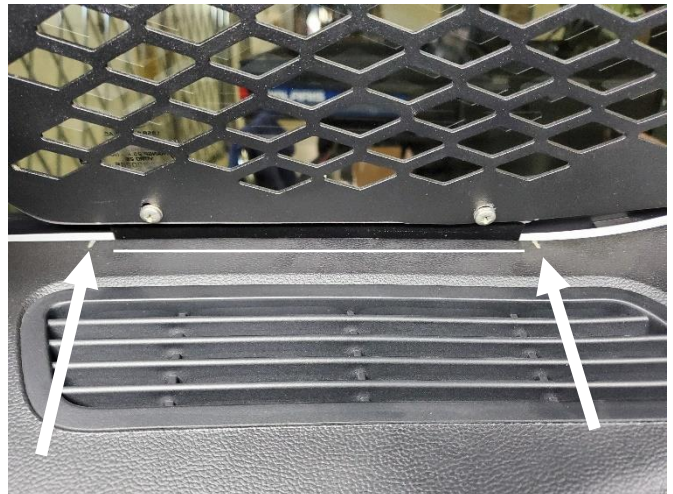
Side cargo screens shown with light pod filler attached.
Attach upper and lower brackets to guard.
Repeat process for other side.



Place window screen or bars into window opening.
Center window guard between black tint on glass.



Mount brackets steel window frame with #10 x
1/2" TEK screws.



Place lower OEM trim up to window guard and
mark section to be cut.



Notch plastic as needed and reinstall all trim.
Notching headliner not required.
Repeat for other side



Installation is now complete.