

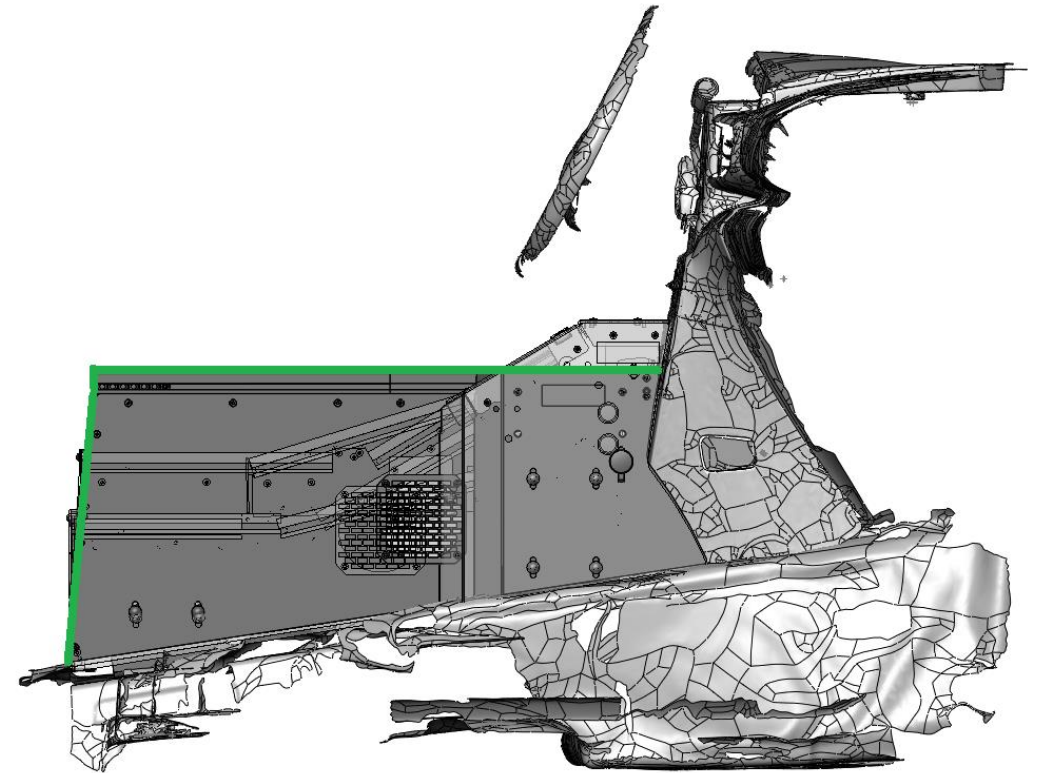


2020 Ford Interceptor Utility Consoles & Technical Tips

DRIVING
GROWTH
PEDAL DOWN.

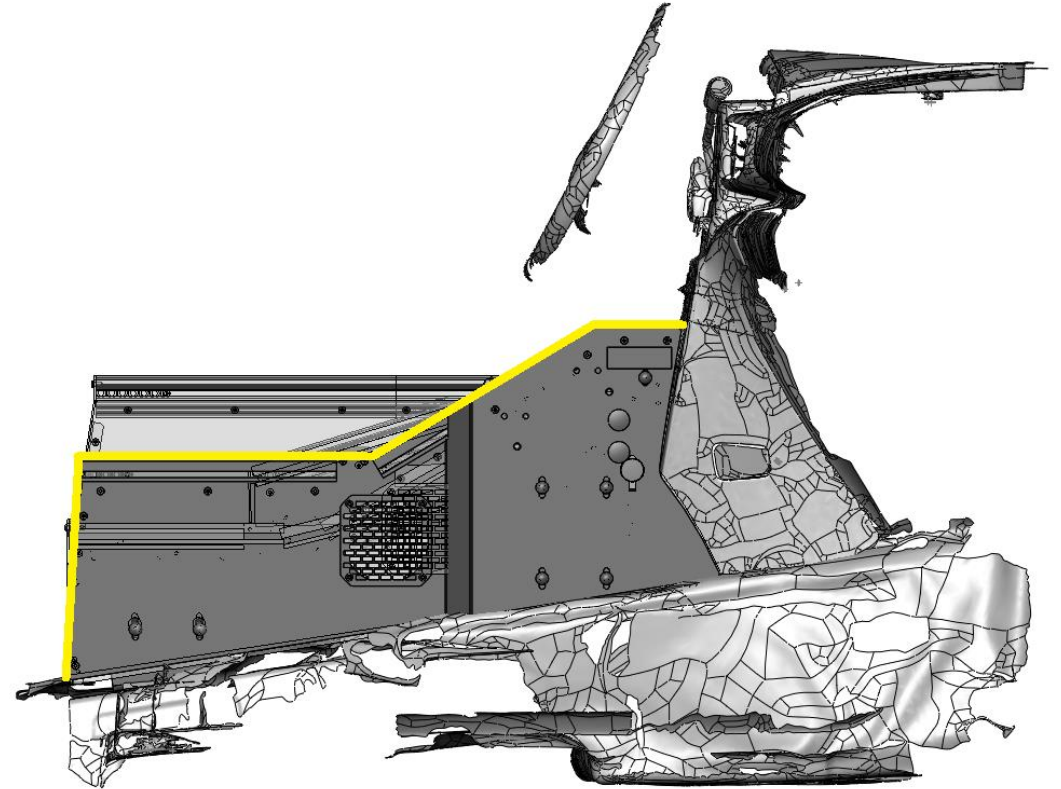
- Horizontal & Deep

- 24" total horizontal internal mounting space
- Up to 13.2" equipment mounting depth
- Flat & deep design for taller radios
- Optional Drop-In Printer Mount



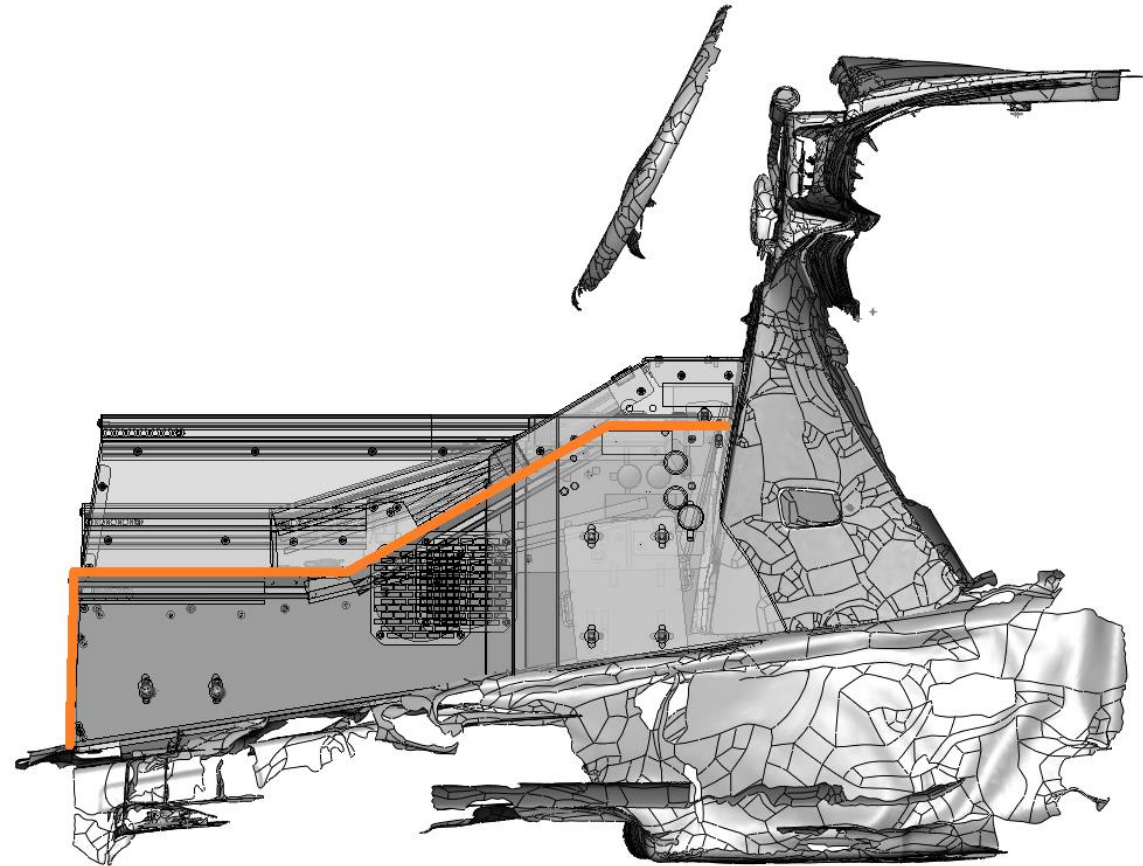
- High Angled

- 22" total mounting space: 10" front angled, 12" rear horizontal
- Up to 10" equipment mounting depth
- Rear HVAC Relocation Plate (CM009785-1) available
- Optional Drop-In Printer Mount



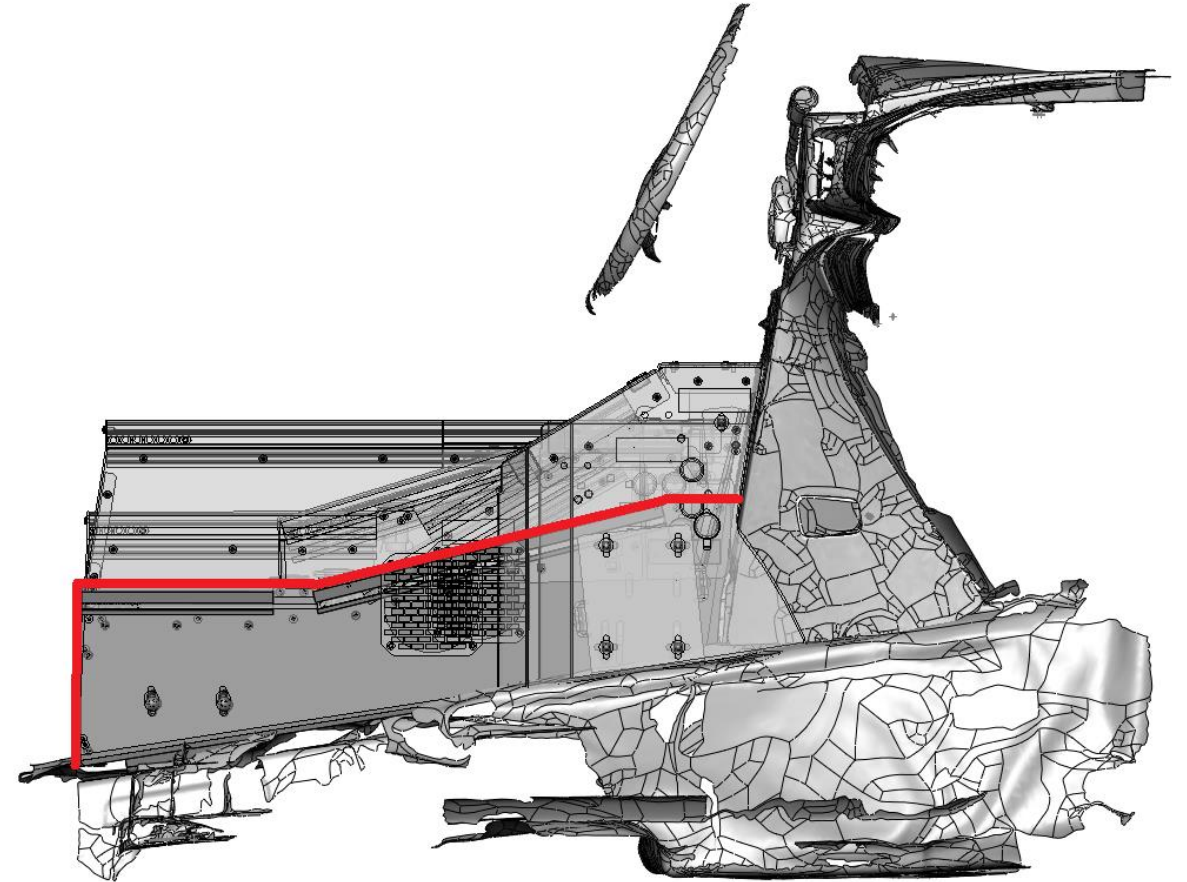
- Mid-Height Angled

- 22" total horizontal internal mounting space
- Up to 6.5" equipment mounting depth
- Lower horizontal section to improve comfort



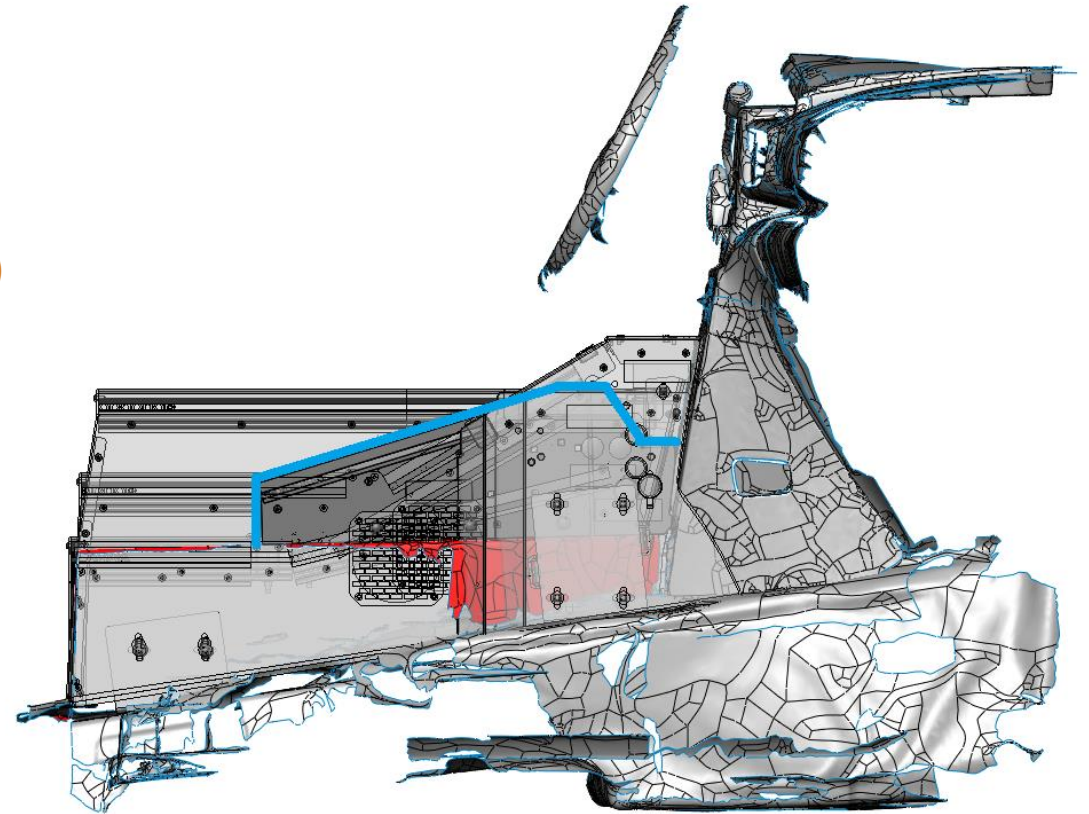
- Ultra Low-Profile Angled

- 23" total mounting space: 15" front angled, 8" rear horizontal
- Up to 4" equipment mounting depth



- Low-Profile

- 14" of angled equipment mounting space
- Up to 6.8" equipment mounting depth
- Mounts to OE Tunnel Plate
- Accepts internal 15° angled dual cup holder (C-CUP2-I-A15)
- Compatible with add-on box C-SM-800



- Drop-in Printer Mounts for Pocket Jet (C-PM-124) & Rugged Jet (C-PM-125)
 - Replaces 6" section of internal console extrusion
 - Mounts in both 0618 (flat) and 1012 (angled) consoles



SLEEK DESIGNS FOR EASE OF USE

- Tunnel Mount (C-TMW-INUT-02)
 - 8" wide by 26" long assembly
 - Runs full length of transmission tunnel
 - Attaches to OEM mounting points
 - Accepts most standard Havis console applications
 - Accepts OEM wire conduit
 - Includes side close-off panels to cover exposed wiring under tunnel mount



- Self-Adjusting Dual Cup Holder (CUP2-1001)
 - Fits cups up to 3.5" in diameter
 - Spring-loaded "bumpers" apply pressure to retain cups
 - Mounts in Havis consoles
 - Easy removal for cleaning



- Overhead Equipment Bracket (C-OHB-106)
 - New design fits 2020 Interceptor Utility!
 - No-drill installation
 - Uses visor mount locations
 - Black powder coated steel



- Flex Arm Mount (C-FAM-119)
- Flex Arm Mount Package (PKG-FAM-119)
 - Includes Mount & Flex Arm
- Heavy Duty Mount (C-HDM-1006)
- Pedestal Mount Package (PKG-PSM-1006)
 - Includes HDM base, telescoping pole, top offset place, and tilt-swivel motion device
- Premium Pedestal Mount Package (PKG-PSM-3006)
 - Includes HDM base, telescoping pole with height adjust handle, slide-out swing arm with motion adapter, and stability support arm



PKG-FAM-119



PKG-PSM-3006



Emergency Brake Relocation



If the switch is not sitting correctly in the stand offs, adding a #10 flat washer will solve the issue.



On the C-VS-1012-INUT & C-VS-0618-INUT consoles, the emergency brake switch needed to be relocated. Due to the size of the cutouts in the switch for hardware, the switch is occasionally mounted crooked. This can prevent the switch from moving freely. Before installing the console, make sure the switch is installed correctly and moves freely in the console.



Emergency Brake C-VS-1210-INUT

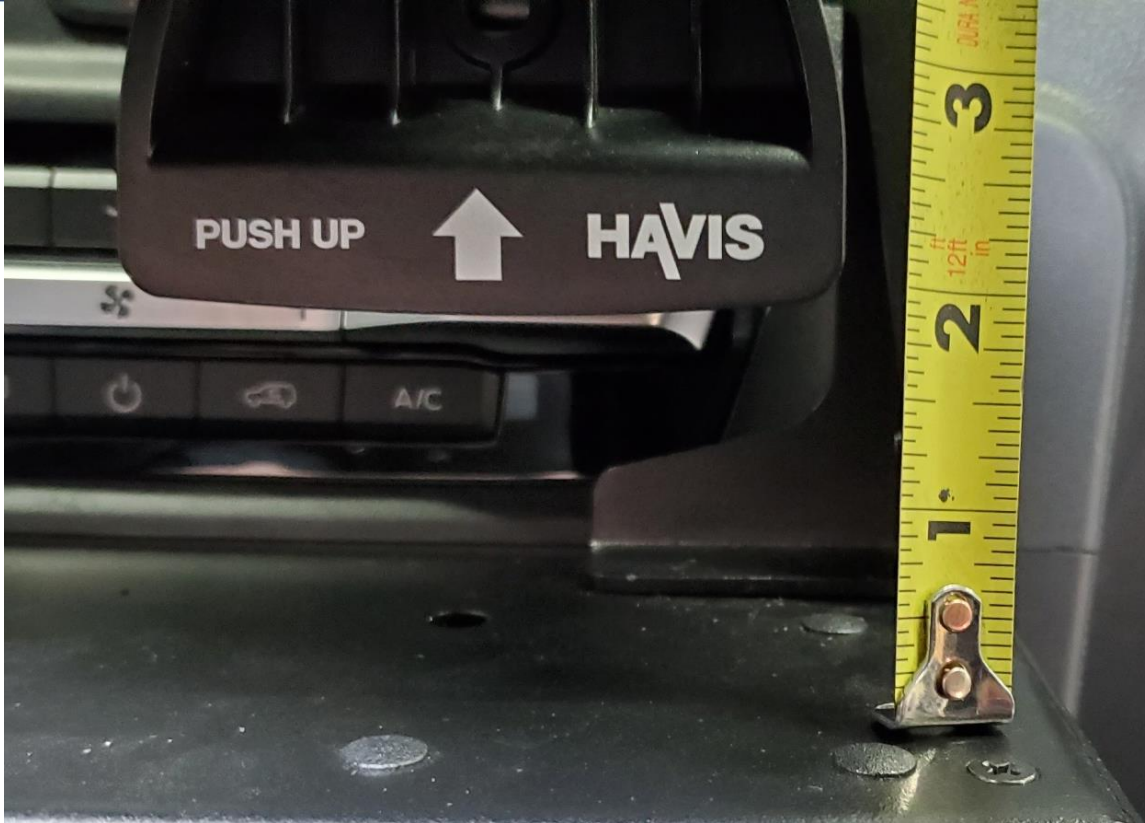
On the C-VS-1210-INUT console, it is essential to note the orientation of the relocation mount's emergency brake switch. The flanges for the switch need to sit under the metal mounting tabs in the bracket.



The switch can be mounted on top of the tabs. However, it will not fit appropriately through the console's cutout, which will cause binding and failures. Shown above is the proper way to mount the switch in the bracket. Always test the adequate functionality of the switch before installing the console.



Handle on DMM-3015/VS-1012 combo



On the C-VS-1012-INUT and C-DMM-3015 combo, the mounting space on top of the console is minimal. It is not recommended to mount a motion device on the top of the console in conjunction with the C-DMM-3015.



As shown above, the handle for the C-DMM-3015 will come into contact with the C-MD-100 series and the C-HDM-300 series mounts. When the C-VS-1012-INUT console is used with the C-DMM-3015, a side mount keyboard setup must be implemented.



Keyboard Options CM006331



One option is the CM006331, (2) sets of holes are predrilled in the console for this application. Simply mount the hardware through the holes, and you're all set. This will allow a broad range of motion with a minimal footprint.



Another option would be the C-HDM-204; this is a side mount option that also lines up to pre-drilled holes in the console's side. This allows for the mounting of the C-MD-100 series mounts as well as the C-HDM-300 series.

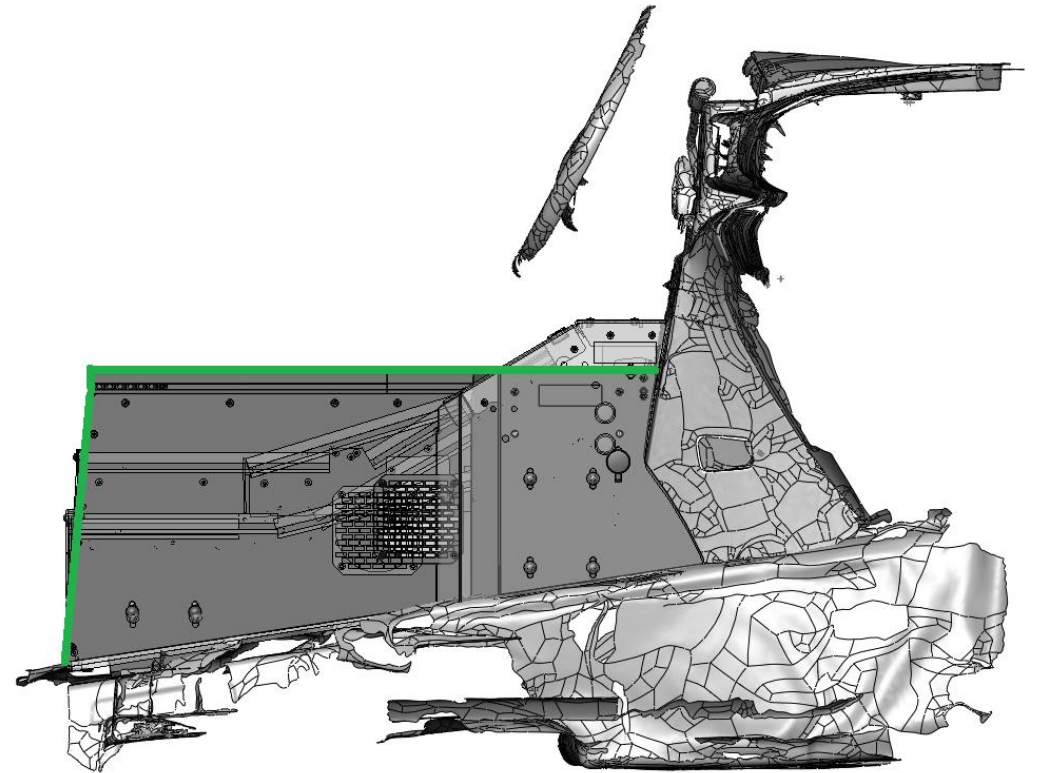


Rear HVAC Relocation CM009785-1



An important thing to note on the C-VS-1012-INUT console is the optional rear HVAC relocation bracket. The CM009785-1 bracket can be added at any time. So if the console is ordered without this option and it is determined to be needed. The console is still able to be installed and wired with this bracket able to be added later with the removal of a few screws.

- 5 Available Consoles
 - Horizontal & Deep C-VS-0618-INUT
 - High Angled C-VS-1012-INUT
 - Mid-Height Angled C-VS-1212-INUT
 - Ultra Low-Profile Angled C-VS-1508-INUT
 - Low-Profile Angled (Uses OEM Tunnel Plate) C-VS-1400-INUT-1
- 2 Available Dash Mounts
 - Light-Duty (Up to 4 lbs.) C-DMM-2018
 - Heavy-Duty (UP to 12 lbs.) C-DMM-3015
- Full Suite of Mounting Available
 - Heavy-duty pedestal mounts, Flex arm mount, Overhead mount
- Keep your eyes peeled for more information coming soon on Next-Generation Console and Overhead Console
 - Next Gen Front Tray C-VS-1800-INUT
 - Next Gen Printer Mount C-VS-1800-INUT-PM
 - Overhead Console C-OHC-INUT-1



1

Havis Website

Visit to find everything Havis.
<https://customers.havis.com/>

2

Havis Newsletters

Havis publishes the Product Weekly each week which provides important product information like new, coming soon and discontinued products. Contact your RSM to be added to our distribution list.

3

Social Media

Follow us:

LinkedIn - @Havis,Inc

Facebook - @havisinc

Instagram - @Havis_inc, @HavisK9

Twitter - @havisinc

Hashtags:

#HavisEquipped

#HavisConnected

#HavisMustHaves

#HavisK9

4

Contact Information

Jeff Tripp, Fleet Product Manager
(E): jtripp@havis.com

Dave Phillion, Technical Specialist
(E): dphillion@havis.com



Thank You!

DRIVING
GROWTH
PEDAL DOWN.