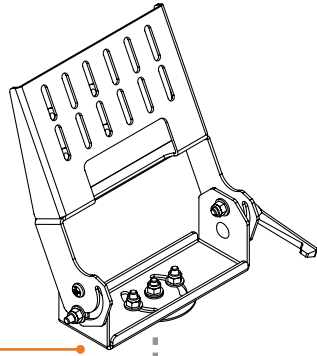


Havis® Heavy Duty Horizontal Console 2-Piece Computer Mount

This is a sample configuration.
These parts can be substituted depending on vehicle or application.

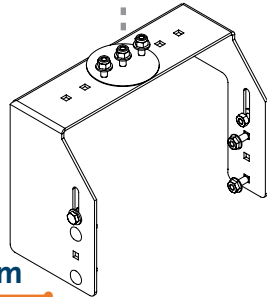
Monitor Mount

C-UMM-101 shown
(Requires monitor adapter brackets dependent on computer manufacturer)



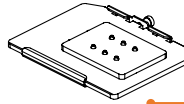
Monitor Mounting Platform

C-SM-MMP shown



Quick-Release Keyboard Mount

C-KBM-102 shown



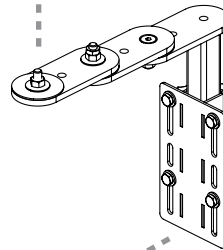
Tilt/Swivel Motion Device

C-MD-202 shown



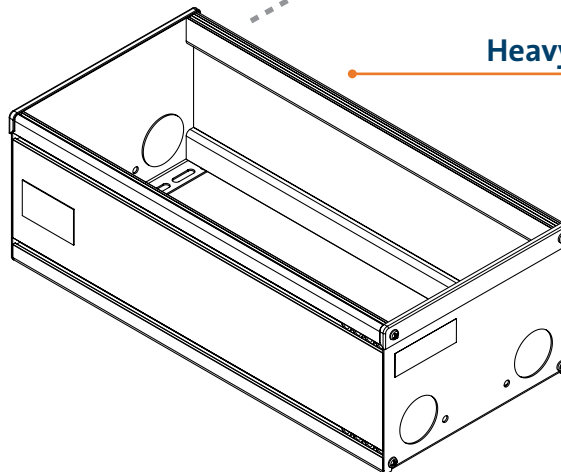
Swing Arm Bracket

C-TCB-7 shown

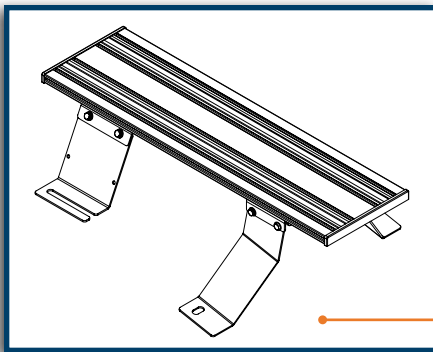


Heavy-Duty Console

C-1800 shown



For Use With:



Tunnel Mount Kit with Vehicle Specific Floor Mounts

C-TMW-CV-01 shown