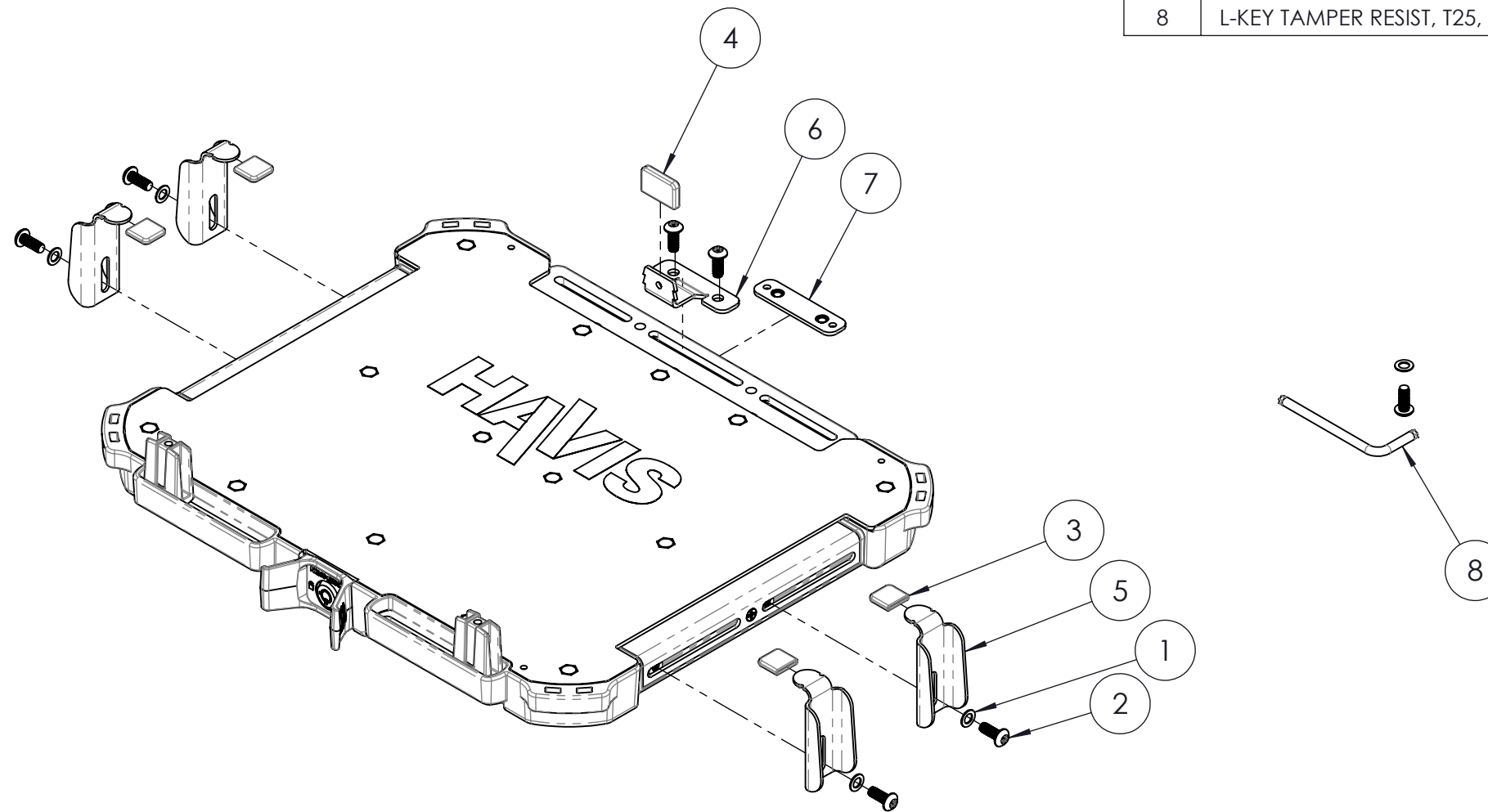


INSTALLATION INSTRUCTIONS:

1. Review hardware contents and ensure all items are available for assembly.
2. Remove existing side lugs and rear fences (if any).
3. Loosely assemble the new kit to the base tray as shown in exploded view.
4. Adjust tray according to the configuration instructions in the UT-1000/2000 Series Owner's Manual (accessible at www.havis.com within the **UT-1002** product page).

NOTE: Retain all unused hardware for possible future re-use.



UT-1007-KIT HARDWARE CONTENTS

REPLACEMENT PARTS

ITEM NO.	DESCRIPTION	HAVIS PART NO.	QTY.
1	WASHER, BELLEVILLE, SERRATED, #10	GSM31089	5
2	SCREW, BUTTON HEAD, PIN-IN-TORX, #10-32x0.5, CLEAR ZINC W/ PATCH	GSM33327	7
3	CAP - 0.45" X 0.5", 0.04" THK	GSM41120	4
4	CAP - 0.75" X 0.5", 0.04" THK.	GSM41123	1
5	BRACKET, HOLD DOWN LUG, SHORT, UT-1000 SERIES	UT-0112-SM	4
6	BRACKET, REAR FENCE	UT-0197-SM	1
7	PLATE, RETAINER, REAR FENCE	UT-0198-SM	1

TOOLS

8	L-KEY TAMPER RESIST, T25, 2-13/32" L	GSM50261	1
---	--------------------------------------	----------	---

WARNING: ALL HAVIS INC. PRODUCTS ARE DESIGNED WITH SAFETY OF USE AND INSTALLATION IN MIND. HOWEVER, IT IS THE SOLE RESPONSIBILITY OF THE OWNER/OPERATOR OF A VEHICLE USING HAVIS INC. MOUNTING AND DOCKING EQUIPMENT, TO INSURE THAT THE EQUIPMENT IS INSTALLED SO THAT IT WILL NOT INTERFERE WITH VEHICLE OPERATION, INTERFERE WITH SAFETY DEVICES, OBSTRUCT VIEW OF DRIVING CONDITIONS, OR IN ANY WAY DEGRADE OCCUPANT SAFETY. IMPROPER INSTALLATION CAN CAUSE SERIOUS INJURY IN THE EVENT OF AN ACCIDENT. INSTALLATION SHOULD ONLY BE PERFORMED BY QUALIFIED PROFESSIONALS. COMPUTERS AND MOTION DEVICES MUST BE MOVED TO AND STOWED/SECURED IN THEIR SAFE DRIVING POSITIONS BEFORE OPERATING VEHICLE.

DRAWING NO.

UT-1007-KIT_INST_2-22

PRODUCT DESCRIPTION

**INSTALLATION INSTRUCTIONS
FOR UT-1007-KIT**

HAVIS

1-800-524-9900
WWW.HAVIS.COM

WEIGHT: (LBS)

3.71

REV. DATE

02-18-22