

# INSTALLATION INSTRUCTIONS

## C-VS-1900-DUR-PM and C-VS-1900-DUR-PM-2

### 19" Vehicle specific printer mount console for

### 2021-2023 Durango Pursuit (without center console)

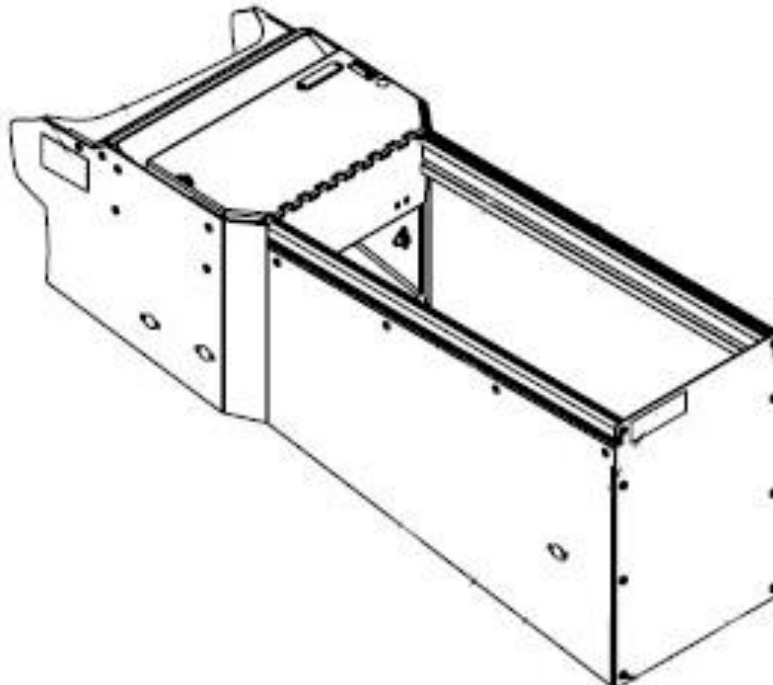
**Notes: Does not fit Pursuit vehicle with interior upgrade console or Retail and SSV Durango with console "T" shifter.  
For Brother Pocket Jet Printer (not included)**

**TOOLS REQUIRED:**

Metric Socket set	T20 Torx driver	Trim panel removal tool
Standard Socket set		

**PARTS and MOUNTING HARDWARE:**

<u>QTY</u>	<u>DESCRIPTION</u>	<u>PART#</u>
1	Front mounting bracket	25149
1	Rear mounting bracket	23700
8	1/4" x 3/4" Carriage bolt	16223
8	1/4" Serrated nut	16013
1	USB-A to 90° USB Mini-B extension cable	16934 for PocketJet 6 and 7 (C-VS-1900-DUR-PM)
<b>OR</b>		
1	USB-A to 90° USB-C extension cable (DS-DA-340)	37554 for PocketJet 8 (C-VS-1900-DUR-PM-2)



**Always!**

- Read all instructions before installing any Havis, Inc. products.
- Use hardware provided with install kit



Remove the OEM tunnel plate from the center.  
Retain the (4) 10mm head bolts for later use.



Remove the nut for the factory ground wire and  
unclip harness.



Slide forward mounting bracket under OEM  
harness and ground stud.



Once the bracket has been slid under the harness,  
reinstall ground wire back onto stud using previously  
removed nut.



Line front of bracket up to center dash. Attach  
using previously removed 10mm head fasteners.



Place rear mounting bracket over rear  
mounting tabs.



Attach rear mounting bracket using previously removed 10mm head fasteners.



Place console housing over front and rear mounting brackets and slide towards dash.



Attach rear of console to rear mounting bracket with 1/4" x 3/4" carriage bolts and serrated nuts.



Attach passenger side of console to front mounting bracket with 1/4" x 3/4" carriage bolts and nuts.



Attach driver side of console to front mounting bracket with 1/4" x 3/4" carriage bolts and nuts.



Run wiring for printer through left side of printer bracket opening.



Install Brother PocketJet printer and paper roll into printer holder.



Wire and install all equipment.



C-VS-1900-DUR-PM console shown with C-DMM-3024, TSD-201 and PKG-KB-208.



C-VS-1900-DUR-PM console shown with PKG-MD-ARM-0603 and PKG-KB-208.



C-VS-1900-DUR-PM console shown with C-MD-119 and C-HDM-204.



C-VS-1900-DUR-PM console shown with C-DMM-3024, PKG-MD-ARM-0603 and PKG-KB-208.