

INSTALLATION INSTRUCTIONS C-VSW-3000-F150-1

2015-2020 Ford F-150 XL and XLT Pickup

2017-2022 Ford F-250, 350, 450 XL & XLT Pickup, F-450 & F-550 Cab Chassis

2018-2021 Ford Expedition

Vehicle Specific Console with 30" inches of Equipment mounting space

IMPORTANT NOTES

- Only works in Super Duty XL and XLT with Standard AM/FM Stereo.
- Not compatible with 4 X 4 floor shifter or higher trim level trucks with full length center console.
- Not compatible with higher trim levels with 12" screen for Sync 3 with Voice-Activated Navigation or Sync 4 with Enhanced Voice Recognition
- Not compatible with OEM optional Ultimate Trailer Tow Camera System with Pro Trailer Backup Assist. (Console hits round Trailer brake dash knob)

TOOLS REQUIRED:

Phillips Screw Driver
 Metric Socket set

Standard Socket set
 7/16" Wrench

T-20 Torx Bit
 Panel removal tool

INSTALLATION PARTS AND MOUNTING HARDWARE:

<u>QTY</u>	<u>DESCRIPTION</u>	<u>PART#</u>
1	Front filler plate for non CD player models	CM008674
2	Front mounting tabs	CM008699
1	Ford small Aux panel adaptor	CM009604
1	Small Aux blank panel	CM009605
2	1/4" Serrated nut	GSM30023
1	O ring (used as spacer for older style Ford AUX panel)	GSM31335 (not used for newer Aux panel)
2	1/4" x 3/4" Carriage bolt	GSM32000
4	#8-18 Flat head screw for filler & adaptor plates	GSM33178
2	Speaker grill plate	23047

Parts already attached to console housing

1	Rear floor mounting bracket	CM009178
1	Ford AUX panel filler plate	CM009184
1	Rear corner square filler panel	CM009185
1	Front floor mounting bracket	CM009205

Always!

- Read all instructions before installing any Havis, Inc. products.
 - Use hardware provided with install kit

C-VSW-3000-F150-1
&
C-VSW-3000-EXPD-1

Front mounting tabs

CM008699
(Not shown)

Front filler panel

CM008674
(Not shown)

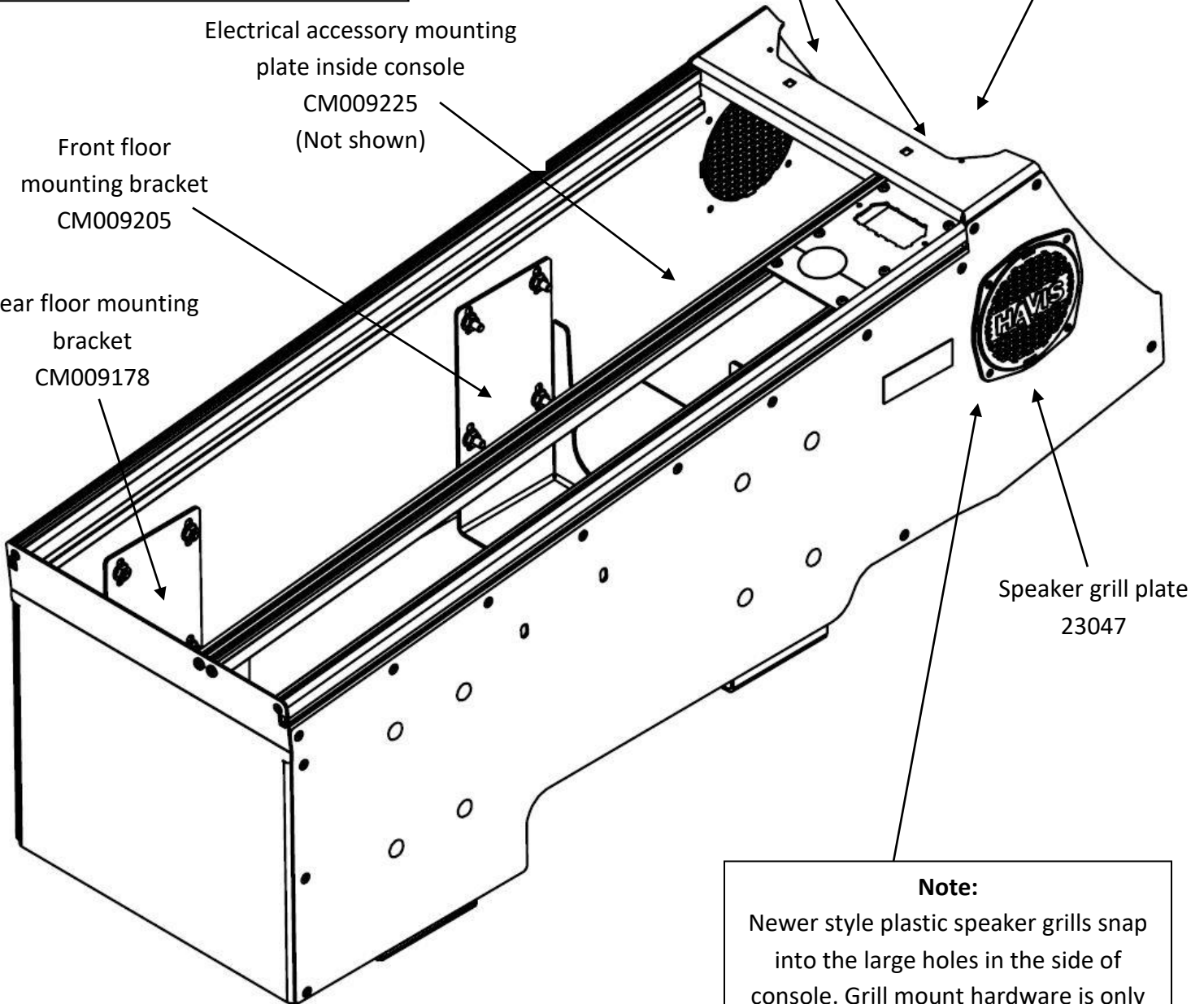
Electrical accessory mounting
plate inside console

CM009225
(Not shown)

Front floor
mounting bracket
CM009205

Rear floor mounting
bracket
CM009178

Speaker grill plate
23047



Note:

Newer style plastic speaker grills snap into the large holes in the side of console. Grill mount hardware is only required if attaching speaker on the inside of grill. Hardware not provided.

Recommended Hardware: (4x) #8 Keps nuts, (4x) 8-32 x 3/4" screws



Remove factory center seat or mini console



Unbolt factory bolts and save for later.
18mm socket

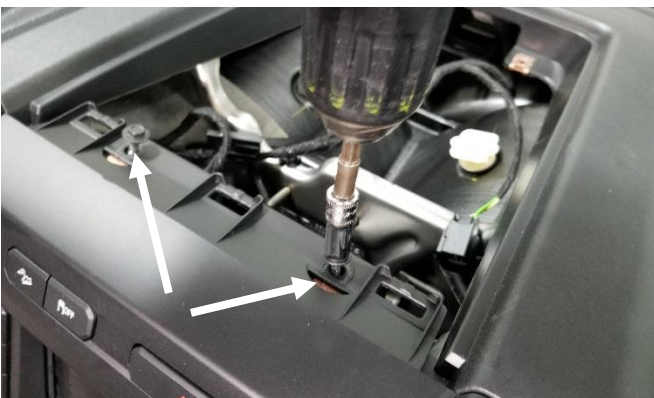


NOTE: Some vehicles include an OEM SmartLink / Telematics module mounted to transmission hump using the same bolts needed for the rear console bracket.

The OEM module must be unbolted and simply relocated under console by installer as desired. Relocating OEM module will not affect OEM system.



Unbolt upper storage tray from dash by removing
(2) 7mm head fasteners



Remove (2) 7mm head fasteners from top center
of radio and HVAC controls



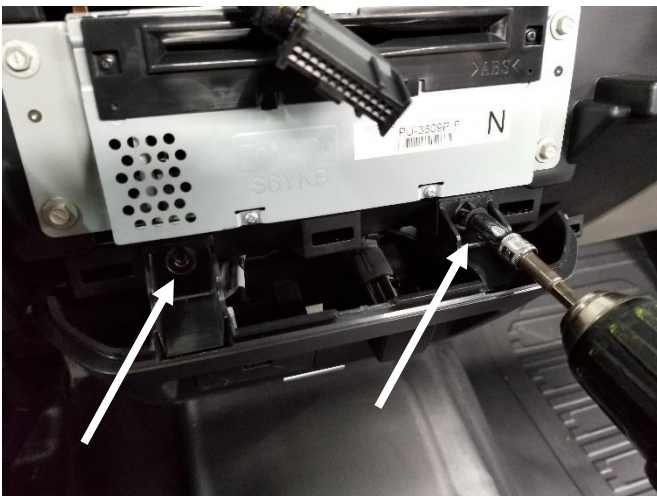
Gently remove the center instrument panel (IP).
Unplug everything and set aside.



Starting on the passenger side, unclip and pull the lower dash cover trim off.



Remove the side vent trim on both sides of the radio.



Remove (2) 7mm head fasteners from lower storage pocket.



Remove (2) 10mm head fasteners from either side of storage pocket.



Remove storage pocket from vehicle.
Remove OEM AUX module to be reused.

Storage pocket will not be reused



Reinstall side vent trim.



Install front mounting tabs using OEM hardware



Reinstall previously removed center IP and upper storage tray.



Place console in the vehicle



Slide forward until the mounting brackets line up with the OEM mounting points.



Loosely reinstall factory bolts



Attach front top console to mounting tabs with 1/4" x 3/4" carriage bolts and 1/4" serrated nuts.



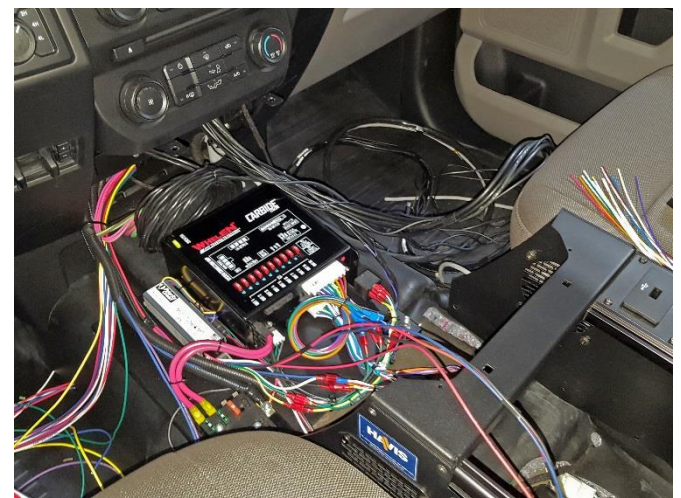
Tighten all hardware.



Install OEM AUX module into the console. Adaptor plate with #8 flat head screws provided for smaller Aux module. Blank plate provided if vehicle has no module.



Main Housing installation is now complete. Install and wire equipment as desired.



Electrical accessory mounting plate shown. Unbolting and sliding console back for component installation is recommended.



Console installation complete



Console with computer installation complete