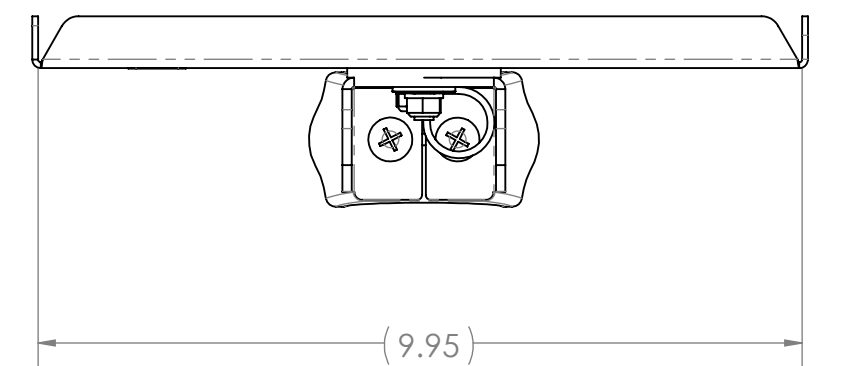
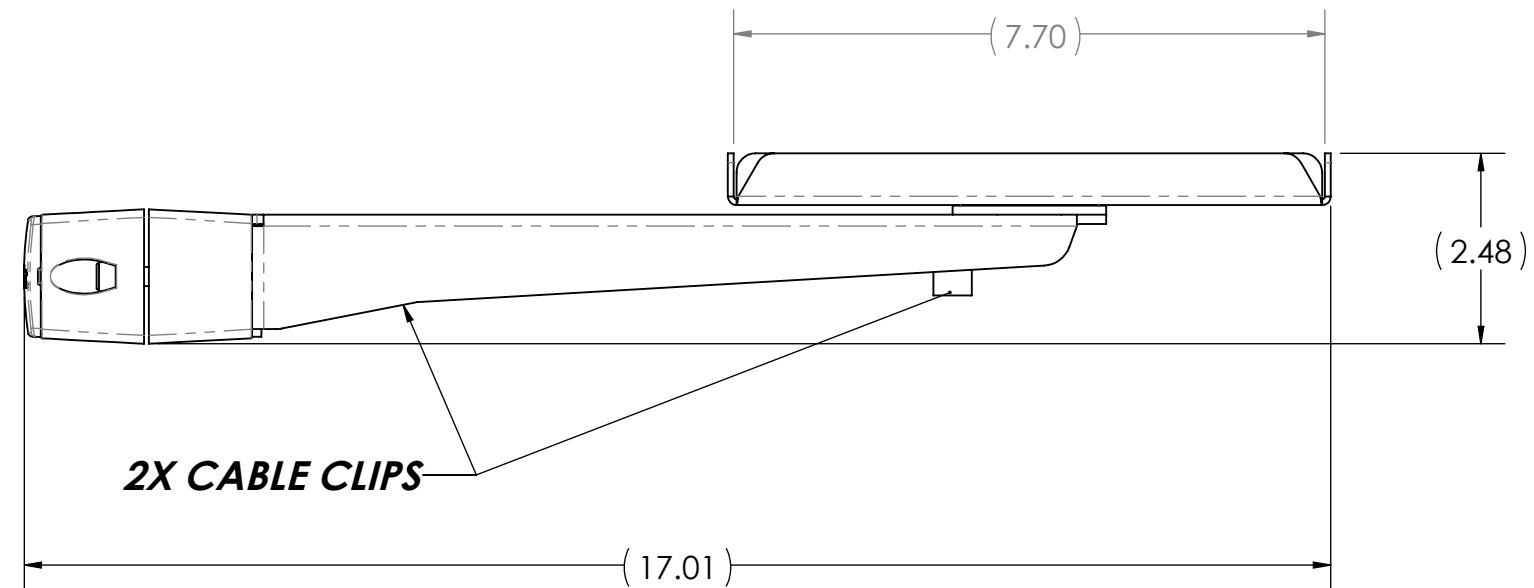
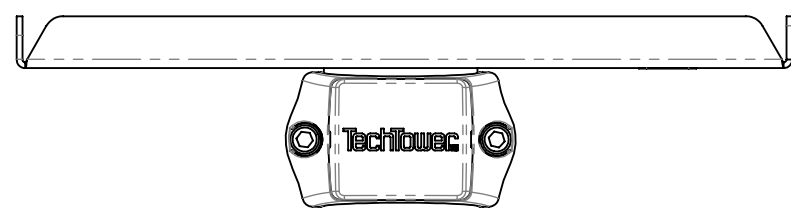


**PRINTER TRAY
ROTATES ON ARM**



THE INFORMATION CONTAINED IN THIS DRAWING IS THE SOLE PROPERTY OF HAVIS AND REPRODUCTION IN PART OR IN WHOLE WITHOUT THE WRITTEN PERMISSION OF HAVIS IS PROHIBITED.



REV. A	RELEASE FOR PROTOTYPE	09/24/14	JVT	CDB
REV.	DESCRIPTION	DATE	BY	CHK'D
DRAWN J. TERVEER				
DATE 09/24/2014				
CUSTOMER APPROVAL (SIGNATURE REQUIRED):		TITLE PRINTER TRAY WITH ARM, FIXED CLAMP, FOR Ø2.00 POLE		
DATE	SIZE C	DWG. NO. 367-3161	REV. A SHEET 1 OF 1	