

Universal Payment Mount (UPM) for Ingenico Lane 3000, 5000 v.2, 7000, 8000 Payment Terminals

Screw to secure device

Cable Routing

Cable Routing

DRILL TEMPLATE

CABLES

7mm

75mm

CUSTOMER

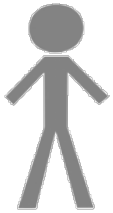
UPM Release Tab

TOOLS

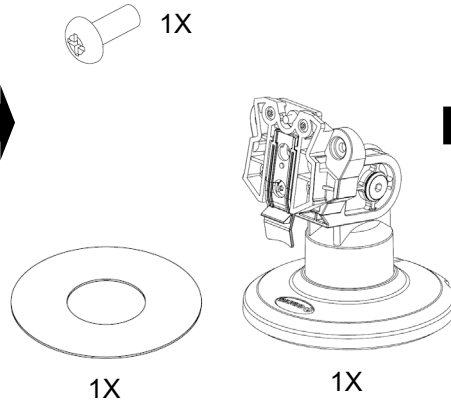
- 1) Phillips screwdriver
- 2) Drill if mounting to surface with screws

Note

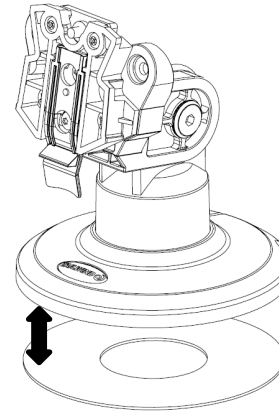
No drill required if using adhesive pad provided.



PARTS

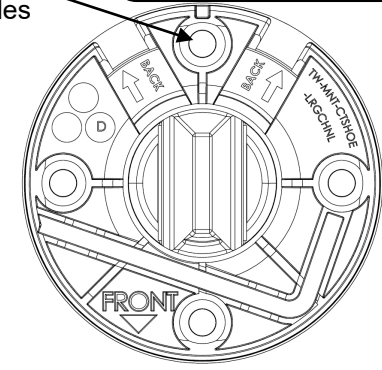


OPTION A – Countertop Mount



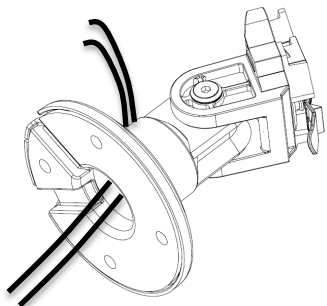
4 x 7mm
Mounting Holes

Note
For screw or wall mount – use drill template supplied. Drill/screwdriver will be required. Use qualified personnel.



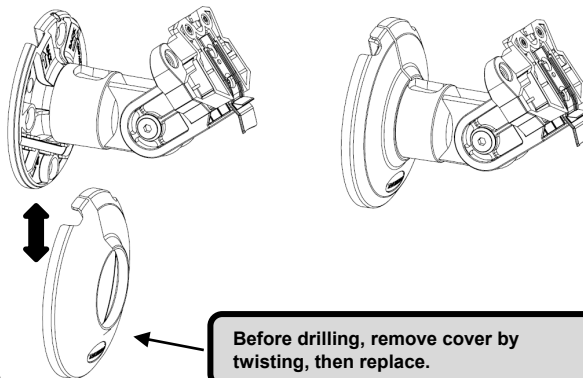
Top View

Route Cable

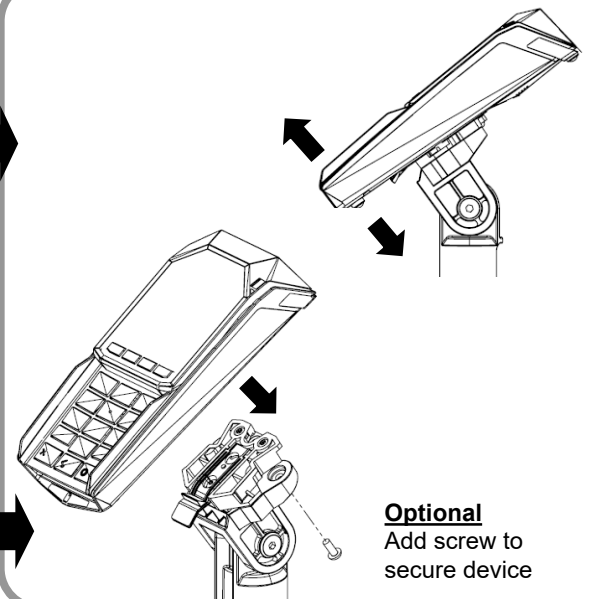
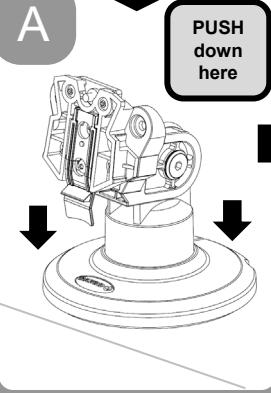


If routing cables through pole

OPTION B - Wall Mount



Before drilling, remove cover by twisting, then replace.



Optional
Add screw to secure device