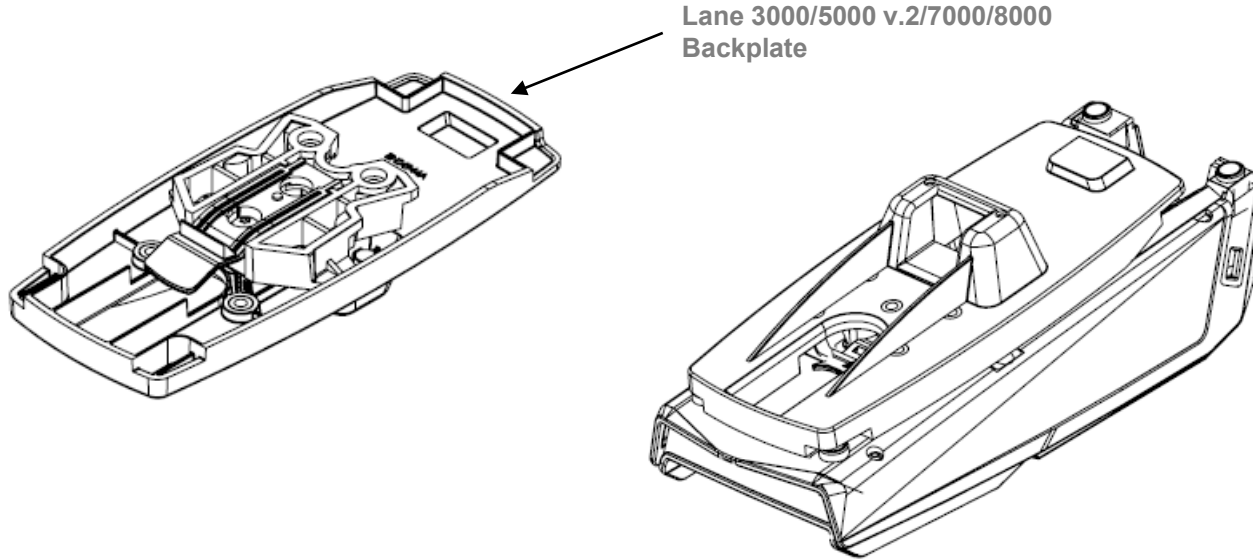


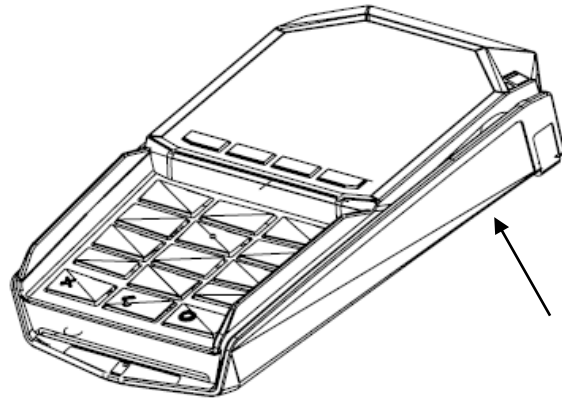
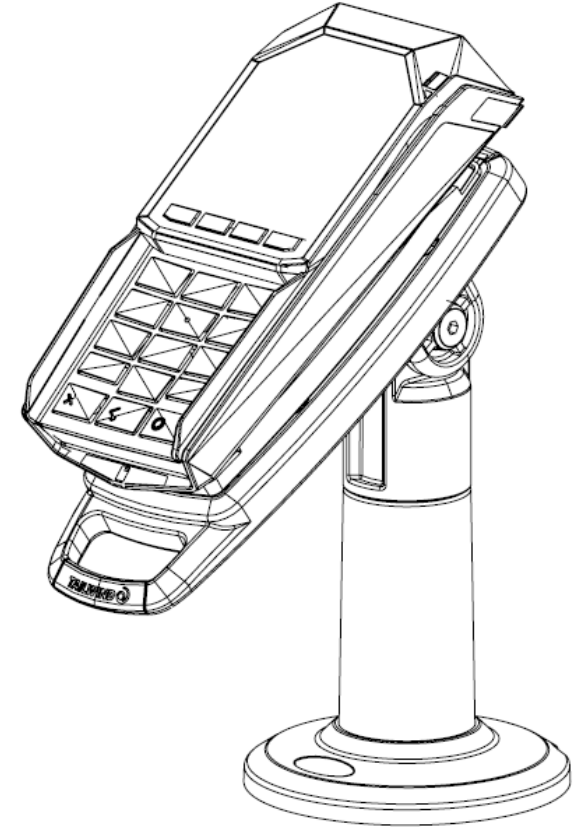


# Lane 3000/5000 v.2/7000/8000 & Desk 1500 Backplate

## Quick Installation Guide

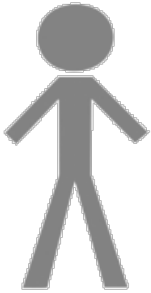


Lane 3000/5000 v.2/7000/8000  
Backplate

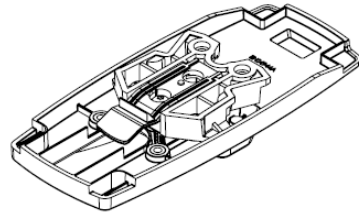


Lane 3000/5000 v.2/7000/8000  
Payment Terminal

### TOOLS



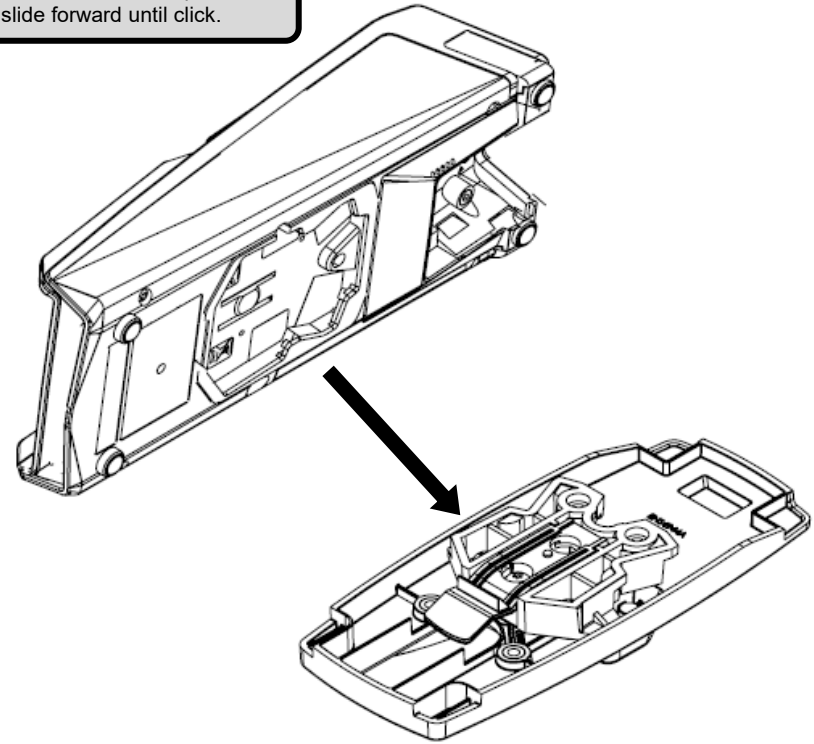
### PARTS



1X Lane 3000/5000 v.2/7000/8000 Backplate

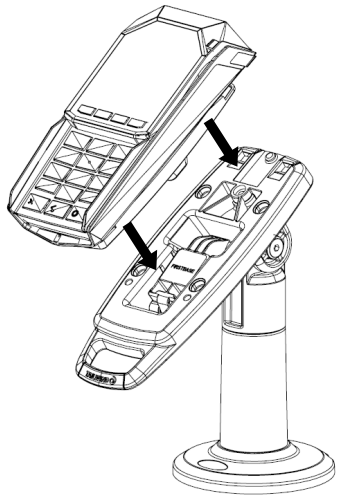
1

Place terminal onto backplate and slide forward until click.

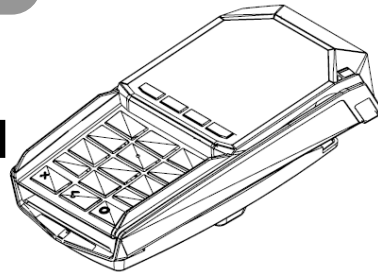


3

Fit terminal onto stand.  
Press firmly until click.



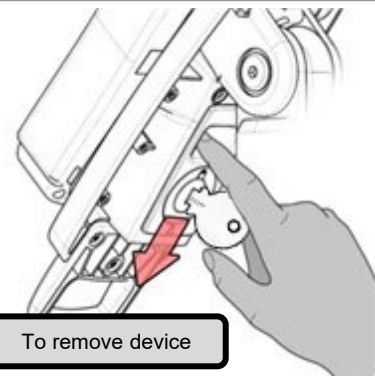
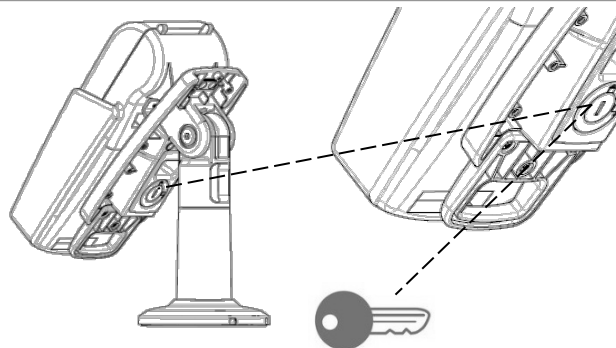
2



### OPTIONAL

#### **SAFEBASE OPTION**

To lock device, turn key clockwise then remove key.  
To unlock, turn counter-clockwise.



To remove device