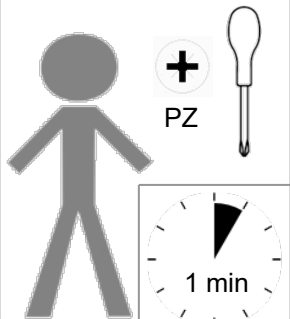
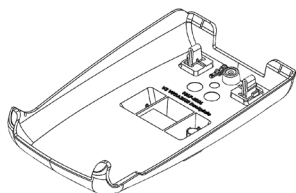


#### TOOLS



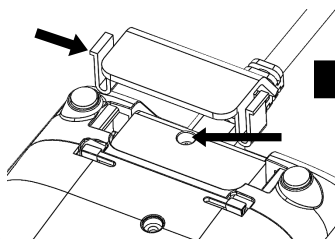
#### PARTS



1x VEGA3000 Backplate  
1x M2x10mm Screw

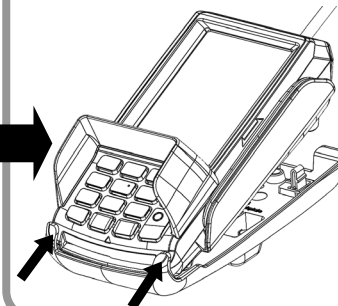
1

Remove cable cover and screw then store safely



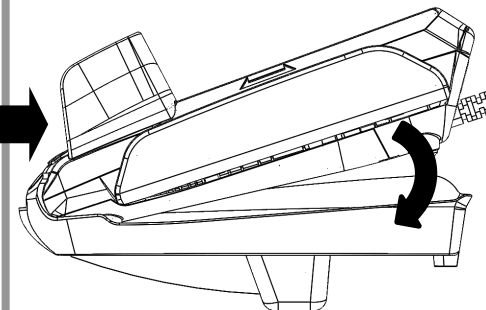
2

Hook front of PED into the backplate as shown below



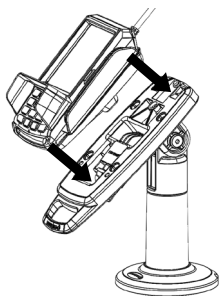
3

Rotate PED into backplate



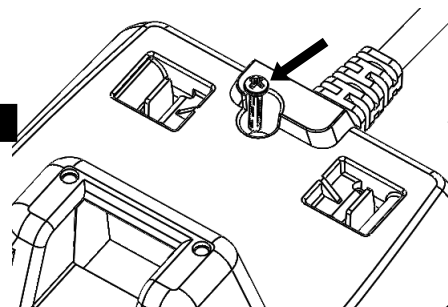
6

Fit terminal onto stand. Press firmly until click.



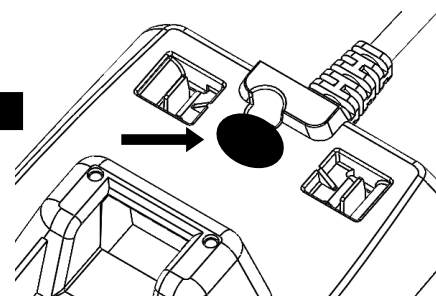
5

Fit screw provided

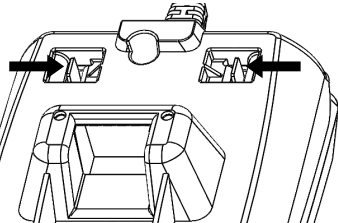


4

Press firmly until 2 clicks are heard



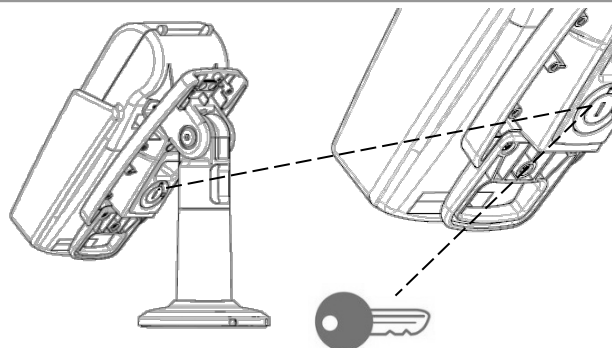
To take backplate off remove screw then squeeze clips together and pull backplate



#### OPTIONAL

##### SAFEBASE OPTION

To lock device, turn key clockwise then remove key.  
To unlock, turn counter-clockwise.



To remove device

