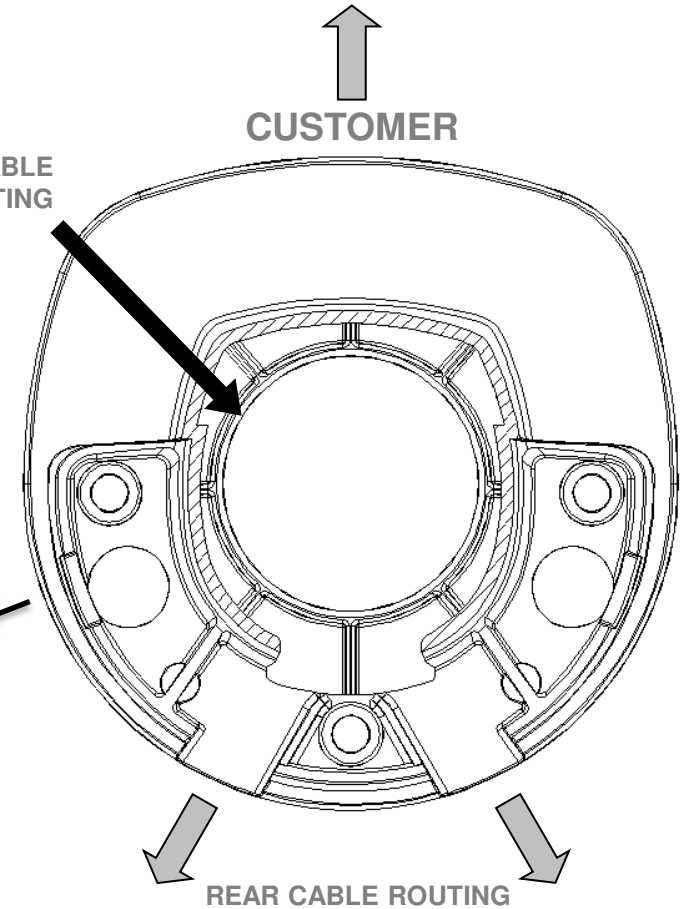


SHOWN WITHOUT  
ACCESS COVER

CENTER CABLE  
ROUTING



REAR CABLE ROUTING

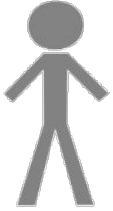
CUSTOMER

#### TOOLS

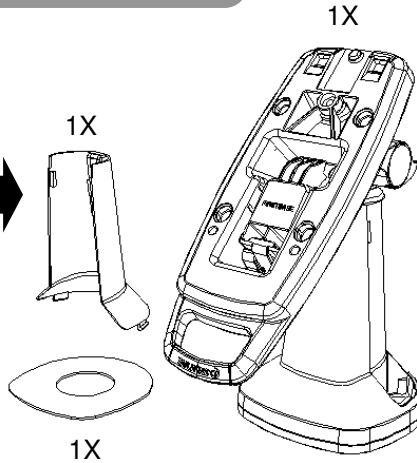
- 1) Phillips screwdriver
- 2) Drill if mounting to surface with screw. Use qualified personnel

#### Note

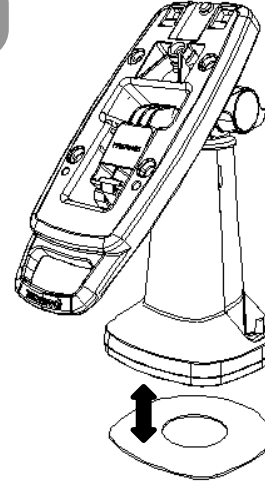
No drill required if using adhesive pad provided.



#### PARTS



1

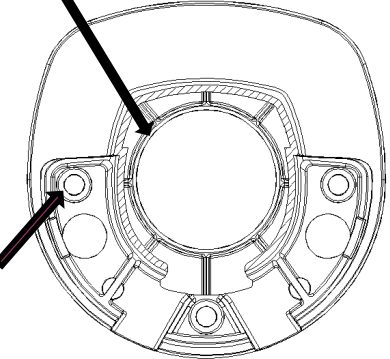


Drill hole to route Cable thru counter 40mm diameter max

#### Note

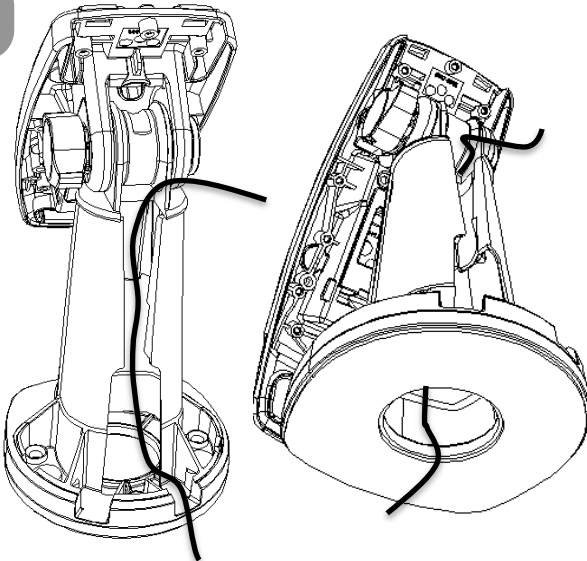
For screw mount – use stand as a template. Drill/screwdriver will be required. Use qualified personnel.

3X Mounting holes Use appropriate #8 flat head screws for the surface being mounted to



Top View

2



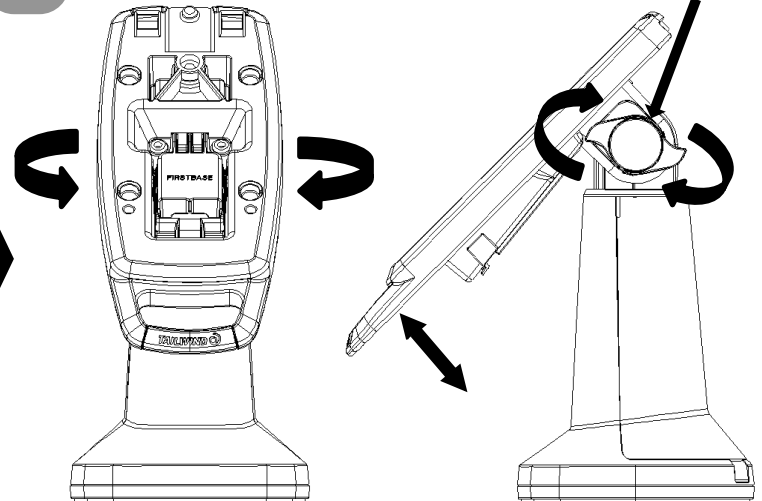
Cable routing option 1

Cable routing option 2

#### Important Note

To fit back cover first engage lower clips, second engage top clips.

3

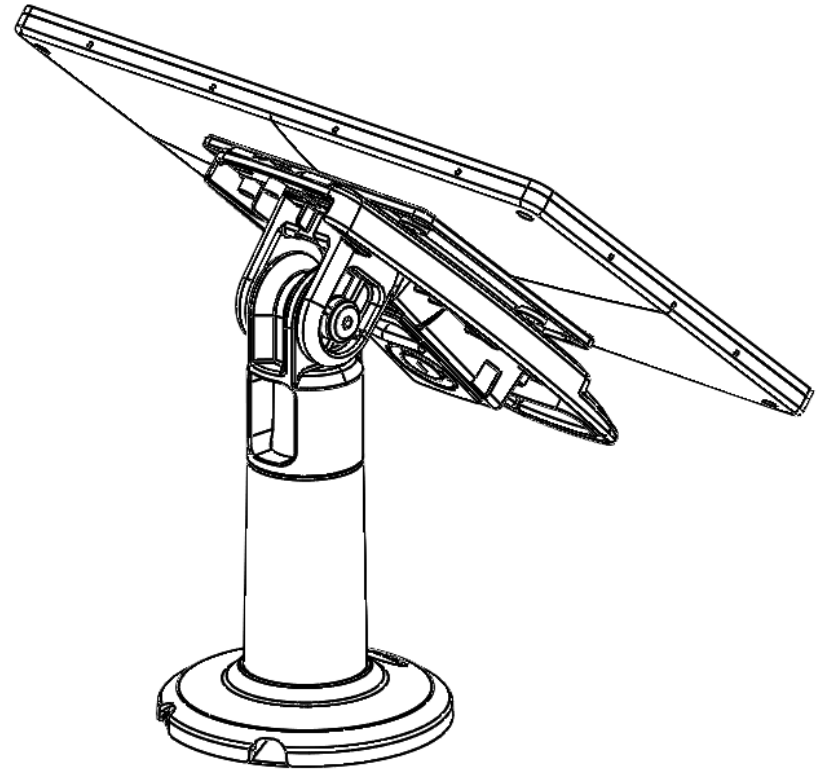
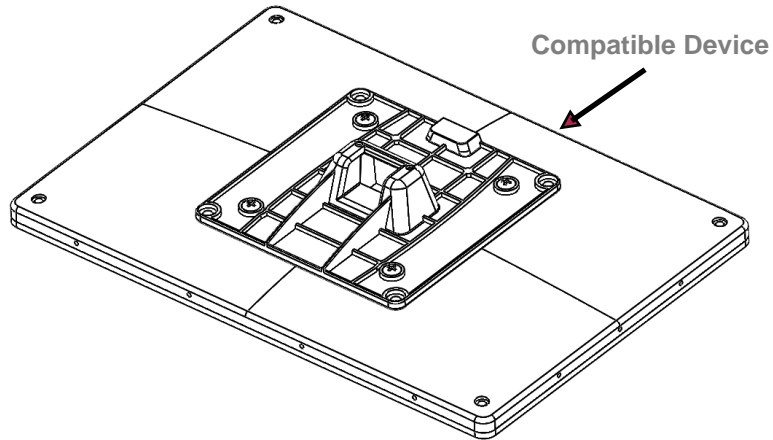
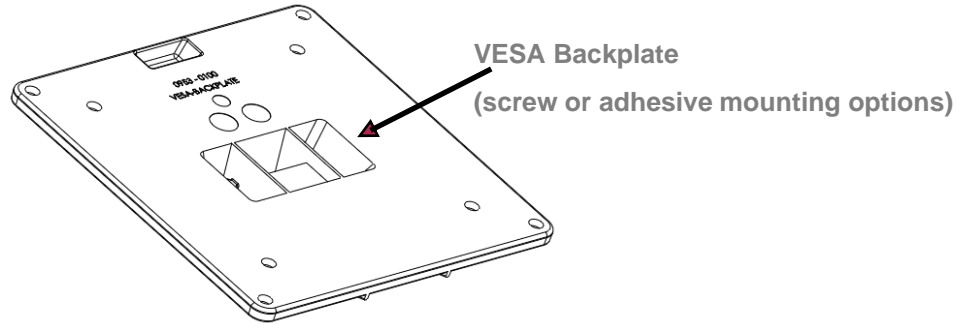


Pivot Tension Adjustment Dial



# FlexiPole Plus (Quick Release) Tablet Mount

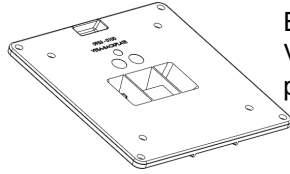
Quick Installation Guide - TAB20121 + TAB40121



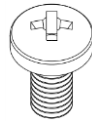
### TOOLS



### PARTS

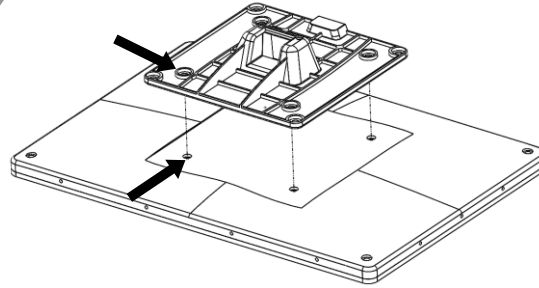


1 x VESA Backplate (with VHB adhesive pad)



4 x M4x8mm screws

1



Step 1

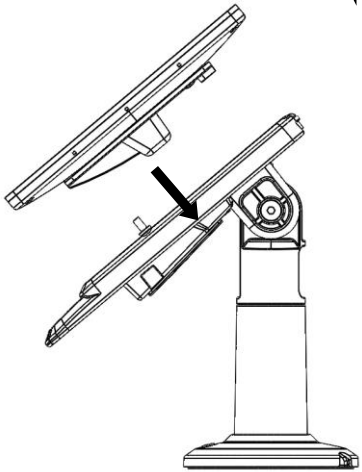
Align holes of VESA backplate with corresponding mounting holes of device.

Or fix to device at desired orientation with VHB pad

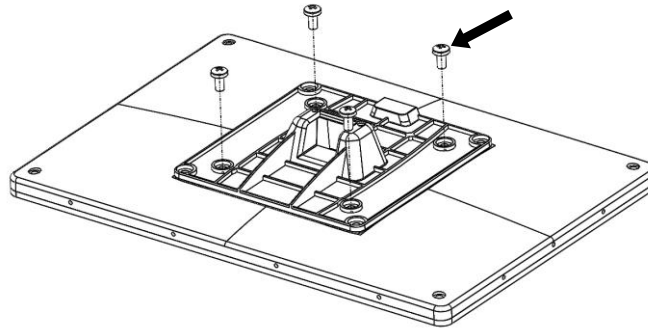
3

Step 3

Fit device onto stand. Press firmly until click.



2



Step 2

If fitting with screws use screwdriver to hand tighten.

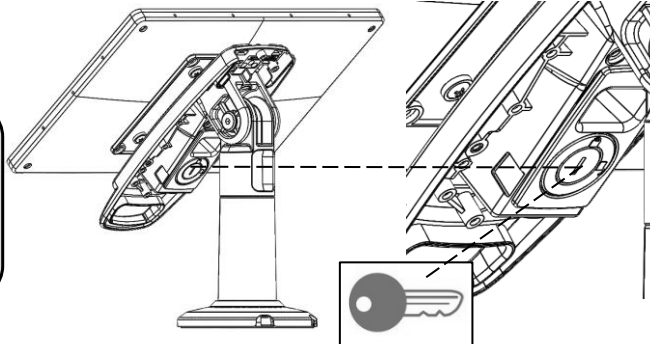
(M4 screws supplied. For other sizes refer to display manufacturer handbook)

### OPTIONAL

#### **SAFEBASE OPTION**

To lock device, turn key clockwise then remove key.

To unlock, turn counter-clockwise.



To remove device

