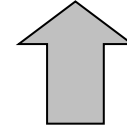
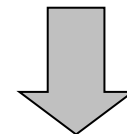
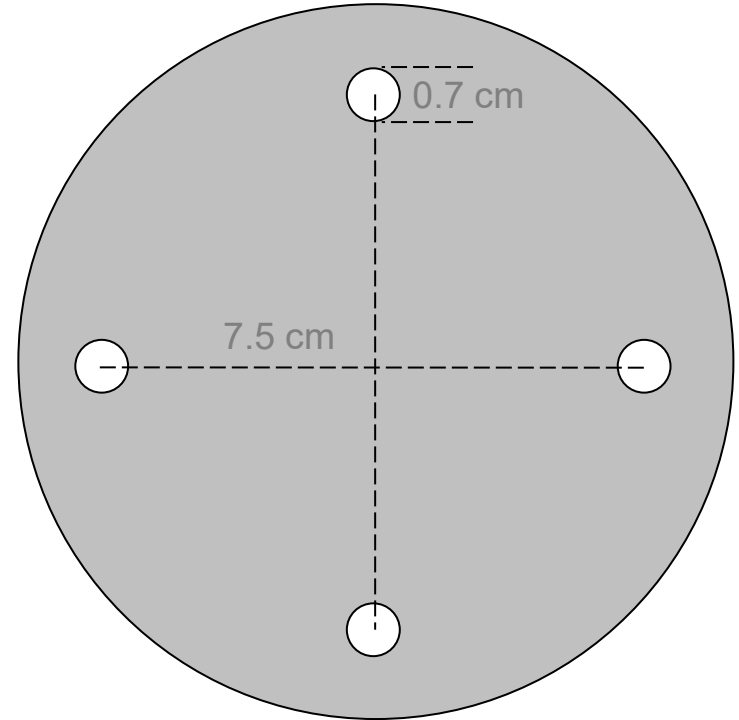


DRILL TEMPLATE



CABLES



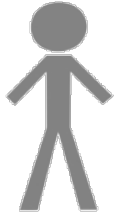
CUSTOMER

TOOLS

Note

No tools required if using adhesive pad provided.

If using drill template, use suitably qualified personnel to install.



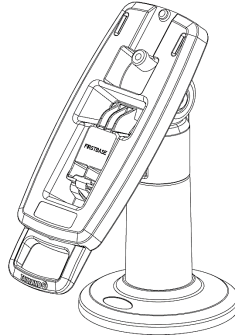
PARTS



x1

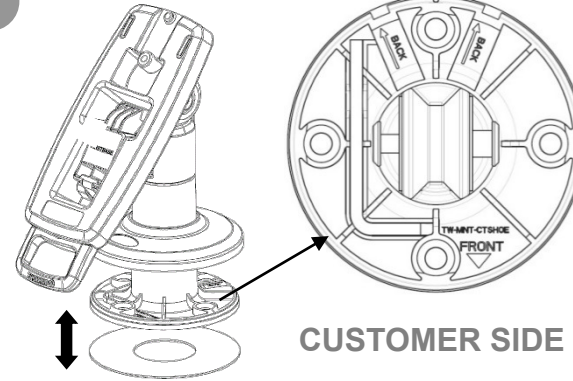


x1



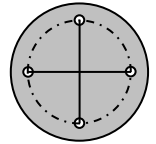
x1

1



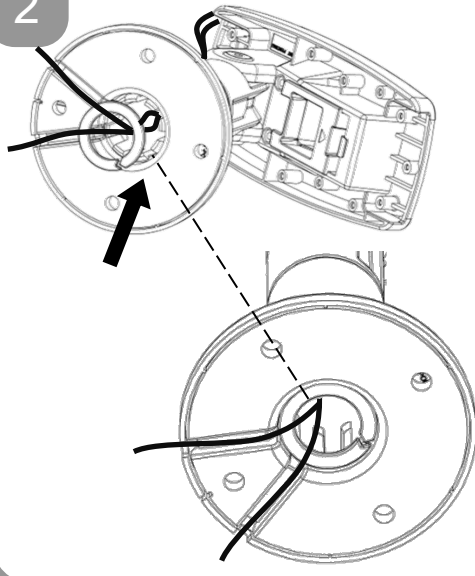
NOTE

For screw mount – use drill template supplied. Extra tools will be required. Use qualified personnel.



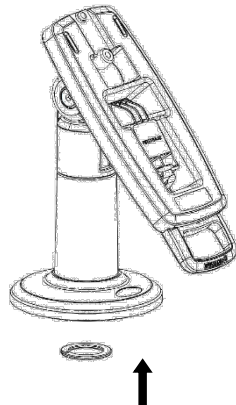
CUSTOMER SIDE

2



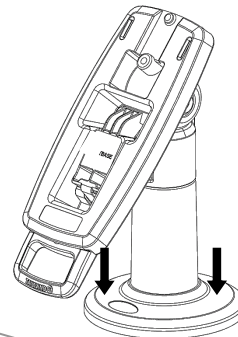
Optional

Use washer as shown, if routing cables through pole.

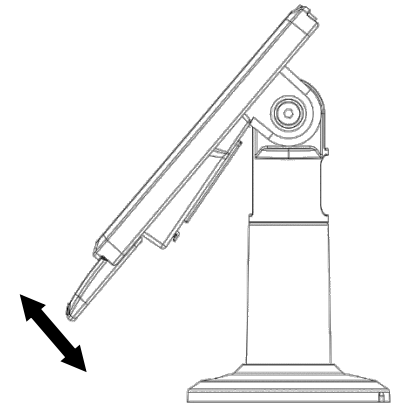
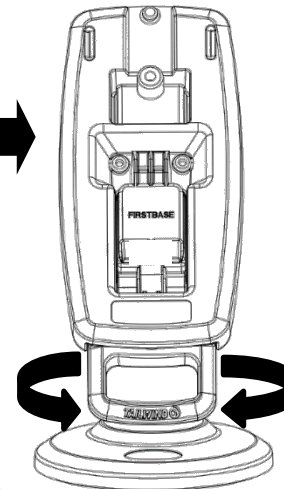


3

PUSH down here



4



PARTS LIST

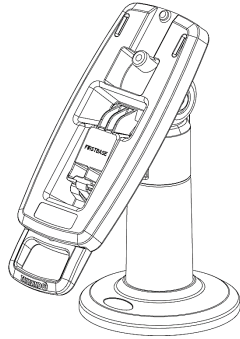
ASS30101



x1

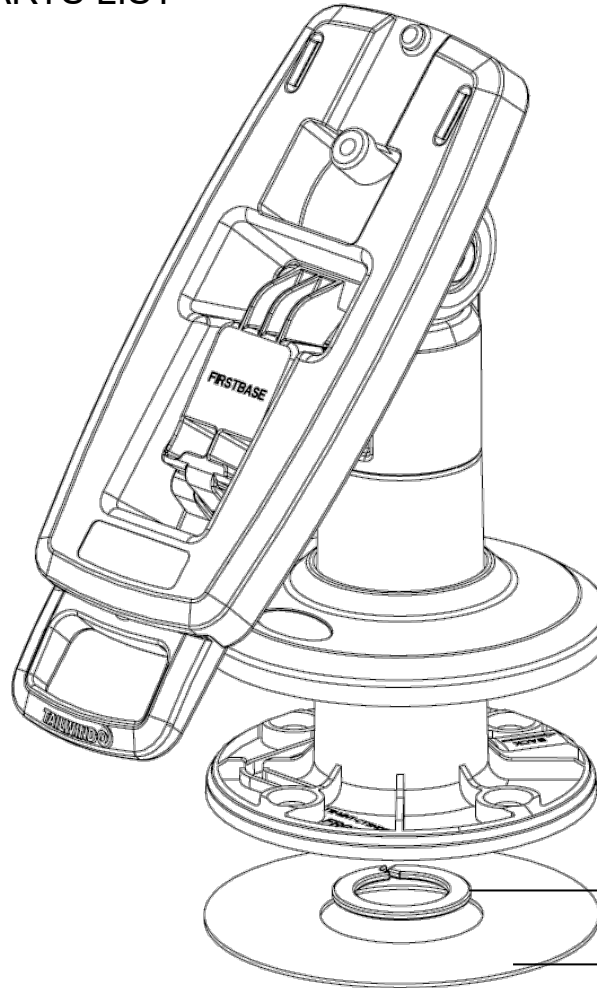


x1



x1

DETAILED PARTS LIST



Split Washer (PRT00103)

Adhesive Pad (PRT00201)