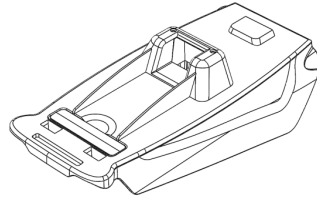


TOOLS



1 min

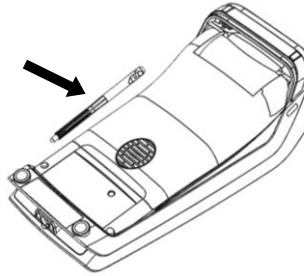
PARTS



1 x Desk 3500/5000 Backplate

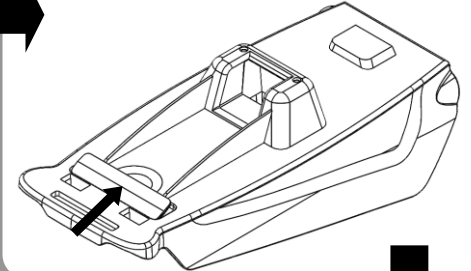
1

Remove stylus from Payment Terminal.



2

Check clip is in open position.



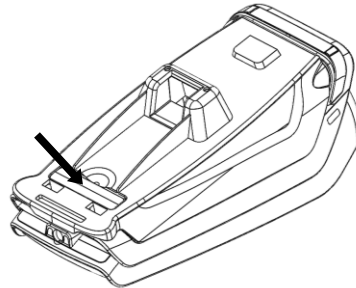
5

Slide stylus into side of backplate.



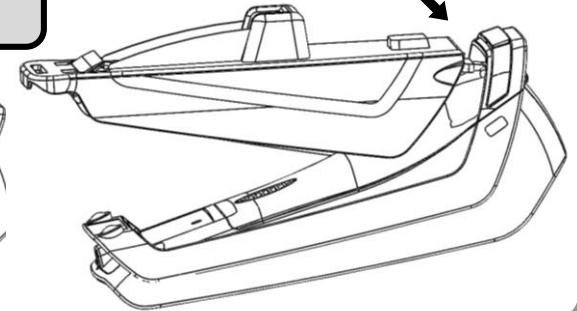
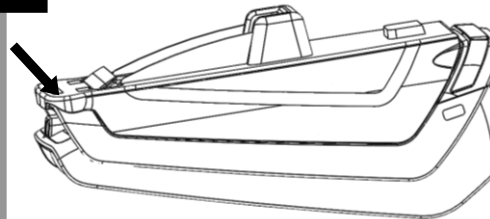
4

Press clip down firmly until click.



3

Hook backplate under rear stand of Payment Terminal. Rotate and press firmly until click.



6

Fit Terminal onto stand. Press firmly until click.

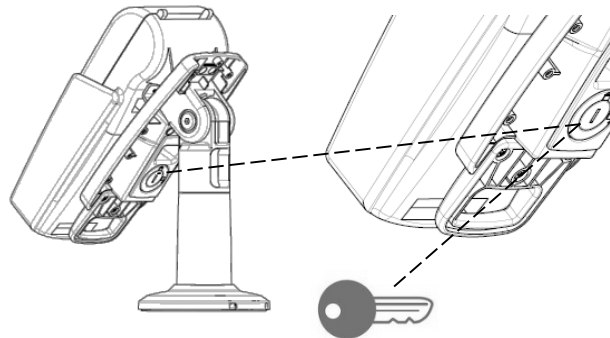


OPTIONAL

SAFEBASE OPTION

To lock device, turn key clockwise then remove key.

To unlock, turn counter-clockwise.



To remove Terminal

