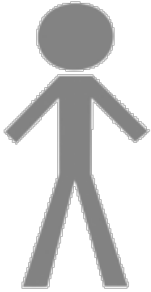
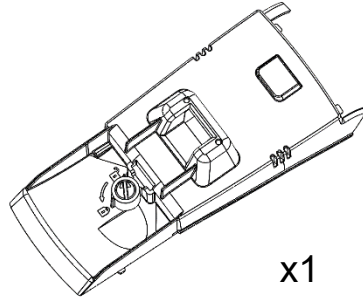


TOOLS



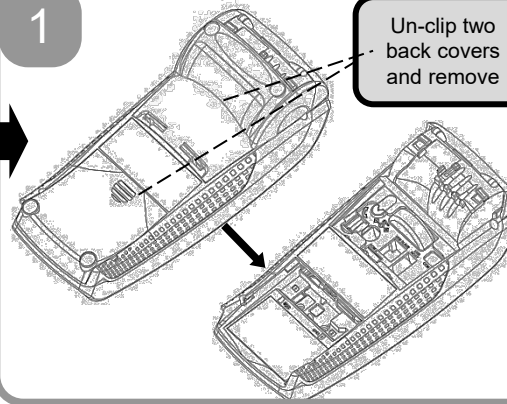
5 min

PARTS



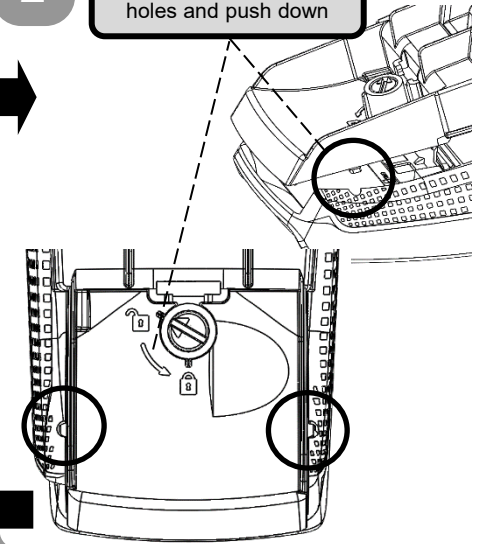
1

Un-clip two back covers and remove



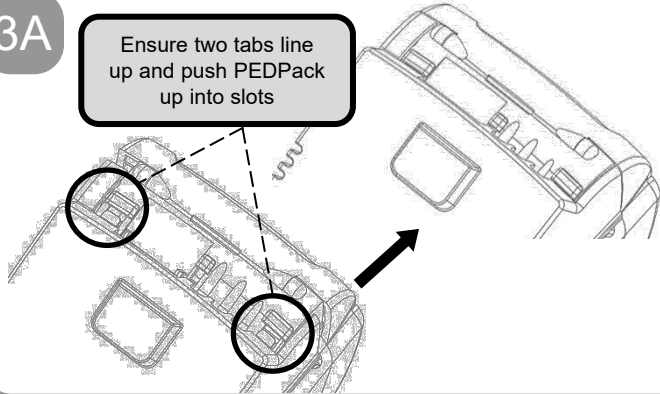
2

Line up two tabs with holes and push down



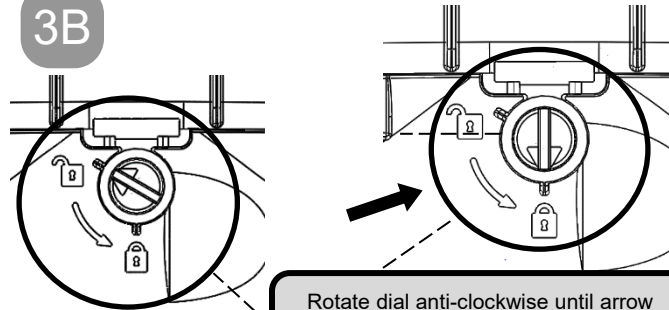
3A

Ensure two tabs line up and push PEDPack up into slots

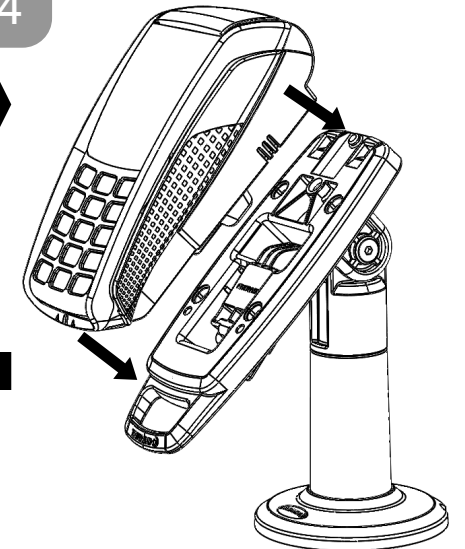


3B

Rotate dial anti-clockwise until arrow head aligns with the locked symbol and dial "clicks" into place



4

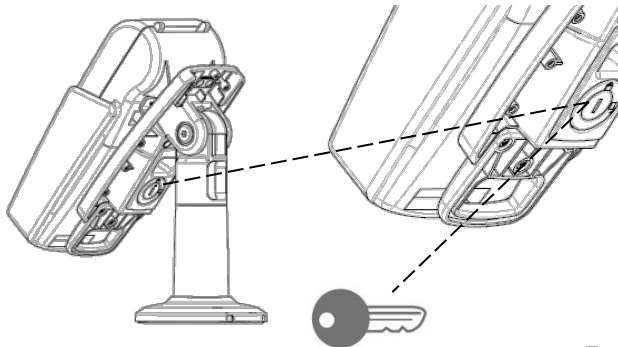


5

OPTIONAL

If locking device, turn key then remove to secure.

To unlock, first ensure key fitted.



To remove device...

