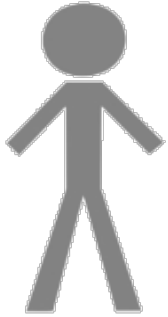
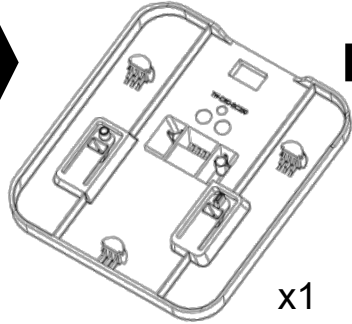


TOOLS



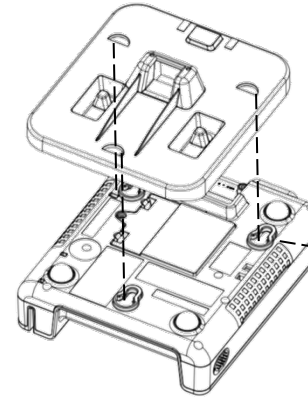
5 min

PARTS

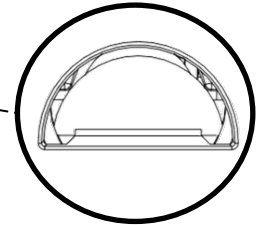


1

Ensure 3 tabs on PEDPack line up with 3 semi circular holes in PED

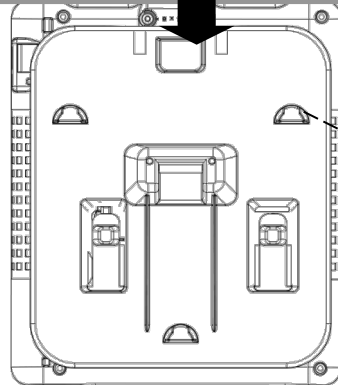
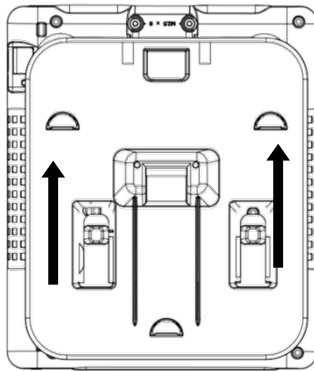


Fit pedpack downwards, slot tabs into holes in all three positions

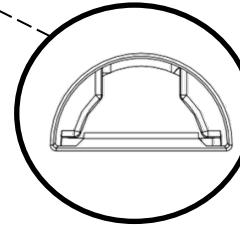


2

Once tabs are slotted, push PEDPack upwards until tabs are captured in keyholes and both clips fully engage

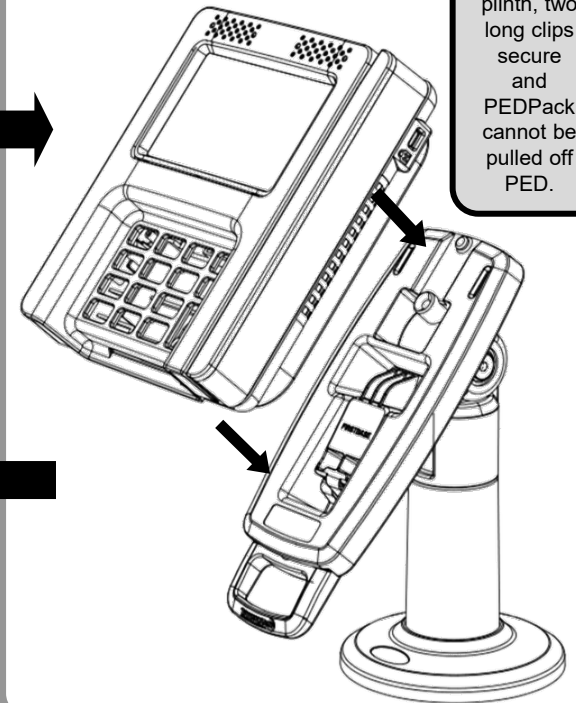


Check 3 tabs are captured and pedpack cannot be pulled upwards



3

When fitted onto plinth, two long clips secure and PEDPack cannot be pulled off PED.



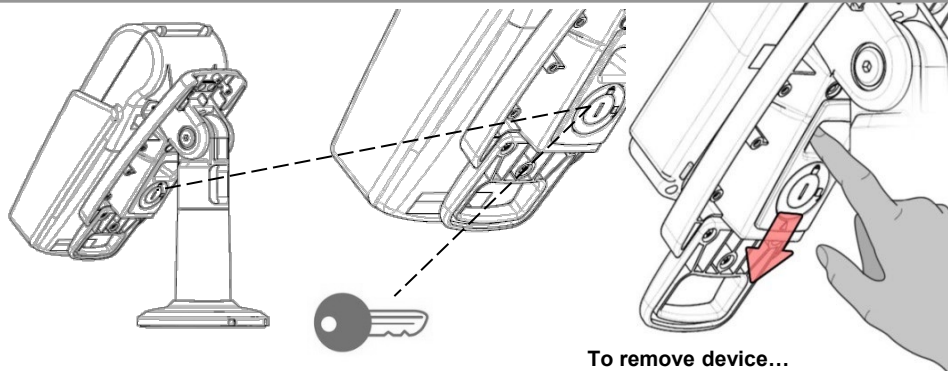
4

GENERIC PED SHOWN

OPTIONAL

If locking device, turn key then remove to secure.

To unlock, first ensure key fitted.



To remove device...