

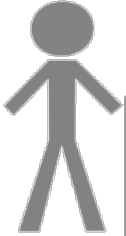
TOOLS

RECOMMENDED

Torque setting 40CNm
for all screw fixings

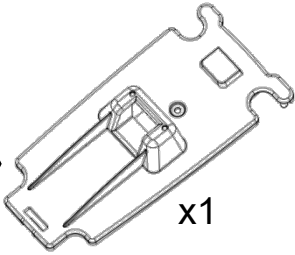


PZ

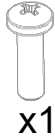


5 min

PARTS



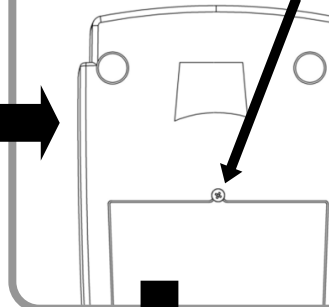
x1



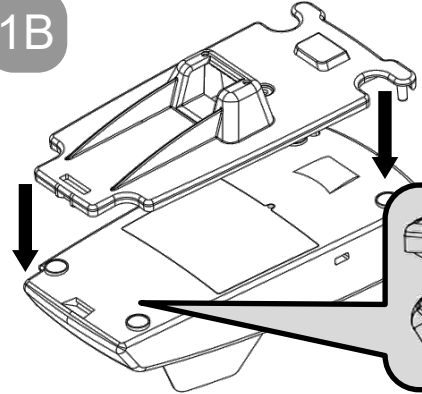
x1

1A

Remove screw if
present



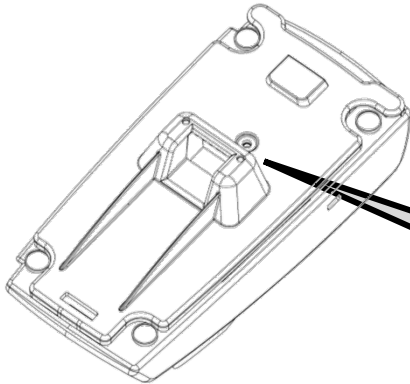
1B



Locate
bosses in
holes

Hook into
IPP350

2

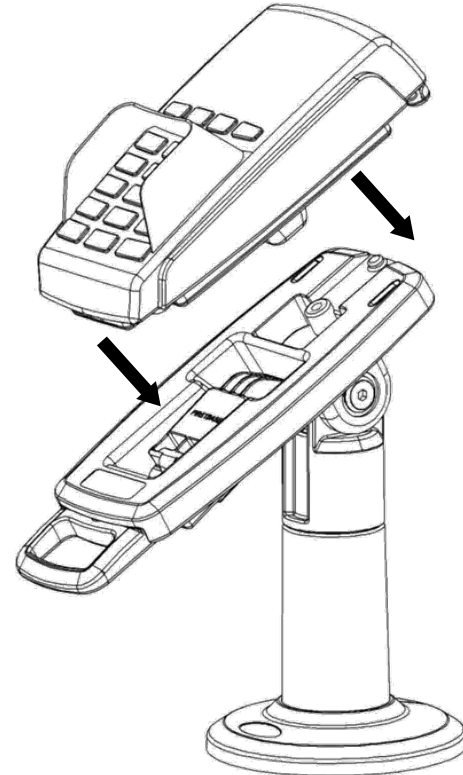


x1



Torque setting 40CNm

3

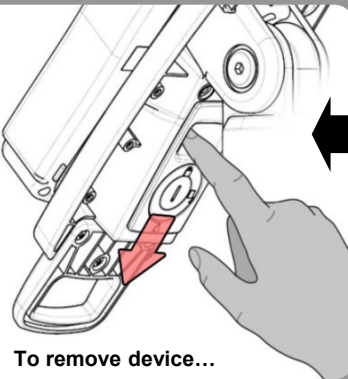
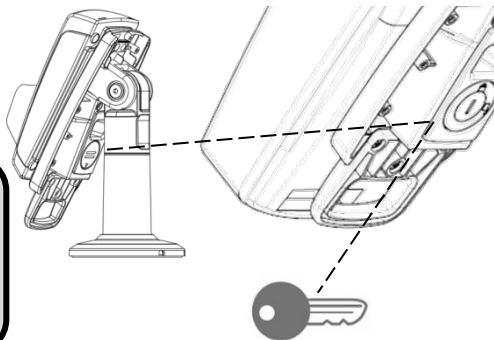


4

OPTIONAL

If locking device, turn key
then remove to secure.

To unlock, first ensure
key fitted.



To remove device...