

TOOLS

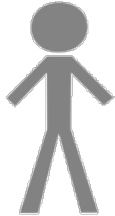
RECOMMENDED

Torque setting 40CNm
for all screw fixings



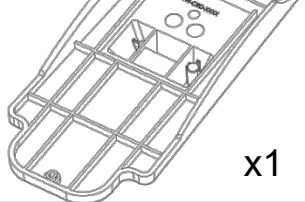
+

PZ



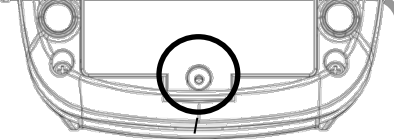
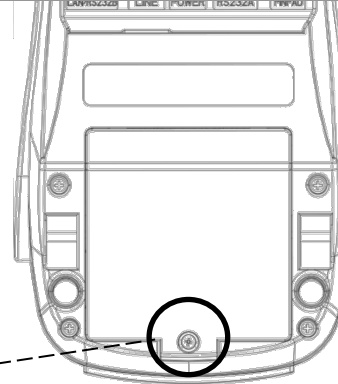
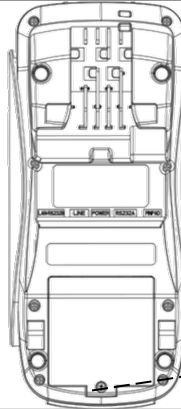
PARTS

x1



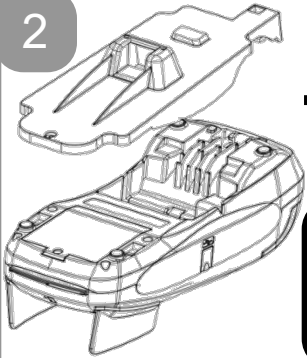
x1

1

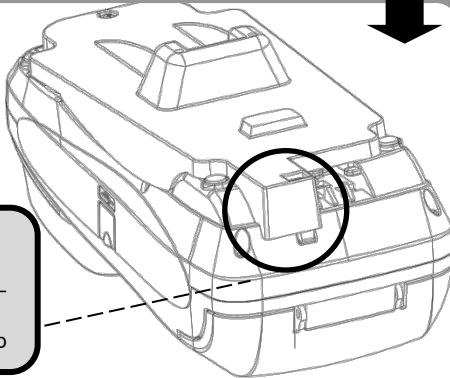


Remove existing
screw from PED
Cover

2

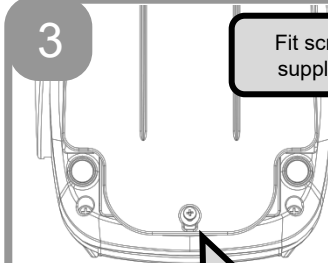


Position
PEDPack
over PED –
Hook in
place at top



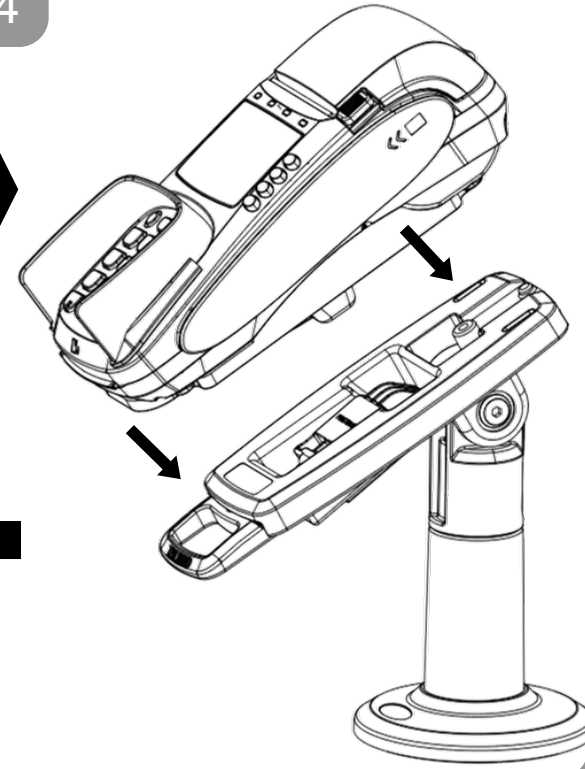
3

Fit screw
supplied



Torque setting 40CNm

4

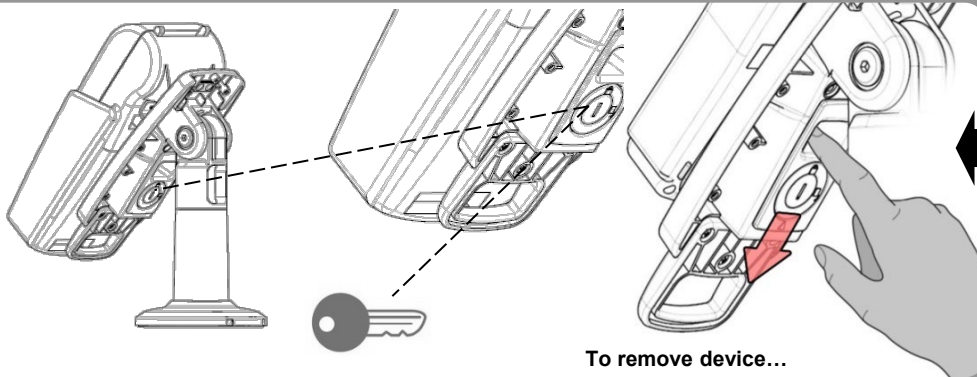


5

OPTIONAL

If locking device, turn key
then remove to secure.

To unlock, first ensure
key fitted.



To remove device...