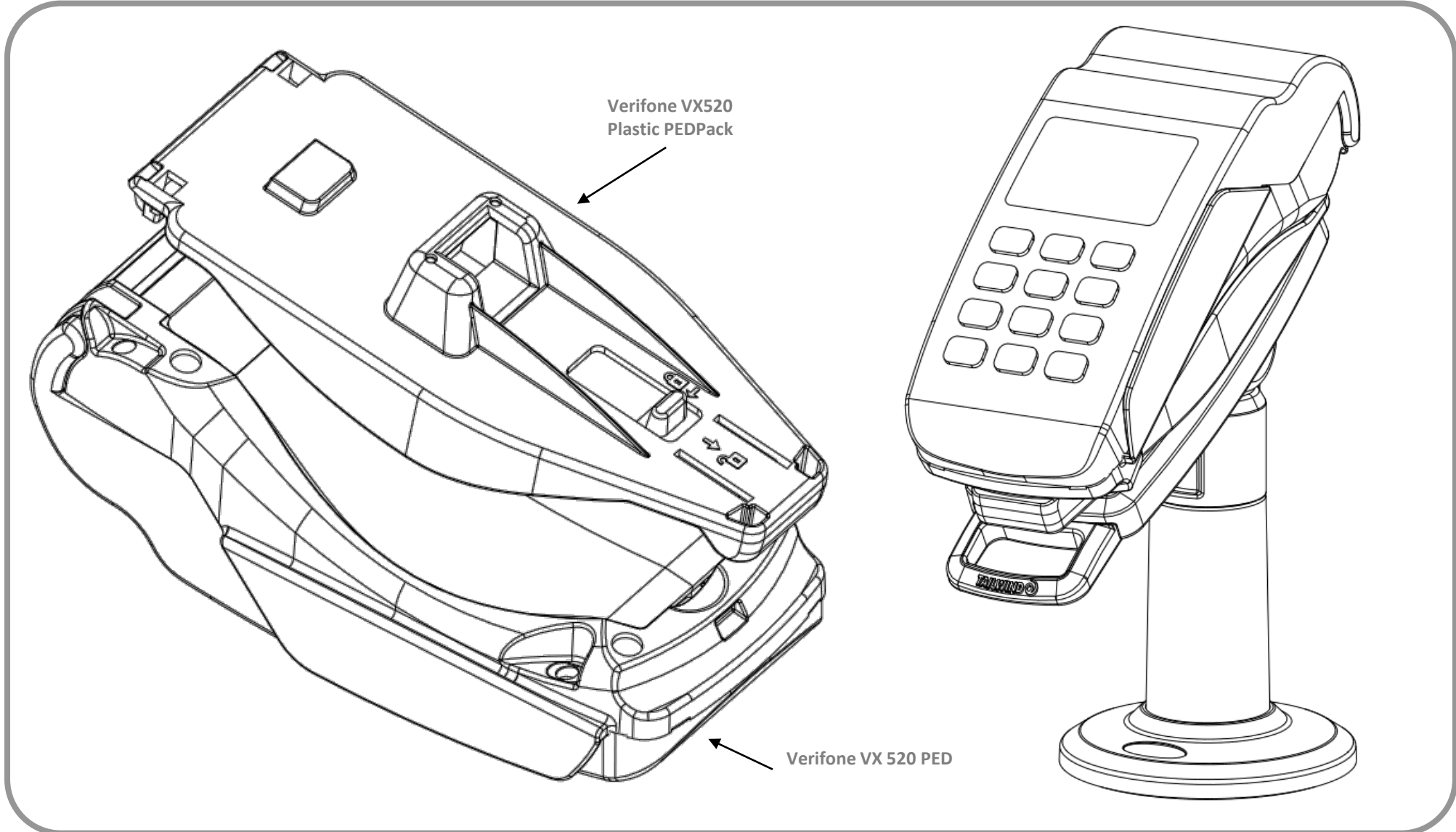




Verifone VX 520 PEDPack - 40mm Paper Roll (V3)

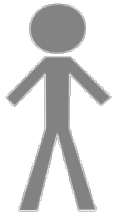
Quick Installation Guide



Verifone VX520
Plastic PEDPack

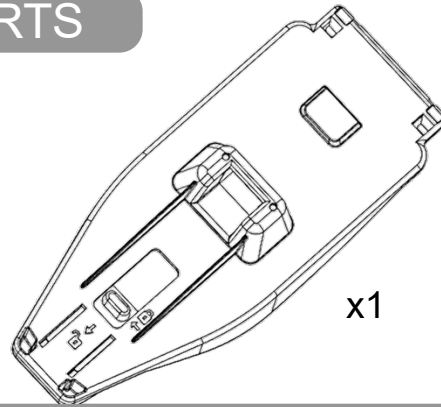
Verifone VX 520 PED

TOOLS



5 min

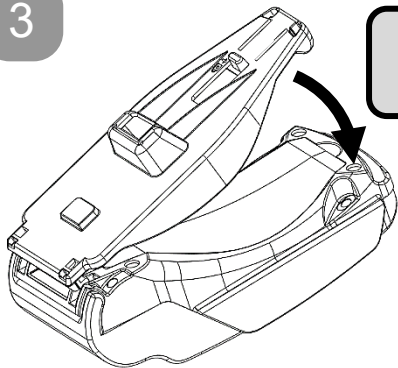
PARTS



1

Fit both hooks at front of unit

3



Rotate PEDPack down

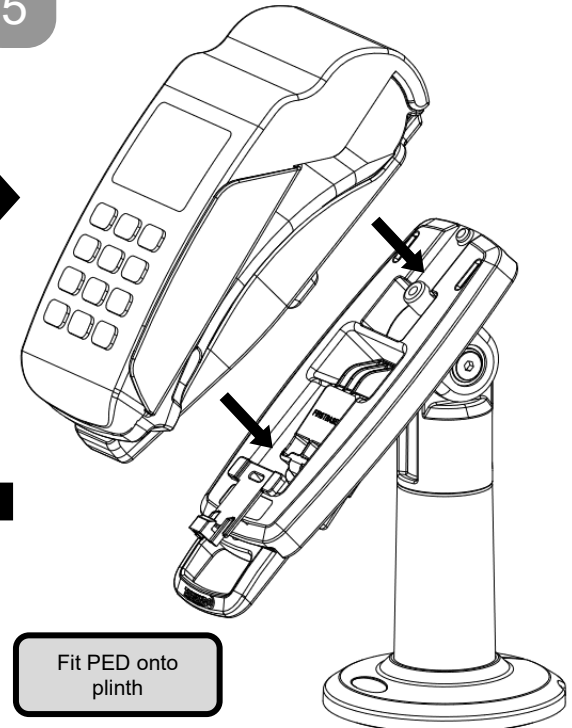
4

Push down at end and click in place

CLICK !!

CHECK - push slider upwards to line up with lock symbol to check locked

5



Fit PED onto plinth

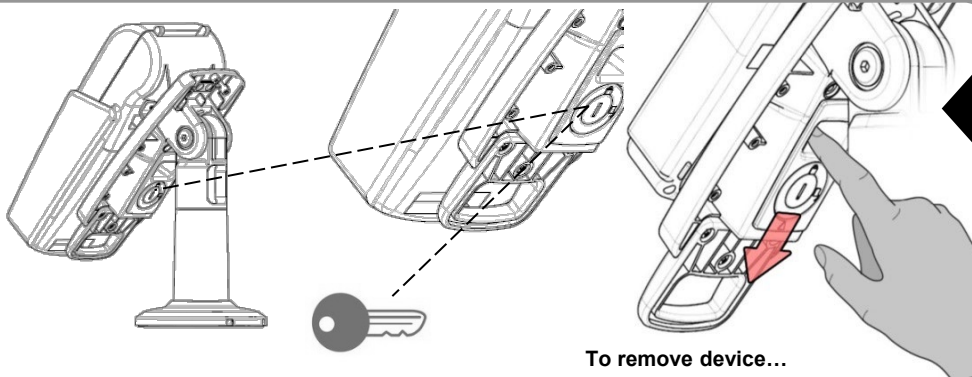
6

GENERIC PED SHOWN

OPTIONAL

If locking device, turn key then remove to secure.

To unlock, first ensure key fitted.



To remove device...