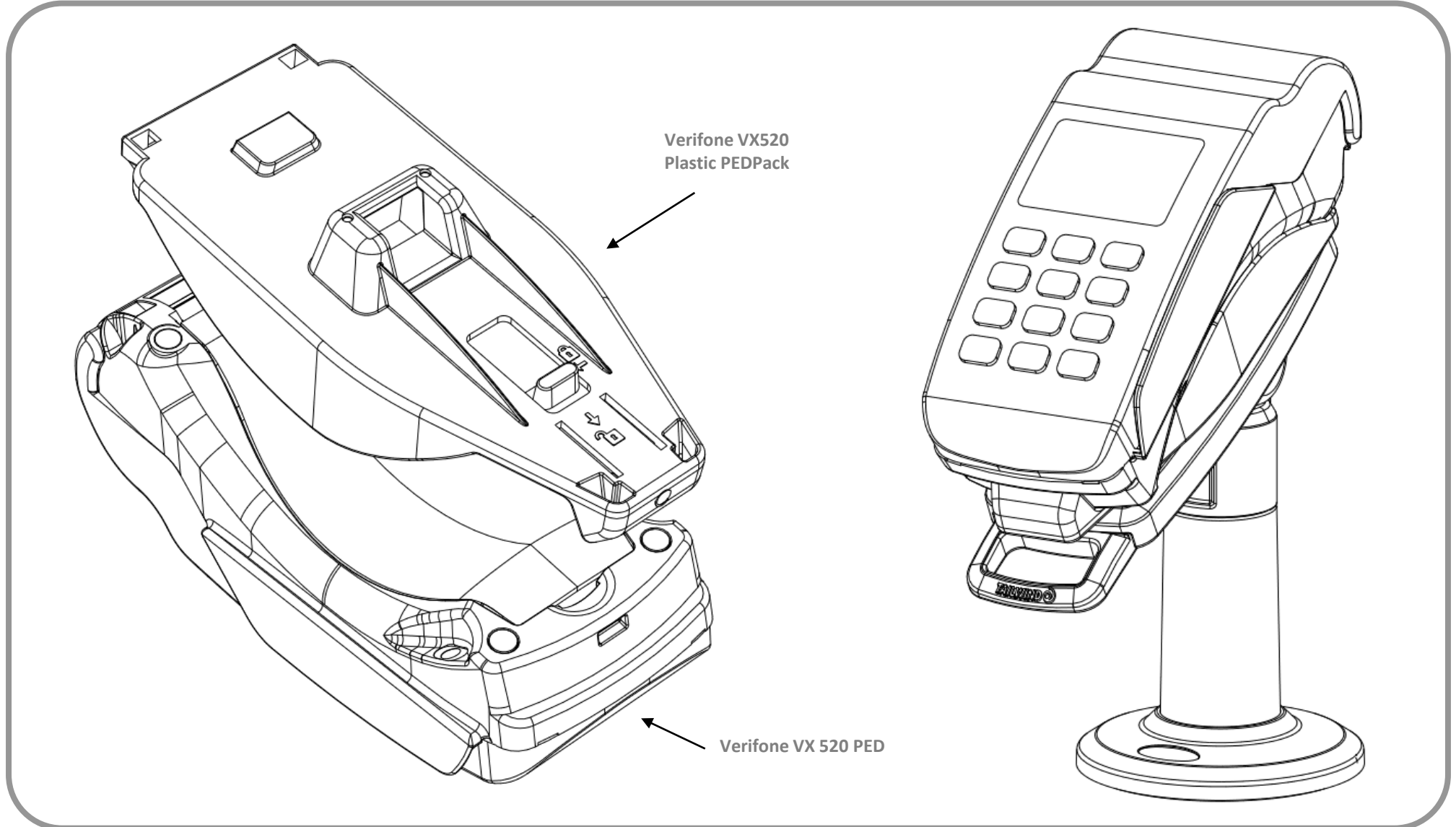


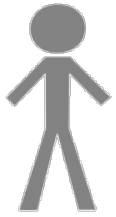


Verifone VX 520 PEDPack - 49mm Paper Roll (V6)

Quick Installation Guide

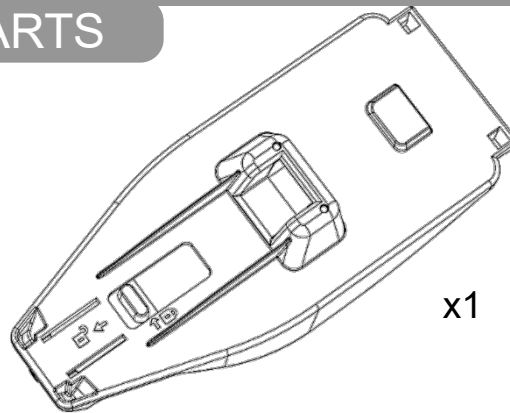


TOOLS



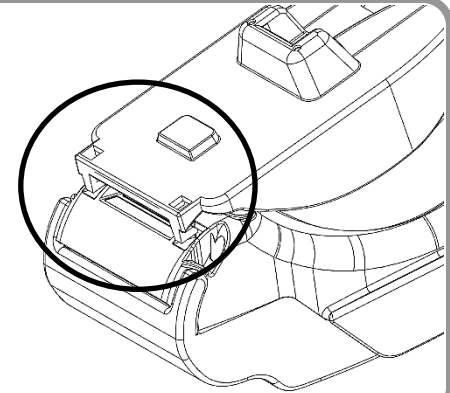
5 min

PARTS

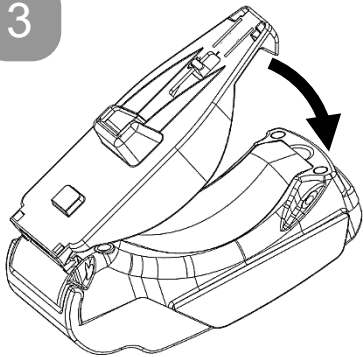


1

Fit both hooks at front of unit



3



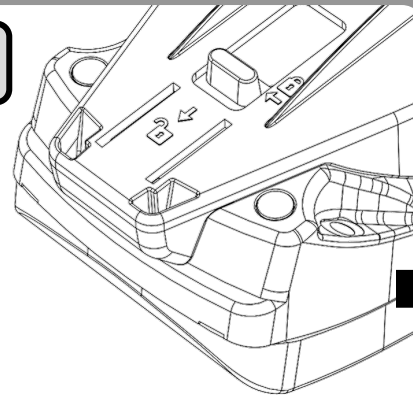
Rotate PEDPack down

4

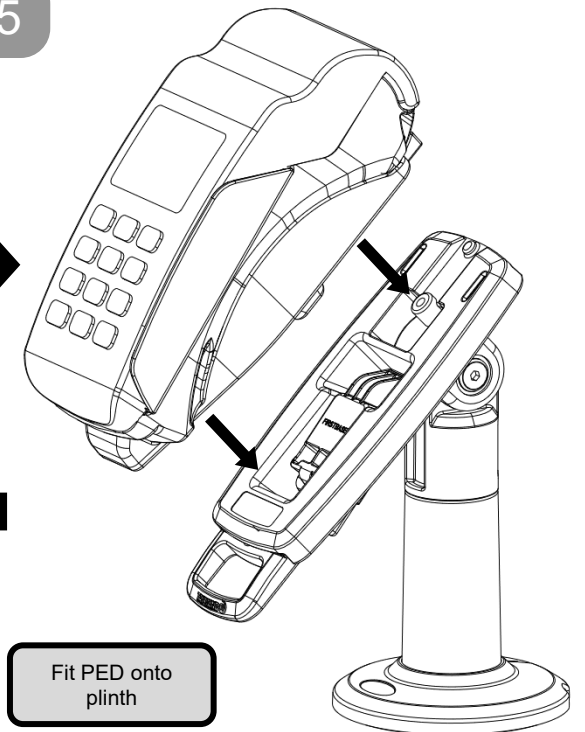
Push down at end and click in place

CLICK !!

CHECK - push slider upwards to line up with lock symbol to check locked



5



Fit PED onto plinth

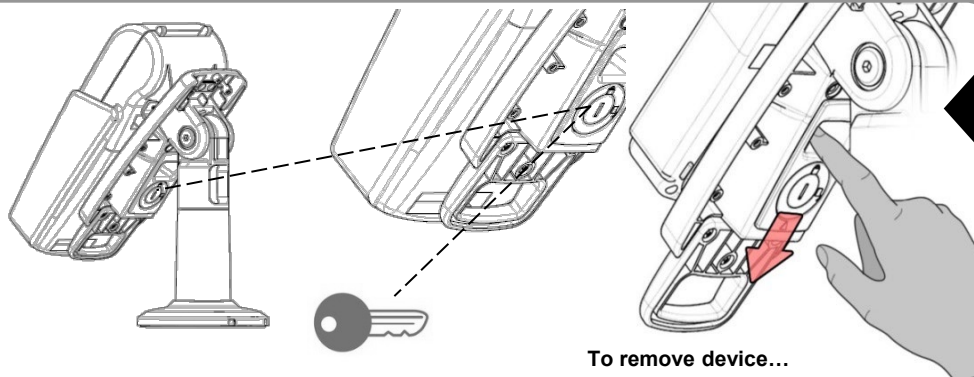
6

GENERIC PED SHOWN

OPTIONAL

If locking device, turn key then remove to secure.

To unlock, first ensure key fitted.



To remove device...