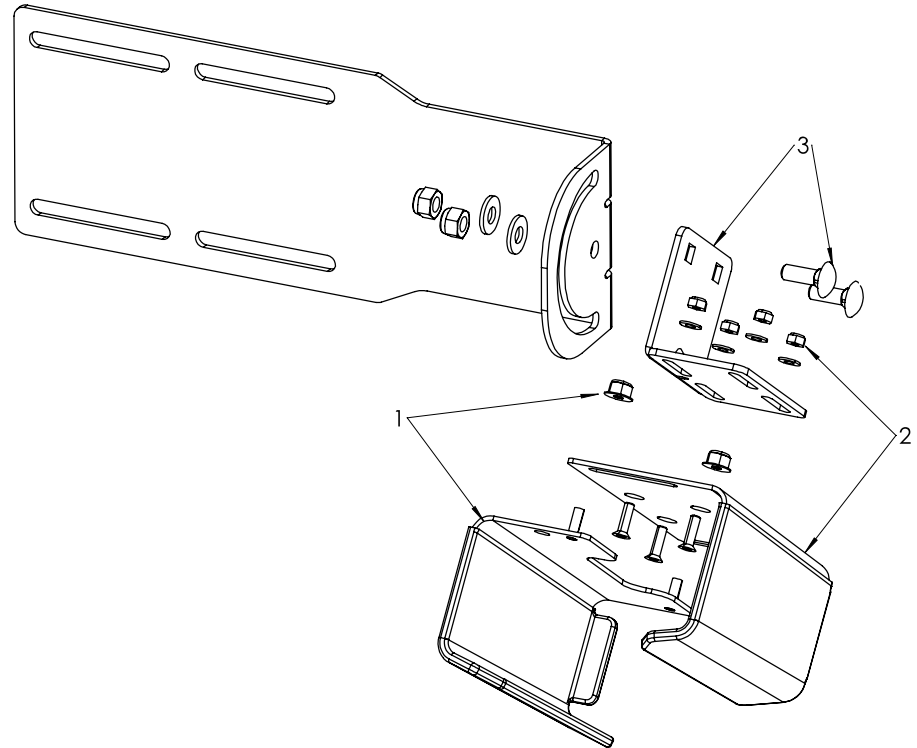


INSTALLATION INSTRUCTIONS:

1. CONNECT LEFT SIDE BUCKET TO RIGHT SIDE BUCKET WITH TWO 8-32 NUTS.
2. ATTACH BUCKET ASSEMBLY TO L-BRACKET USING FOUR M4 SCREWS, WASHERS AND NUTS.
3. ATTACH L-BRACKET TO DISPLAY MOUNT USING TWO 1/4-20 CARRIAGE BOLTS, WASHERS, AND NUTS.
4. ATTACH ASSEMBLY TO DISPLAY. ADJUST SCANNER BUCKET ANGLE AND DEPTH TO DESIRED POSITIONS. ADJUST BUCKET WIDTH FOR SCANNER. FULLY TIGHTEN ALL HARDWARE.



WARNING: ALL HAVIS INC. PRODUCTS ARE DESIGNED WITH SAFETY OF USE AND INSTALLATION IN MIND. HOWEVER, IT IS THE SOLE RESPONSIBILITY OF THE OWNER/OPERATOR OF A VEHICLE USING HAVIS INC. MOUNTING AND DOCKING EQUIPMENT, TO INSURE THAT THE EQUIPMENT IS INSTALLED SO THAT IT WILL NOT INTERFERE WITH VEHICLE OPERATION, INTERFERE WITH SAFETY DEVICES, OBSTRUCT VIEW OF DRIVING CONDITIONS, OR IN ANY WAY DEGRADE OCCUPANT SAFETY. IMPROPER INSTALLATION CAN CAUSE SERIOUS INJURY IN THE EVENT OF AN ACCIDENT. INSTALLATION SHOULD ONLY BE PERFORMED BY QUALIFIED PROFESSIONALS. COMPUTERS AND MOTION DEVICES MUST BE MOVED TO AND STOWED/SECURED IN THEIR SAFE DRIVING POSITIONS BEFORE OPERATING VEHICLE.

DRAWING NO.

10-013830

PRODUCT DESCRIPTION

**INSTR, TABLET BUCKET
SCANNER**

HAVIS

1-800-524-9900
WWW.HAVIS.COM

WEIGHT: (LBS)

1.894

REV. DATE

08/02/23

F-730-019 REV 6