

Owner's Manual Havis Charging Holder For Zebra TC22/27

DS-ZEB-600 Series

DS-ZEB-601

For Zebra TC22/27
With Rugged Boot.



DS-ZEB-602

For Zebra TC22/27
Without Rugged Boot.



Before Beginning

Havis is pleased to provide this Owner's Manual to aid in the proper installation and use of the DS-ZEB-600 Series Charging Holder for the Zebra TC22/TC27 Mobile Computers.

For questions regarding the set-up of your DS-ZEB-600 Series Charging Holder, please contact Havis at 1-800-524-9900 or visit www.havis.com for additional product support and information.

This Owner's Manual applies to the following Part Numbers:

DS-ZEB-601 – Rugged Charging Holder for Zebra TC22/27 with rugged boot

DS-ZEB-602 – Rugged Charging Holder for Zebra TC22/27 without rugged boot

⚠️ WARNING

- NEVER STOW OR MOUNT THE CHARGING HOLDER DIRECTLY IN A VEHICLE AIRBAG DEPLOYMENT ZONE.
- DO NOT USE COMPUTER WHILE DRIVING.

⚠️ CAUTION

- READ ALL INSTRUCTIONS THOROUGHLY BEFORE BEGINNING INSTALLATION.
- DO NOT STORE, INSTALL, OR OPERATE THE DOCKING STATION WHERE WATER, MOISTURE, STEAM, DUST, ETC. ARE PRESENT

Precautions

- Do not place metal objects or containers of liquid on top of the Charging Holder.
- If a malfunction occurs, immediately unplug the power cord and remove the computer.
- Use only the specified Power Cord (Part # DS-DA-343) with this Charging Holder.
- Do not connect cables into ports other than what they are specified for.
- Do not leave the Charging Holder in a high temperature environment greater than 70 °C (158 °F) for a long period of time.
- Ensure you order the correct Assembly for the Specific Device Configuration. (See Below)

DS-ZEB-601

For Zebra TC22/27
With Rugged Boot.
(High Gloss Center)



DS-ZEB-602

For Zebra TC22/27
Without Rugged Boot.
(Dull/Matte Center)



Specifications

Power Supply Input	5.0 ±5% V(DC) and 9.0 ±5% V(DC) ; Max current 2.5 A
Dimensions	5.8" (14.7 cm) H x 4.2" (10.6 cm) W x 1.8" (4.5 cm) D
Weight	0.5 lb (0.23 kg)
Operating Environment	5 °C to 40 °C (41 °F to 104 °F)
Storage Environment	-40 °C to 70 °C (-40 °F to 158 °F)

EC DECLARATION OF CONFORMITY

Manufacturers Name: Havis, Inc.

Manufacturers Address: 75 Jacksonville Road, Warminster, PA 18974 USA

Declares under our sole responsibility that the product:

Product name: Havis Rugged Charging Holder for Zebra TC22/TC27 Mobile Computers

Model: DS-ZEB-60X, where 'X' may be any alphanumeric character which describes product options.

Is in conformity with the following standards or other normative documents:-

Directive 2011/65/EU

Restriction of the use of certain hazardous substances (RoHS)

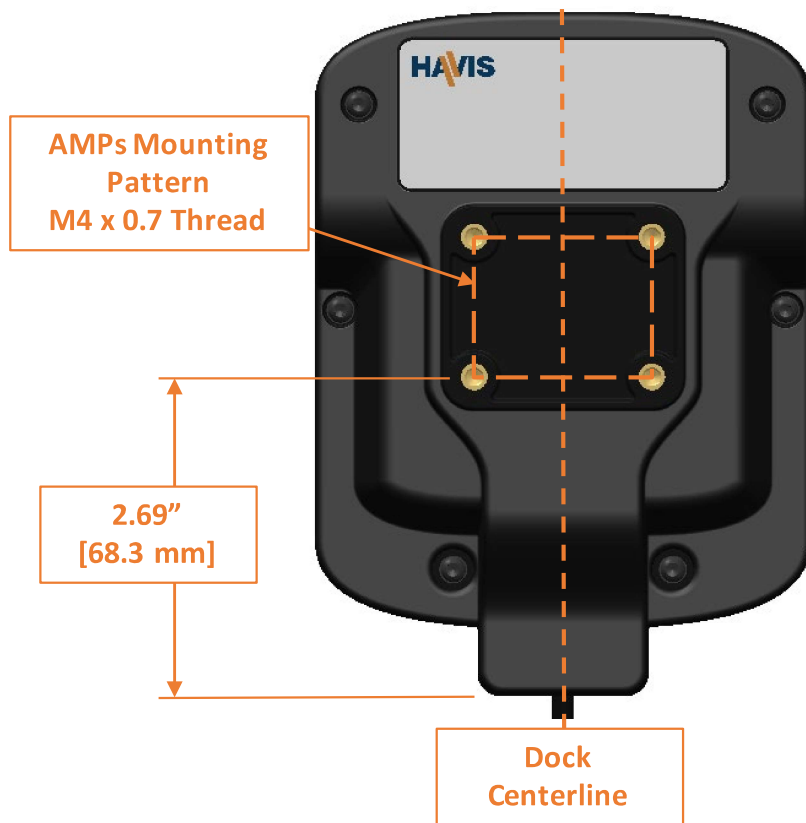
Warminster, PA, USA

November 03, 2023

Steve Telesco, Director of Engineering, Havis, Inc.



Specifications



Parts Included

Hardware Kit (30-010825)

This Hardware Kit includes:

1. M4 x 0.7 x 12mm long Pan Head Screws (5)
2. Split Lock Washers (5)
3. Washers, M4 (5)
(only requires (4), one set spare)

Tools required for installation:

- #2 Phillips (For M4 Pan Head Screws)

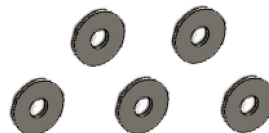
①



②



③



Installation

- 1) Align Charging Holder mounting holes with the hole pattern on mounting device. Using the four (4) M4 0.7 x 12mm Pan Head Screws (Hardware Kit Item 1), four (4) Washers, M4 (Hardware Kit Item 2), and four (4) Lock Washers, M4 (Hardware Kit Item 3), secure the Charging Holder to device.
- 2) Torque screws to 20 in-lbs (2.3Nm) \pm 10%.

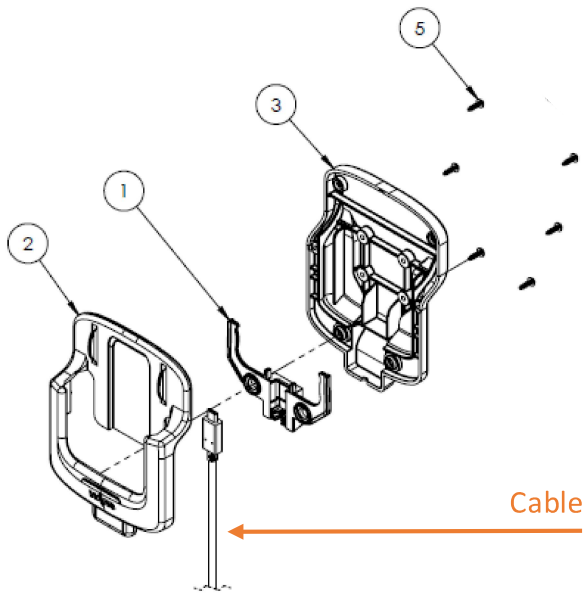
(Note: Screws specified are for .070"-.220" Thick Mounting Plates. Please select an appropriate length Screw if your installation is outside that range.)



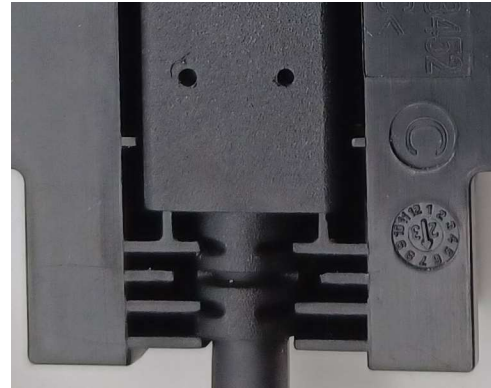
Cable Management

- 1) Orient the Charging Holder in a position that is comfortable to work with.
- 2) Create a service loop with cable to ensure that no tension is on the connectors and to enable intended motion at each end.
- 3) Secure cable bundle to the Mounting Bracket with zip ties or other means.
- 4) Tie off cables onto a stationary part of the mounting system.

Cable Replacement



- 1) Remove Housing screws (Item 5) with T10 Torx.
- 2) Remove Housing (Item 3).
- 3) Separate Clip (Item 1) with cable from Cover (Item 2).
- 4) Separate Cable from Clip (Item 1).
- 5) Install new Cable (DS-DA-343) ensuring it is seated properly (see picture below).
- 6) Assemble
- 7) Torque Fasteners to 8 in-lbs.
DO NOT OVER TORQUE.



Related Products

Havis offers a wide variety of accessory products specifically for use with your USB hub. For more information or to order, please visit www.havis.com.



C-USB-4 **USB-C® CAR FAST CHARGER**

Tested and certified to provide a safe, fast charge to your USB-C device.



C-USB-3 **USB-C & USB Type A Dual Port Charger**



DS-DA-343 **REPLACEMENT CABLE** Cable, USB, TYPE C, Male to Male, 79" Cable [200 cm]