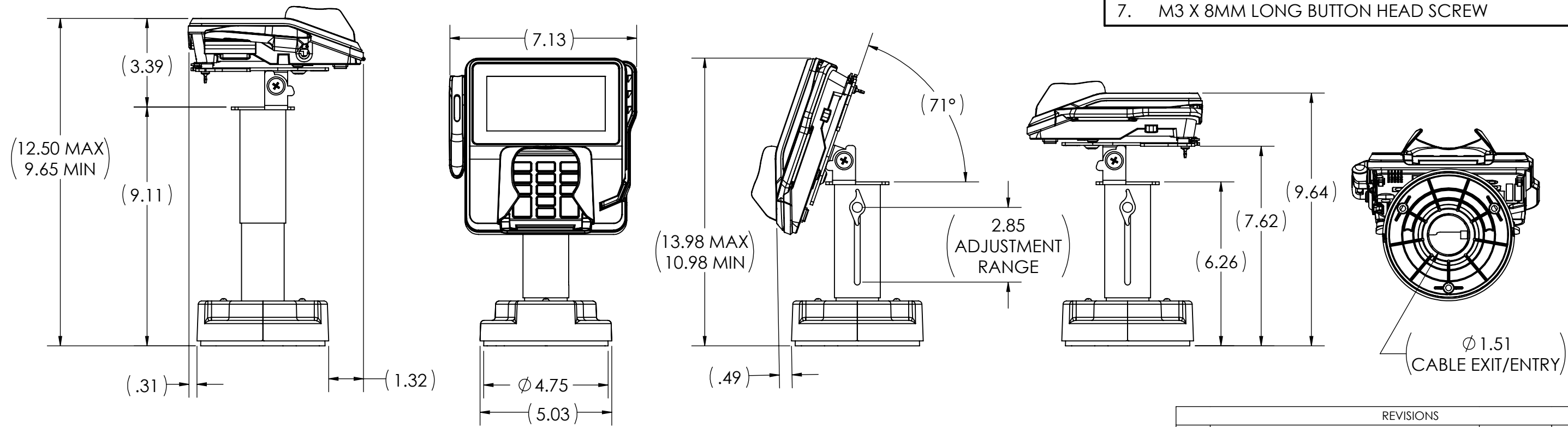


- 367-2408 PRODUCT INCLUDES:**
1. ENS TELESCOPING STAND
 2. 2X REMOVABLE COVERS
 3. #8-32 X .63" LONG THUMB SCREW
 4. 2X #6-32 X .25" LONG COVER ATTACHMENT SCREWS
 5. 3X #10 X 1.00" LONG PHILLIPS FLAT HEAD WOOD SCREWS
 6. 2MM ALLEN WRENCH
 7. M3 X 8MM LONG BUTTON HEAD SCREW



CUSTOMER APPROVAL
(SIGNATURE REQUIRED):

DWG. NO.
367-2408

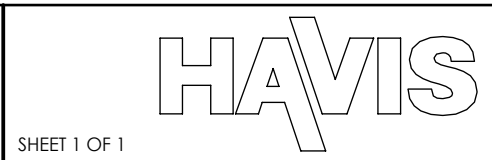
REV. **D**

DRAWN
A. MCLAUGHLIN

DATE
6/4/2012

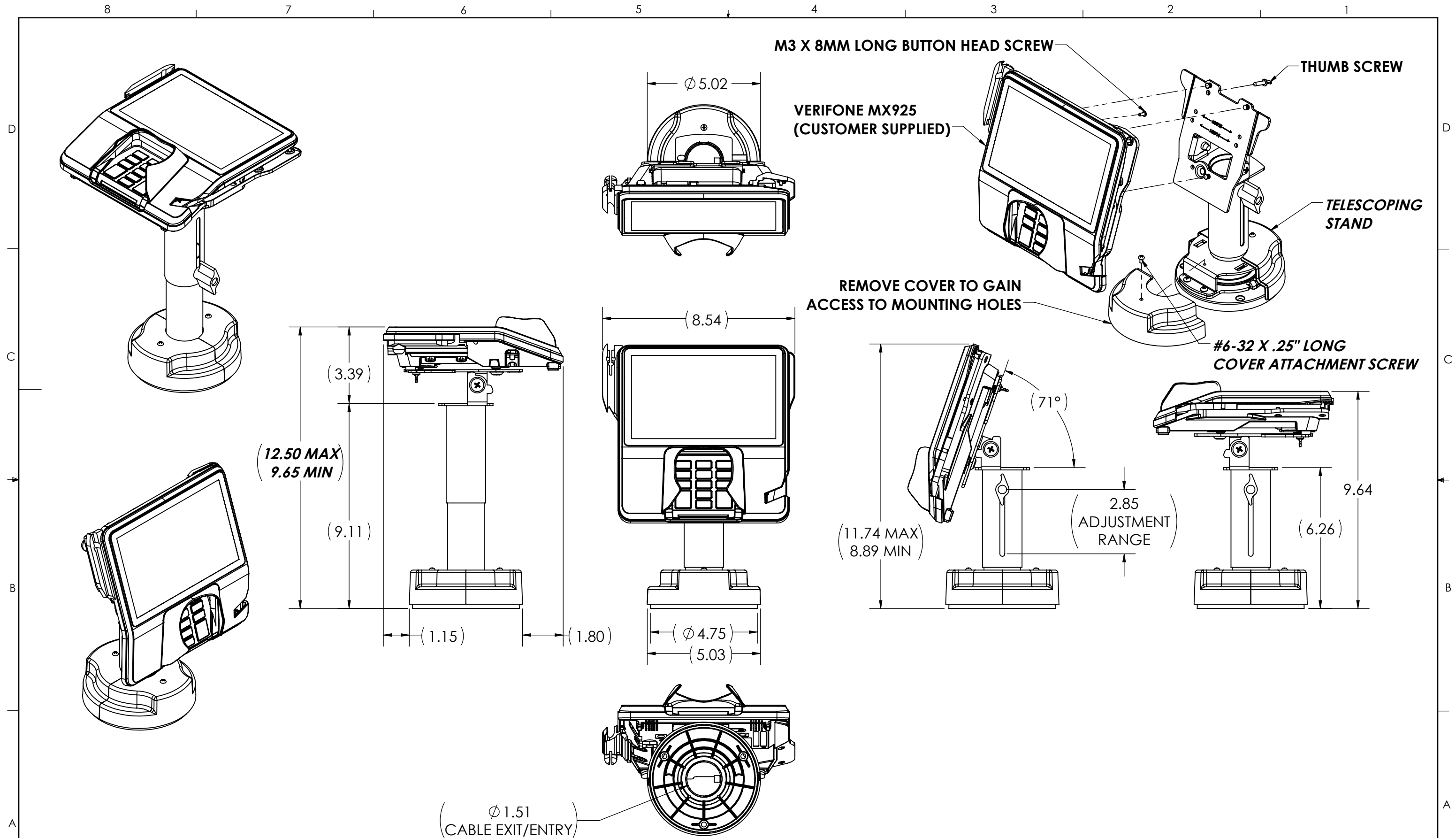
TITLE

**TELESCOPING STAND
VERIFONE MX915/MX925/M424/M425**



| REVISIONS | | | | |
|-----------|--|----------|-----|-------|
| REV | DESCRIPTION | DATE | BY | CHK'D |
| C | REVISED ENS2408B | 12/03/12 | EMS | EMS |
| D | REVISED PIVOT HARDWARE FOR IMPROVED PIVOTING PERFORMANCE | 06/20/16 | JEB | SAN |

CUSTOMER VERIFICATION



CUSTOMER APPROVAL
(SIGNATURE REQUIRED):

DWG. NO.
367-2408

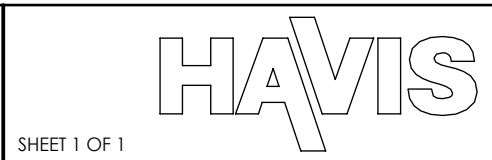
REV.
D

DRAWN
A. MCLAUGHLIN

DATE
6/4/2012

TITLE

**TELESCOPING STAND
VERIFONE MX915/MX925/M424/M425**



| REVISIONS | | | | |
|-----------|-------------|----------|-----|-------|
| REV | DESCRIPTION | DATE | BY | CHK'D |
| D | SEE SHEET 1 | 16/20/16 | JEB | JEB |

SHEET 1 OF 1

SHEET 1 OF 1

THE INFORMATION CONTAINED IN THIS DRAWING IS THE SOLE PROPERTY OF HAVIS, INC. AND REPRODUCTION IN PART OR IN WHOLE WITHOUT THE WRITTEN PERMISSION OF HAVIS, INC. IS PROHIBITED.

CUSTOMER VERIFICATION