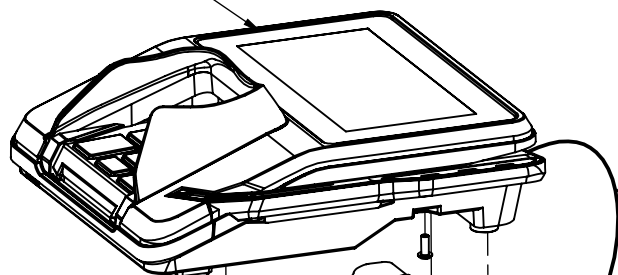


DETAIL A

**M3 X 8MM LONG
BUTTON HEAD CAP SCREW**

CREDIT CARD MACHINE



MACHINE CABLE

KEYHOLE STANDOFFS

MOUNTING PLATE

THUMB SCREW

**3X #10 X 1.00" LONG PHILLIPS
FLAT HEAD WOOD SCREWS**

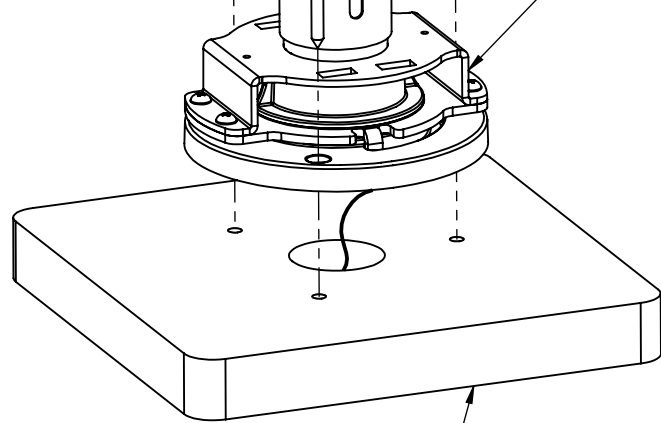
SWIVEL BASE

TOOL LIST:

1. #2 PHILLIPS SCREW OR DRILL DRIVER
2. 2MM ALLEN WRENCH (PROVIDED)
3. ϕ 9/64 DRILL BIT (ϕ .141") DRILL BIT & DRILL DRIVER
4. **OPTIONAL:** 1 3/8" (1.38") SPADE BIT

ASSEMBLY STEPS:

1. USING THE **SWIVEL BASE STAND** AS A TEMPLATE, ROTATE LEFT/RIGHT TO STOP POINTS TO DETERMINE DIRECTION OF SWIVEL BEFORE MOUNTING.
2. (OPTIONAL) DRILL A 1 3/8" (1.375") THROUGH HOLE INTO YOUR **COUNTER** AS SHOWN.
3. MARK MOUNTING LOCATION ON **COUNTER**
4. DRILL 9/64 HOLES IN MARKED LOCATION ON **COUNTER**.
5. ASSEMBLE THE **SWIVEL BASE** TO THE **COUNTER** BY USING **3X #10 X 1.00" LONG PHILLIPS FLAT HEAD WOOD SCREWS** AS SHOWN **MAKING SURE IT IS IN THE CORRECT ORIENTATION BEFORE YOU SCREW IT TO THE COUNTER.**
6. INSTALL THE **M3 X 8MM LONG BUTTON HEAD CAP SCREW** TO THE UNDERSIDE OF THE **CREDIT CARD MACHINE**. AS SHOWN IN **DETAIL A**
7. ASSEMBLE THE **CREDIT CARD MACHINE** TO THE **MOUNTING PLATE** BY SLIDING IT ONTO THE **KEYHOLE STANDOFFS** AS SHOWN.
8. THREAD THE **THUMB SCREW** INTO THE **MOUNTING PLATE** TO SECURE THE **CREDIT CARD MACHINE** AS SHOWN.
9. ROUTE THE **MACHINE CABLES** AS SHOWN.



COUNTER

STEP 1

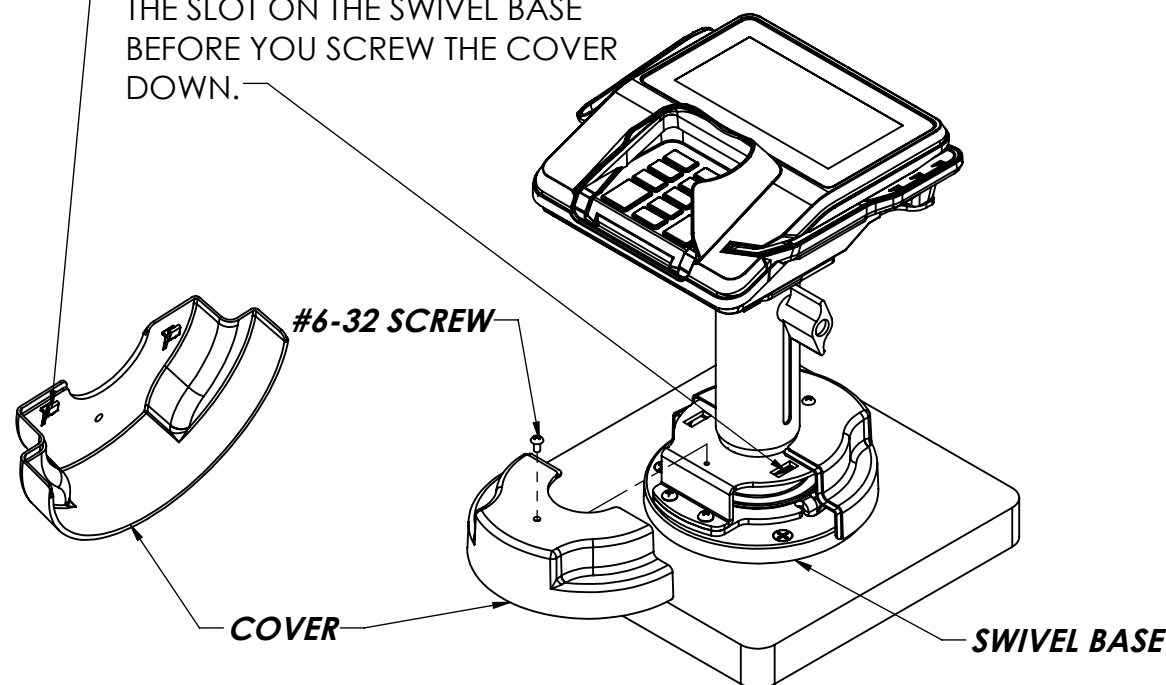
TOOL LIST:

1. #2 PHILLIPS SCREW OR DRILL DRIVER

ASSEMBLY STEPS:

1. ASSEMBLE THE **COVER** TO THE **SWIVEL BASE** USING A **#6-32 SCREW** AS SHOWN.
2. REPEAT ON OTHER SIDE

MAKE SURE YOU ENGAGE THE HOOK UNDER THE COVER INTO THE SLOT ON THE SWIVEL BASE BEFORE YOU SCREW THE COVER DOWN.



#6-32 SCREW

COVER

SWIVEL BASE

STEP 2

DWG. NO.
367-2408

REV.
D

TITLE

**TELESCOPING STAND
VERIFONE MX915/MX925/M424/M425**



SHEET 1 OF 1

REVISIONS				
REV	DESCRIPTION	DATE	BY	CHK'D
D		06/20/16	JEB	JEB

CUSTOMER INSTRUCTIONS