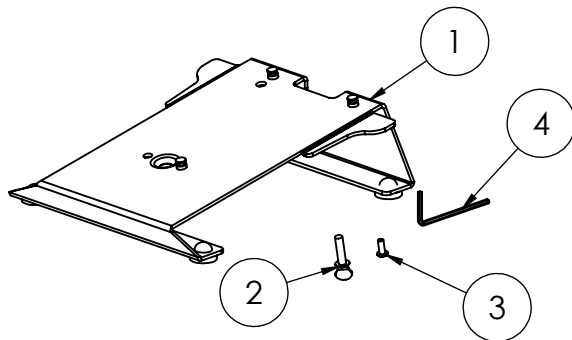
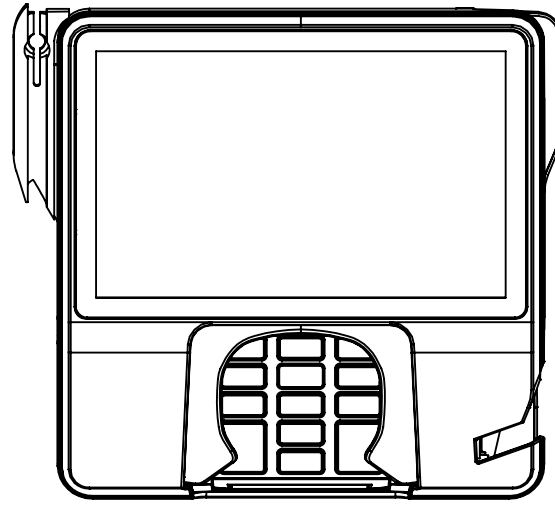


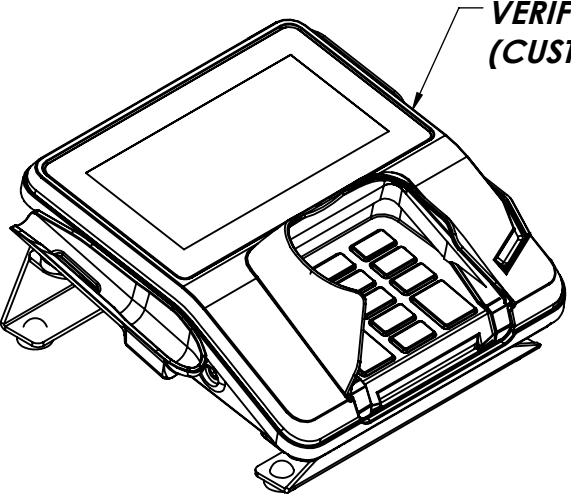
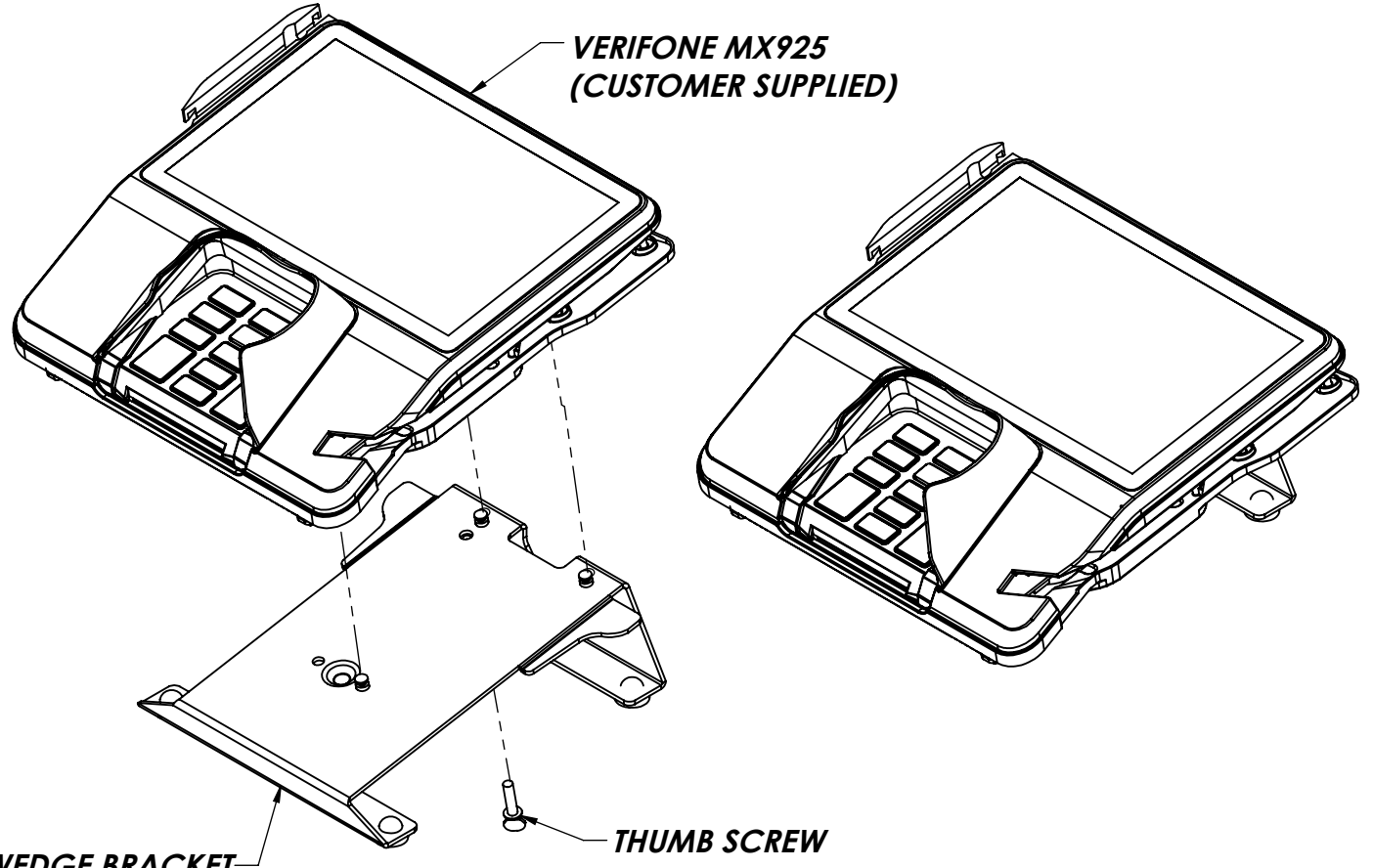
8 7 6 5 4 3 2 1



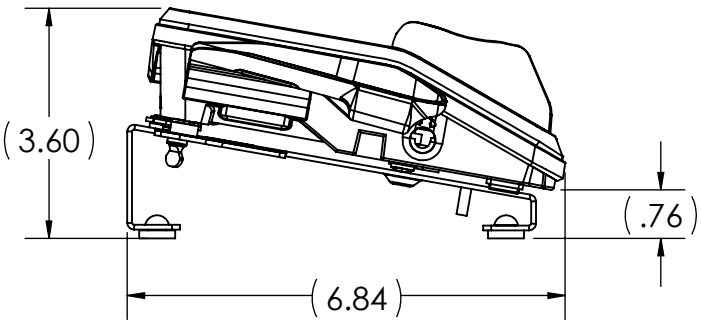
- PARTS INCLUDED WITH 367-2439**
- 1. WEDGE BRACKET WITH RUBBER FEET
 - 2. THUMB SCREW
 - 3. M3 X 8MM LONG BUTTON HEAD SCREW
 - 4. 2MM HEX WRENCH



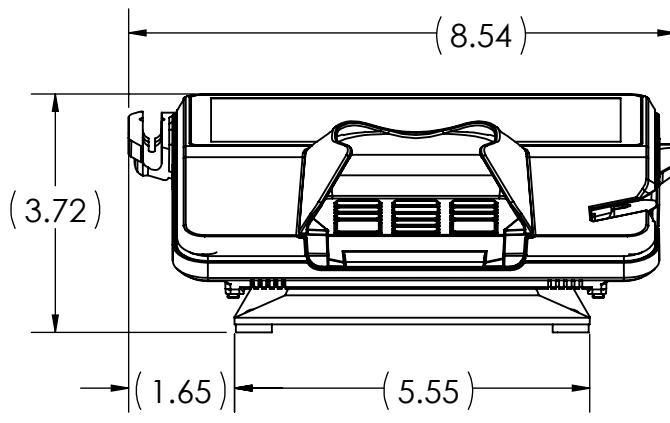
TOP VIEW
SHOWN WITH MX925



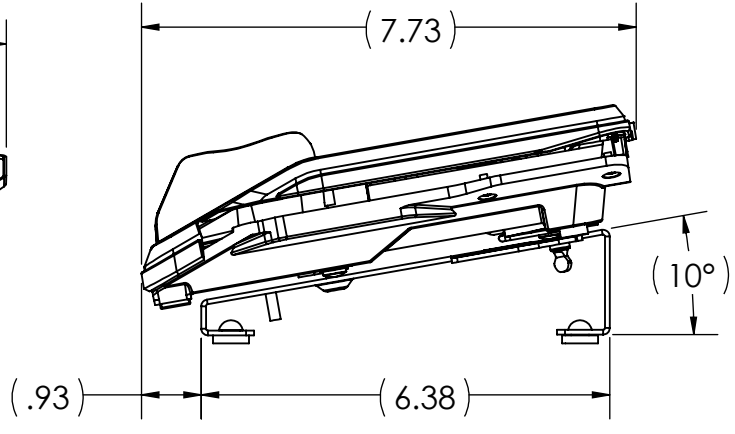
VERIFONE MX915
(CUSTOMER SUPPLIED)



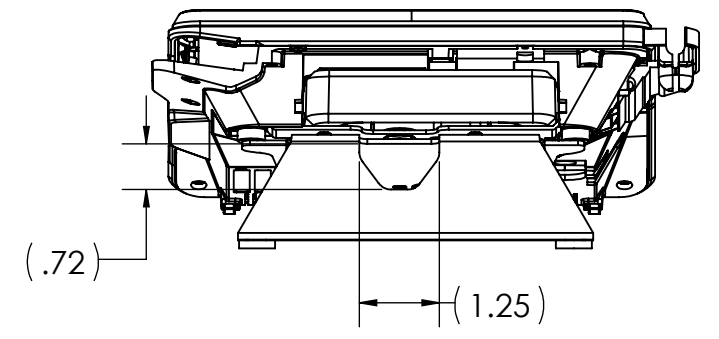
LEFT VIEW
SHOWN WITH MX915



FRONT VIEW
SHOWN WITH MX925



RIGHT VIEW
SHOWN WITH MX925

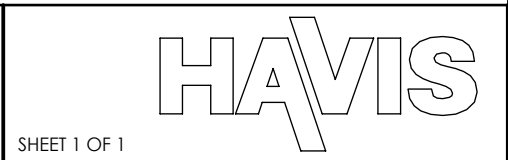


BACK VIEW
SHOWN WITH MX925

CUSTOMER APPROVAL
(SIGNATURE REQUIRED):

DWG. NO. **367-2439**
REV. **D**
DRAWN **A. MCLAUGHLIN**
DATE **3/19/2012**

TITLE
**10 DEG WEDGE
VERIFONE MX915/MX925/M424/M425**



REVISIONS				
REV	DESCRIPTION	DATE	BY	CHK'D
D	ADDED WINGS	12/14/12	JEB	JEB

CUSTOMER VERIFICATION

8 7 6 5 4 3 2 1