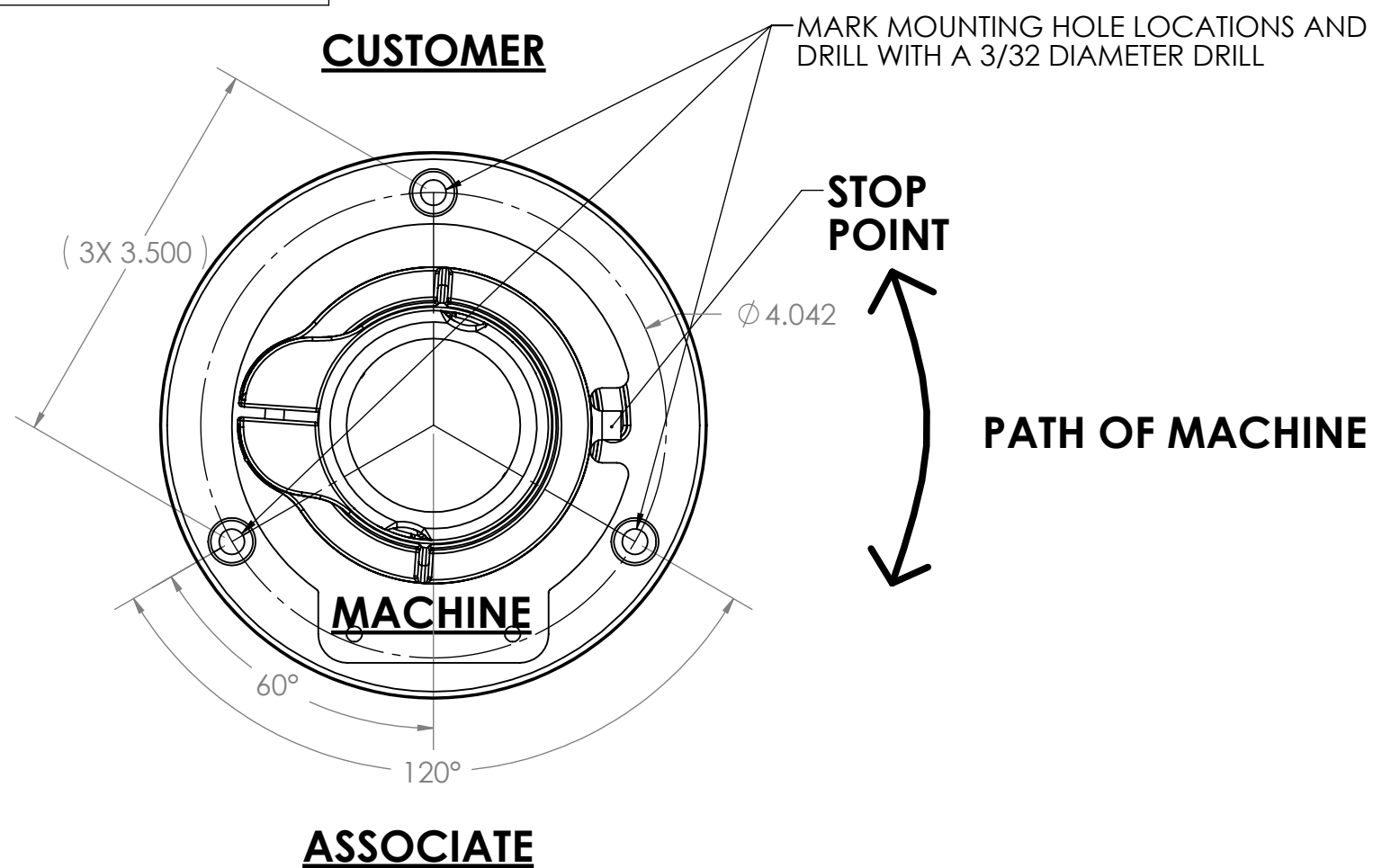
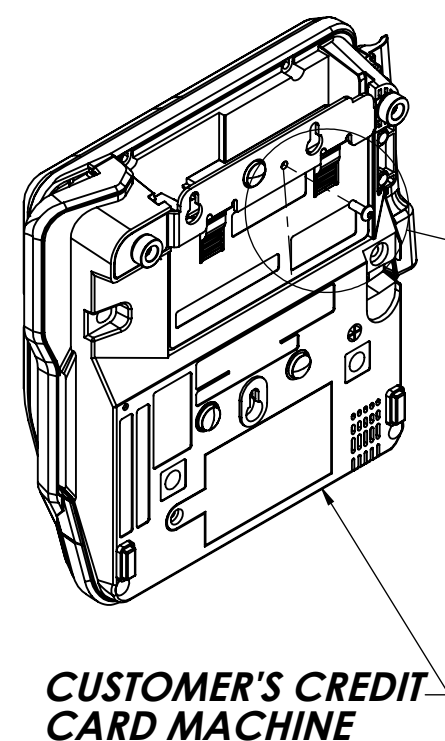
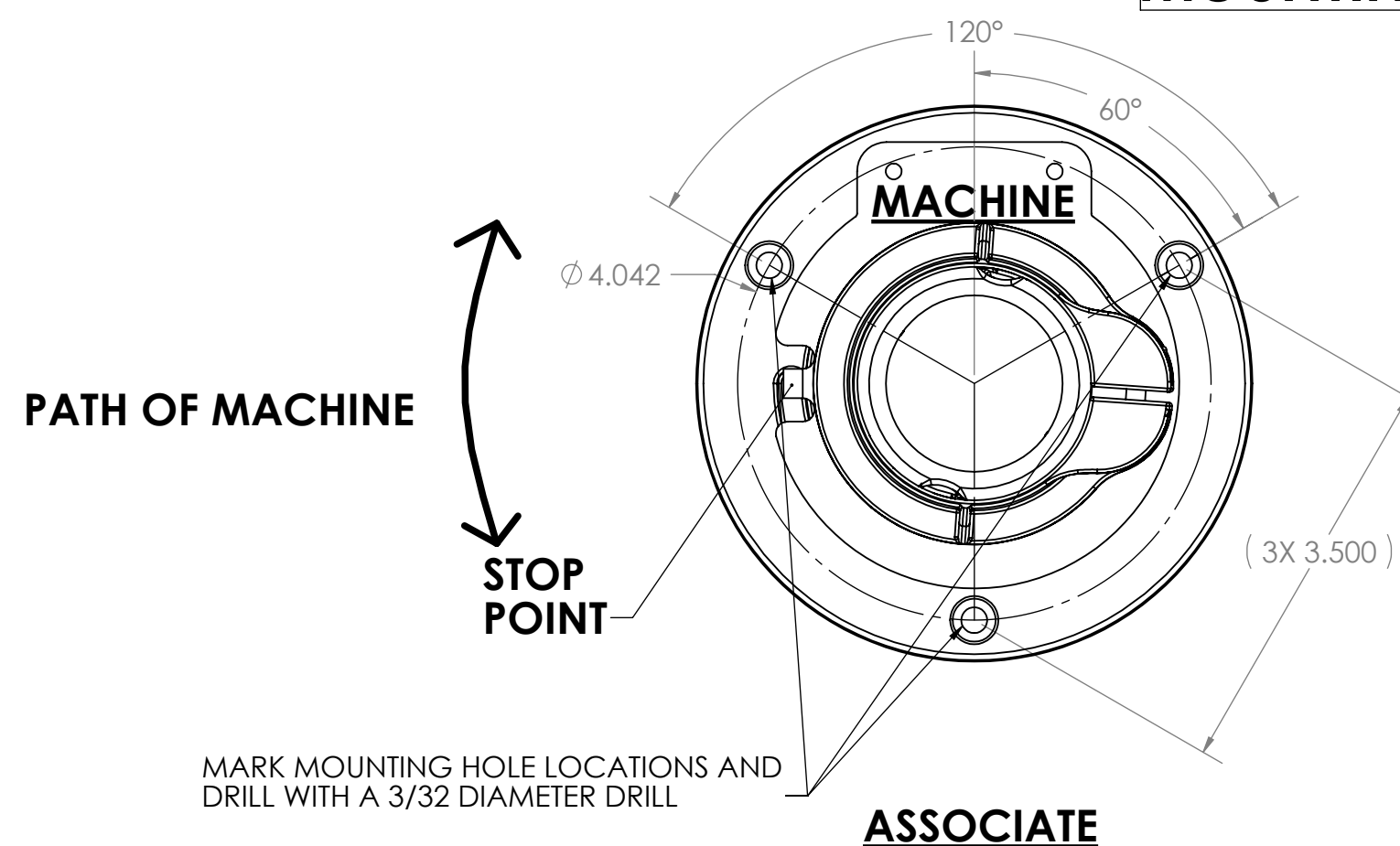


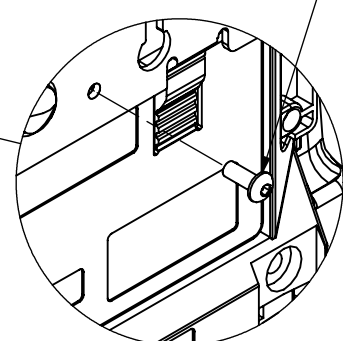
MOUNTING OPTION #1



CUSTOMER MOUNTING OPTION #2



M3 X 8MM BUTTON HEAD CAP SCREW



CUSTOMER'S CREDIT CARD MACHINE

3X KEYHOLE STANDOFFS

M3 X 8MM BUTTON HEAD CAP SCREW

3X #10 X 1.00" LONG TAMPER RESISTANT WOOD SCREWS

HINGED REAR LOCKING BRACKET

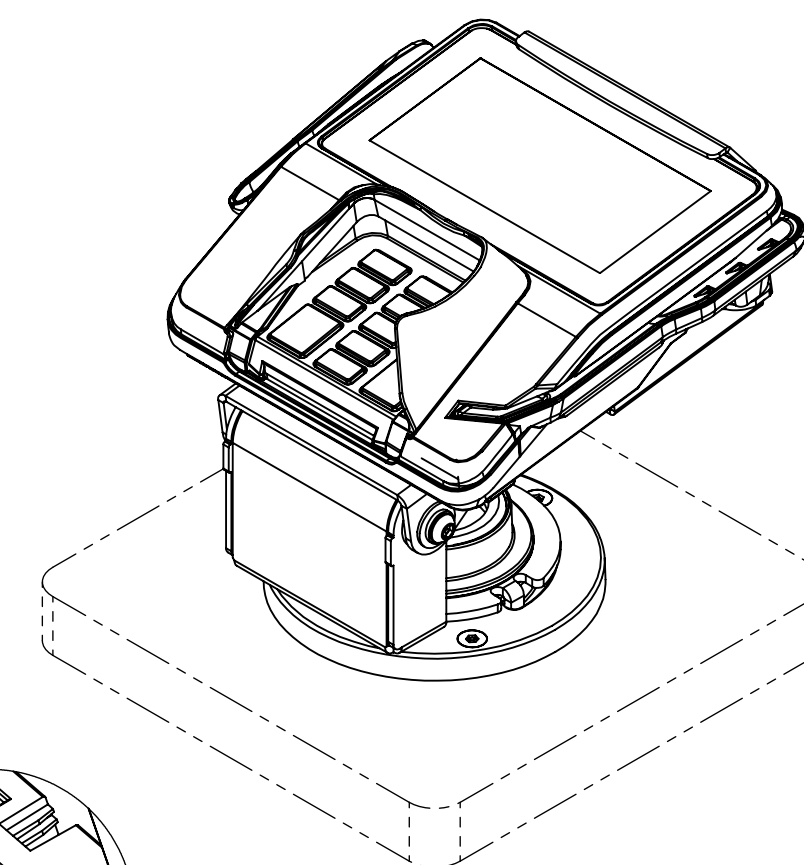
#8-32 X .25" LONG PHILLIPS SCREW

CABLE CLIP

MACHINE CABLE

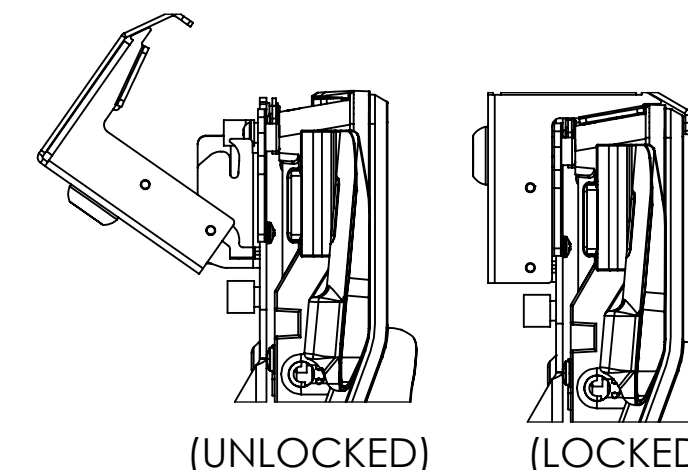
SWIVEL BASE

PRE-INSTALLED WIRE HARNESS



MACHINE CABLE

DETAIL B



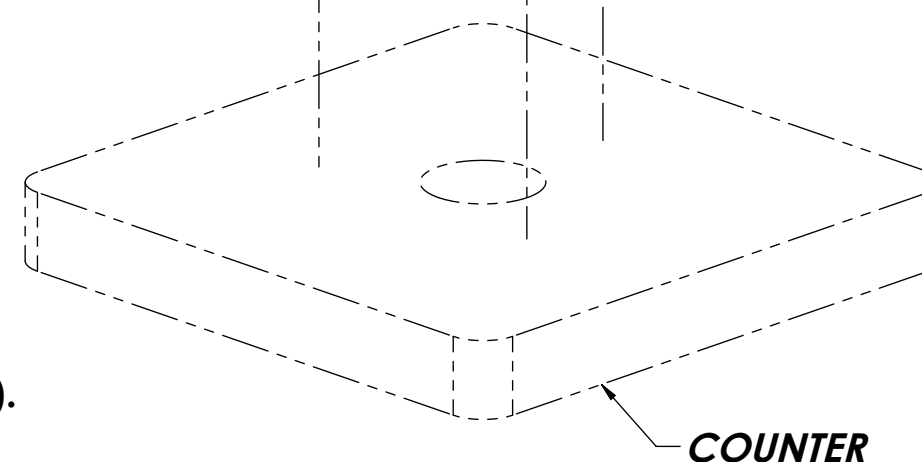
DETAIL C

TOOLS LIST:

- 5/32 TAMPER RESISTANT HEX WRENCH (ENS P/N 367-1046) OR 5/32 TAMPER RESISTANT HEX BIT (ENS P/N 367-1102) WITH SOCKET DRIVER. ENS PARTS EACH ORDERED SEPARATELY.
- #2 PHILLIPS SCREW DRIVER
- 2.0MM SHORT ARM WRENCH (PROVIDED)

ASSEMBLY STEPS:

- ROTATE THE **SWIVEL BASE** LEFT OR RIGHT TO THE STOP POINT AND THEN COMPARE IT TO THE ILLUSTRATIONS ABOVE TO DETERMINE WHICH WAY YOU WANT IT TO ROTATE.
- ASSEMBLE THE **SWIVEL BASE** TO THE **COUNTER** BY USING THE **3X #10 X 1.00" LONG TAMPER RESISTANT WOOD SCREWS** AS SHOWN **MAKING SURE IT IS IN THE CORRECT ORIENTATION BEFORE YOU SCREW IT TO THE COUNTER.**
- INSTALL THE **M3 X 8MM BUTTON HEAD CAP SCREW** TO THE UNDERSIDE OF THE **CUSTOMER'S CREDIT CARD MACHINE** (SEE **DETAIL A**).
- MOVE **HINGED REAR LOCKING BRACKET** TO THE UNLOCKED POSITION AND ROUTE THE **MACHINE CABLE** THROUGH THE **PRE-INSTALLED WIRE HARNESS** AS SHOWN IN **DETAIL B**.
- ASSEMBLE THE **CUSTOMER'S CREDIT CARD MACHINE** TO THE **SWIVEL BASE** BY SLIDING IT ONTO THE **3X KEYHOLE STANDOFFS** AS SHOWN. THIS ENSURES THE PROPER FUNCTION OF THE **HINGED REAR LOCKING BRACKET**.
- MOVE **HINGED REAR LOCKING BRACKET** INTO PLACE AND LOCK AS SHOWN IN **DETAIL C**.
- ROUTE THE **MACHINE CABLE** THROUGH THE **CABLE CLIP** AND INSTALL USING THE **#8-32 X .25" LONG PHILLIPS SCREW** AS SHOWN.



DIMS. AND TOLERANCES PER ASME Y14.5 - 1994	UNLESS OTHERWISE SPECIFIED DIMENSIONS ARE IN INCHES TOLERANCES ARE:
FRACTIONAL ± 1/32	2 PLC. DEC. ± .03
3 PLC. DEC. ± .010	ANGULAR ± 0°30'

THE INFORMATION CONTAINED IN THIS DRAWING IS THE SOLE PROPERTY OF HAVIS AND REPRODUCTION IN PART OR IN WHOLE WITHOUT THE WRITTEN PERMISSION OF HAVIS IS PROHIBITED.

REV.	DESCRIPTION	DATE	BY	CHK'D
E		06/20/16	SCB	SCB
DRAWN A. MCLAUGHLIN		DATE 5/28/2014		
CHECKED		DATE		
DO NOT SCALE DRAWING		TITLE		
MATERIAL N/A		CUSTOMER INSTRUCTIONS, LOW CONTOUR 8°-90°, WITH REAR LOCKING PLATE, CENTER HOLE SWIVEL STAND, ANTI-SKIMMING FEATURE, EMV CARD CLEARANCE, VERIFONE MX915		
FINISH N/A		SIZE C		REV. E
		DWG. NO. 367-3046		SHEET 1 OF 1