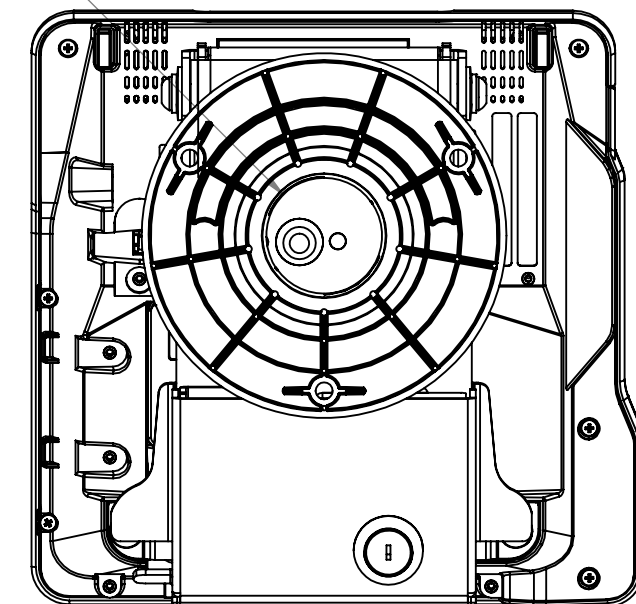
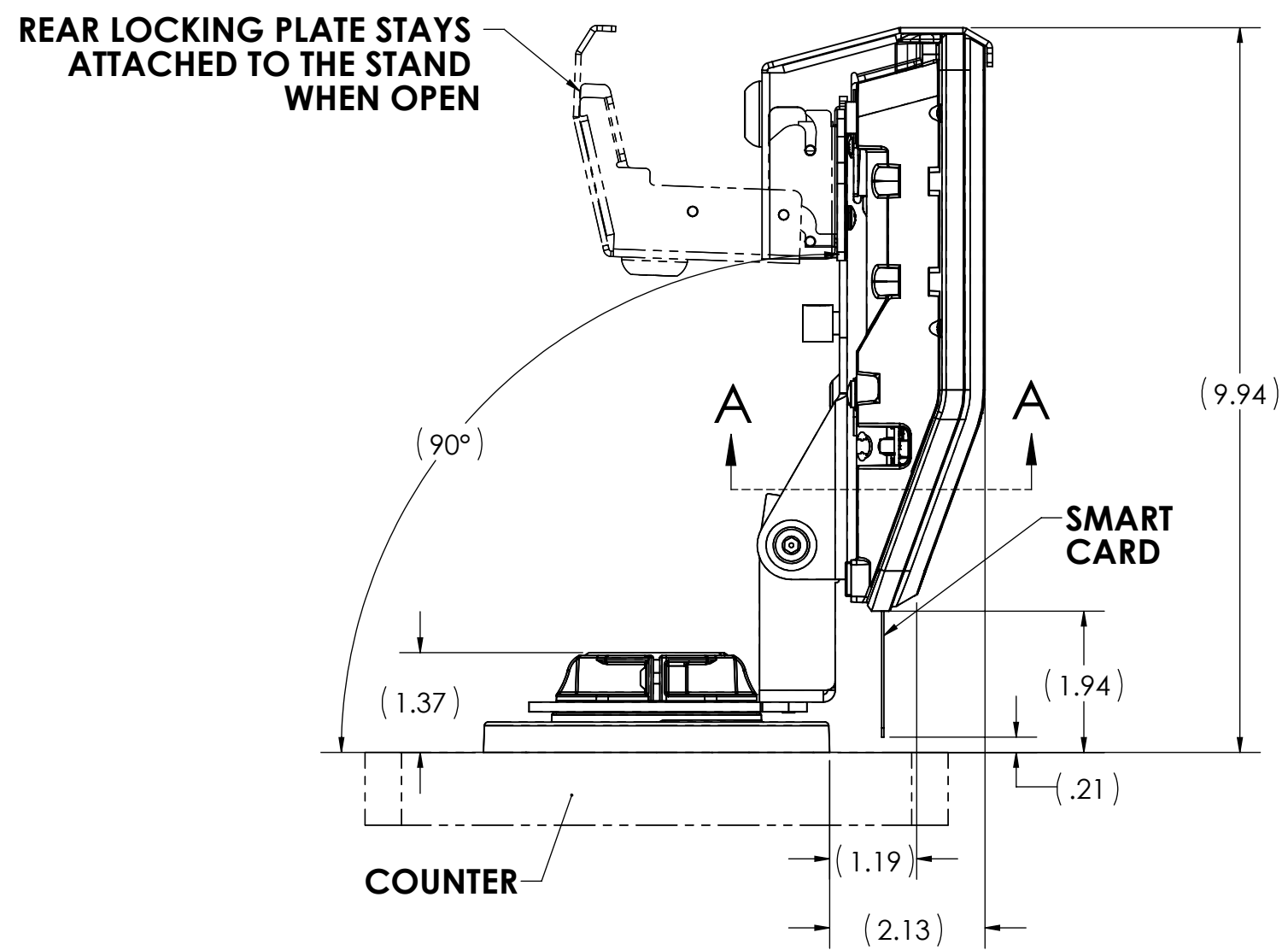
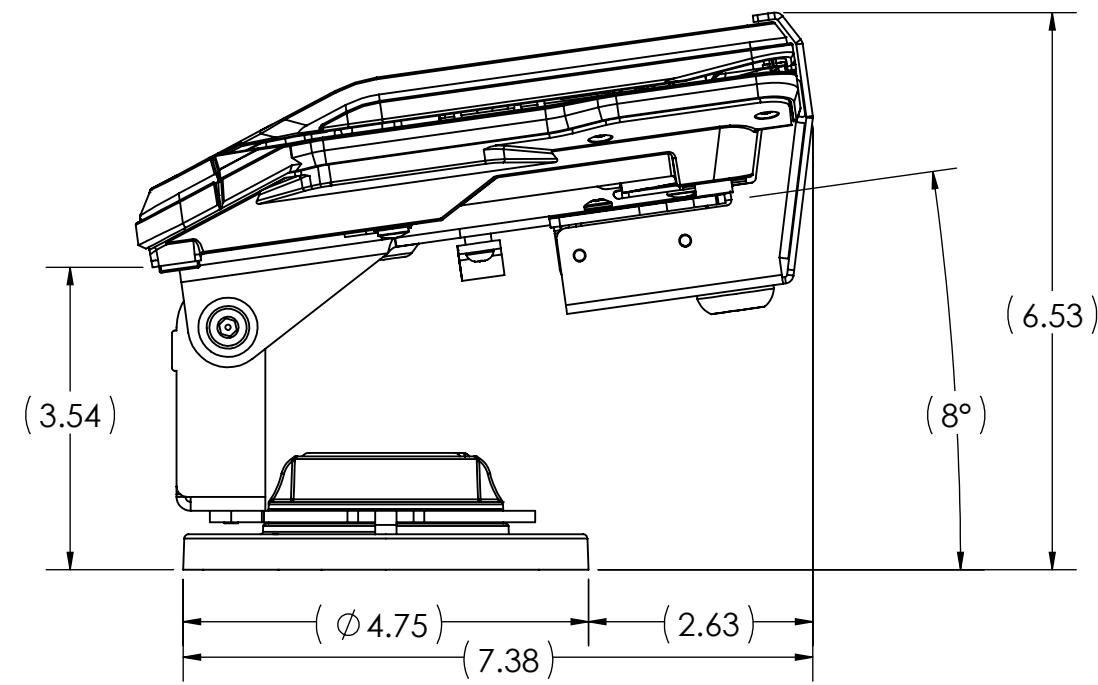


( $\phi$  1.51)  
(CABLE ENTRY/EXIT)



**BOTTOM VIEW**



**REVISION F CHANGES = (F)**  
(1 CHANGE NOTED ON DRAWING)

**ROHS COMPLIANT**



**CUSTOMER VERIFICATION AND AUTHORIZATION**

THE INFORMATION CONTAINED IN THIS DRAWING IS THE SOLE PROPERTY OF HAVIS AND REPRODUCTION IN PART OR IN WHOLE WITHOUT THE WRITTEN PERMISSION OF HAVIS IS PROHIBITED.

REV.	DESCRIPTION	DATE	BY	CHK'D
F	REVISED PIVOT MOUNT ASSEMBLY FOR IMPROVED PIVOTING PERFORMANCE	06/20/16	JEB	SCB
E	REVISED REAR LOCKING PLATE TO ACCOMMODATE VERIFONE MX925 UPDATE	02/04/15	AN	AZM
D	REVISED PIVOT BRACKET FOR FIT AND FUNCTION WITH SMART CARDS, REVISED FIXED LOCKING BRACKET FOR IMPROVED FUNCTION, DIM 9.94 WAS 9.49, 1.94 WAS 1.49, 3.54 WAS 3.09, 6.53 WAS 12/08/14	12/08/14	JEB	SY
	6.08, .21 WAS .25 INTERFERENCE			

DRAWN A. MCLAUGHLIN		<b>HAVIS</b>	
DATE	5/27/2014		
CUSTOMER APPROVAL (SIGNATURE REQUIRED):		TITLE	
		LOW CONTOUR 8°-90°, WITH REAR LOCKING PLATE, CENTER HOLE SWIVEL STAND, ANTI SKIMMING FEATURE, EMV CARD CLEARANCE, VERIFONE MX925	
DATE	SIZE	DWG. NO.	REV.
	C	367-3047	F
			SHEET 1 OF 1