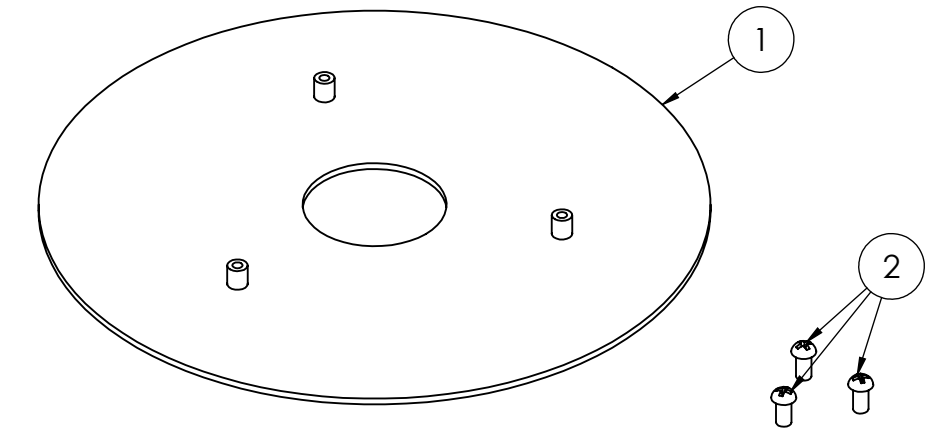


8 7 6 5 4 3 2 1

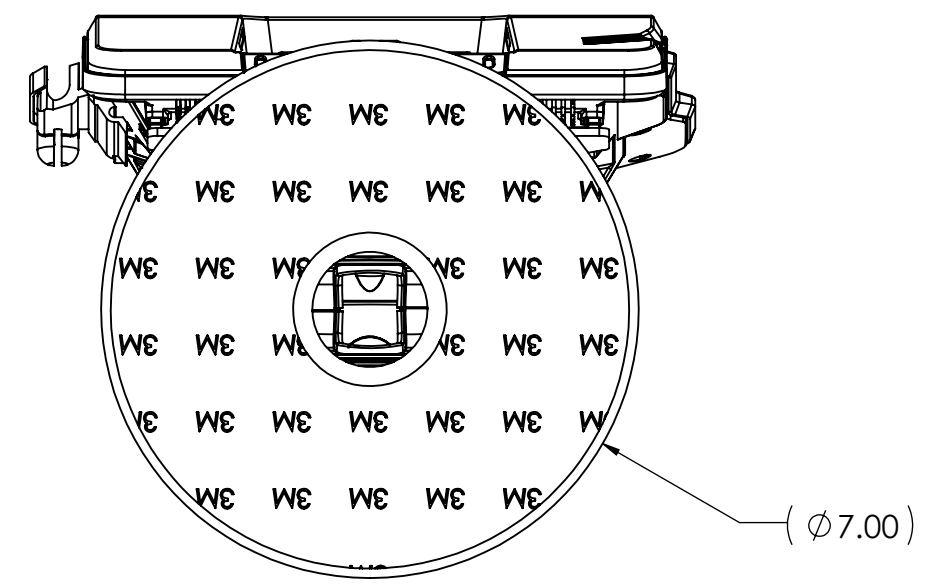
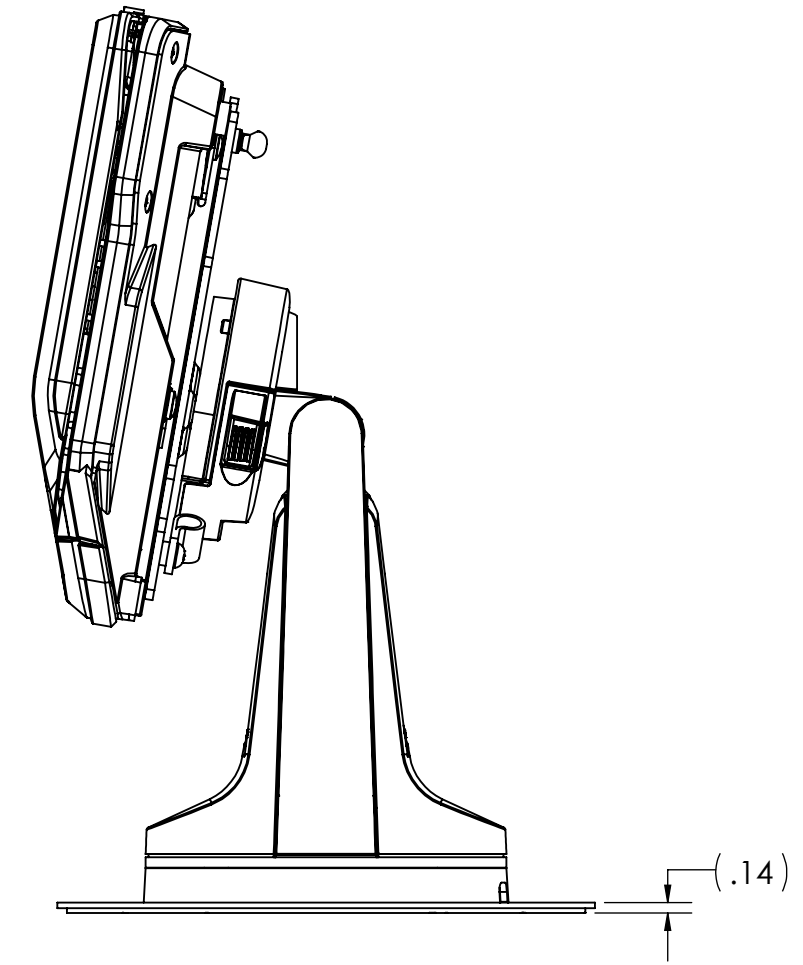
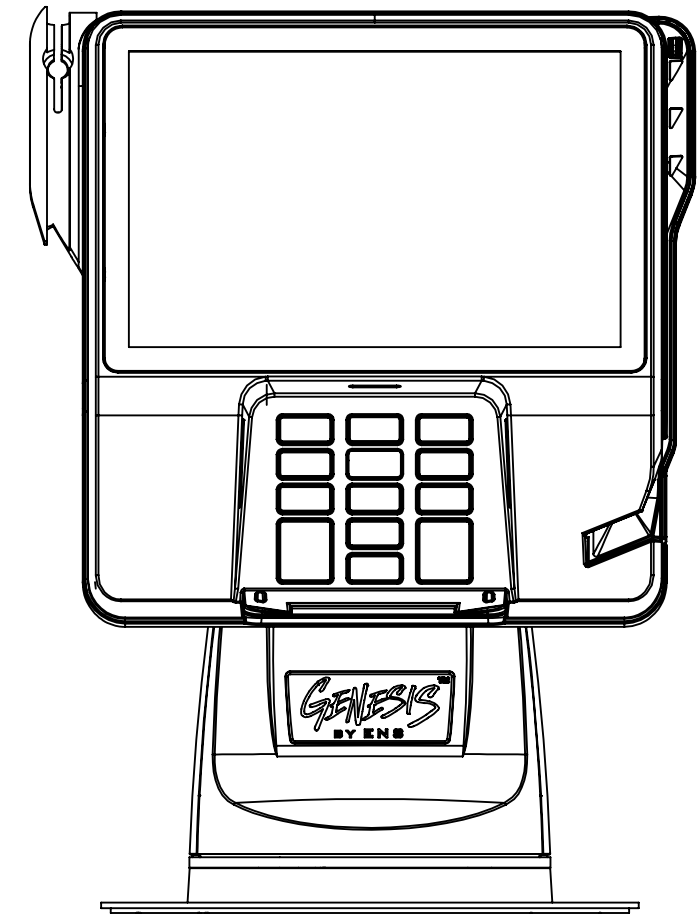


- 367-0731 PRODUCT INCLUDES:**
1.  $\varnothing 7.00$ " METAL BASE WITH GLUE PAD
  2. 3X #6-32 X .31" LONG PHILLIPS SCREWS

CUSTOMER'S EXISTING  
PAYMENT TERMINAL

3X #6-32 X .31" LONG  
PHILLIPS SCREWS


$\varnothing 7.00$ " METAL BASE  
WITH GLUE PAD



THE INFORMATION CONTAINED IN THIS DRAWING IS THE SOLE PROPERTY OF HAVIS AND REPRODUCTION IN PART OR IN WHOLE WITHOUT THE WRITTEN PERMISSION OF HAVIS IS PROHIBITED.  
ALL DIMENSIONS ARE IN INCHES UNLESS STATED OTHERWISE.



**CUSTOMER VERIFICATION AND AUTHORIZATION**

B	REVISED ENS0731A, ENS0731B, ENS0731C	9/22/05	JGC	AZM
A	FIRST PROTOTYPE RELEASE	07/19/05	JGC	
REV.	DESCRIPTION	DATE	BY	CHK'D
DRAWN J. CHRISTOPHERSON				
DATE	7/19/2005			
CUSTOMER APPROVAL (SIGNATURE REQUIRED):		TITLE		
		7.00" DIAMETER METAL BASE, WITH GLUE PAD		
DATE	SIZE C	DWG. NO. 367-0731-G	REV. B	SHEET 1 OF 1

F  
E  
D  
C  
B  
A

F  
E  
D  
C  
B  
A

8 7 6 5 4 3 2 1